

CONTA-BOX

Housings



Catalogue 07

 **CONTA CLIP**

Our company	3
<hr/>	
The advantages online	4
<hr/>	
Globally available for you	5
<hr/>	
Catalogues	6
<hr/>	
Housing systems	8
<hr/>	
ABS housing CG	10
Polycarbonate housing CG-PC	
<hr/>	
Polystyrene housing CK	20
<hr/>	
Polycarbonate housing CK-PC	30
<hr/>	
Polycarbonate housing CK-PC PV	38
<hr/>	
Polycarbonate housing CK-PC	40
<hr/>	
Polyester housing CP	42
<hr/>	
ABS housing CT	54
Polycarbonate housing CM	
<hr/>	
Aluminium housing CA	64
<hr/>	
Metric cable gland system KV/M	78
<hr/>	
Cable gland system KV/PG	84
<hr/>	



CONTA-CLIP – Thinking ahead with connection technology

CONTA-CLIP was founded in 1978. We operate globally as an owner-operated medium-sized company.

Users of electrical and electronic connection systems trust our reliable products and our many years of industrial and global market expertise.

Our company is now one of the most important manufacturers in the field.

For over 40 years, our components and solutions have been used in process and industrial automation applications, including: railway technology, materials handling, building automation, air conditioning, mechanical and facility engineering, measurement and control technology, control panel construction, shipbuilding, transformer construction and environmental technology.

Over the years, we have evolved into an innovator that sets the tone with new ideas and creative impulses.

Our employees come from a wide variety of industries and are true connectivity specialists. They understand the specific problems, requirements and challenges of our customers. This results in communication among equals.

The profits then flow into the development of new products and into modern, efficient manufacturing processes.

High quality standards throughout all departments are our top priority.

Our top-class products are supported by this interplay between top-class men and machinery. We have also designed our range of services to align with customer needs.

Our products are divided into six categories: CONTA-CONNECT for terminals and accessories, CONTA-CABLE cable management systems, CONTA-ELECTRONICS for electrical and electronic cabinet components, CONTA-LABEL for marking systems, CONTA-BOX for housings, and CONTA-CON for PCB terminals and connectors.

We design customer-specific solutions for electronics, provide completely assembled housings and assemblies as needed, assemble terminal blocks for series production, and quickly handle component labelling tasks.

We greet these challenges with passion and enthusiasm, because we see each customer as our partner.

CONTA-CLIP customer representatives are always ready to offer their support to the customer, because service and helpfulness are rooted deeply in our corporate philosophy.

Advantage online: the CONTA-CLIP Online Catalogue

No matter where you are, as long as you're online you can access our digital catalogue to look at our services and quickly identify suitable solutions for your requirements.

Fast results Use the full-text search, enter an order number or use the convenient "step-by-step" feature search function.

Project planning at a glance: After you've selected the products, all the master data for the materials (sales data, technical data, drawings, connection diagrams, classifications and approvals) are made available as a data sheet or export file.

Detailed inquiries about components can be sent via the shopping cart directly to our headquarters. Upon request, you will receive an e-mailed copy of your inquiry.

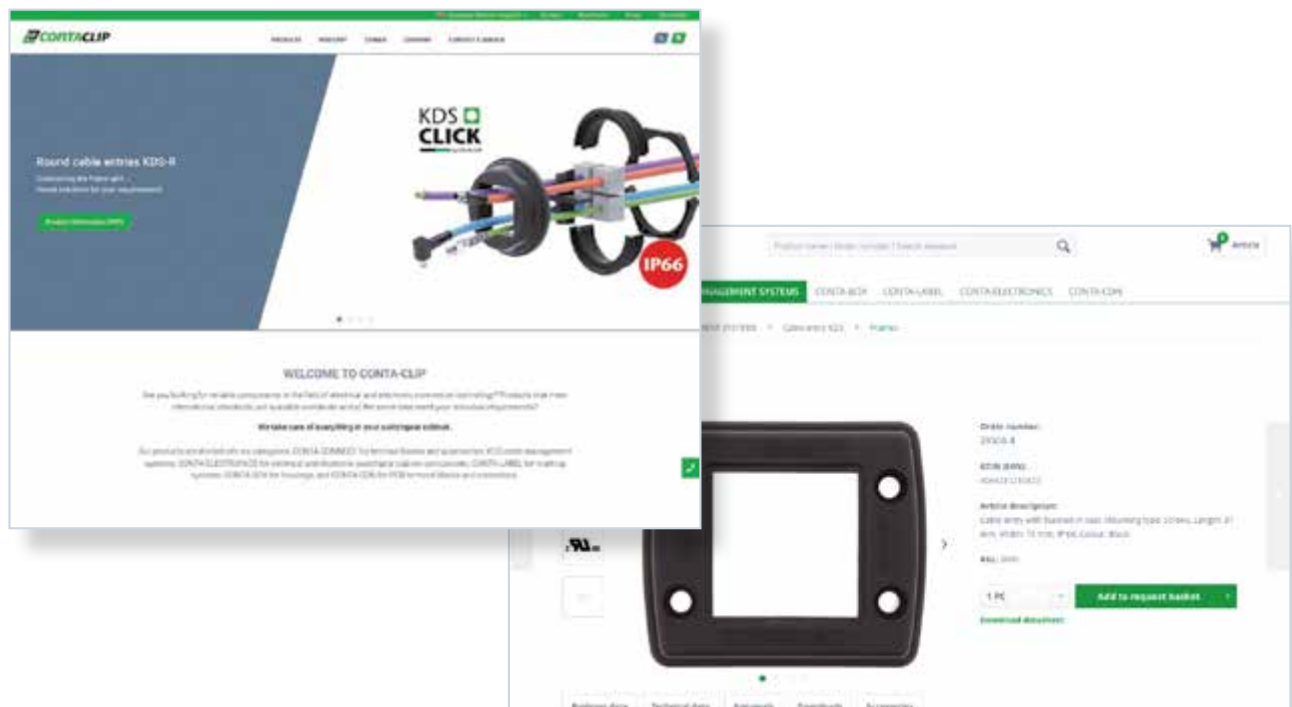
Application films: Complex functions be explained easily and clearly with sounds and images.

Printed catalogue: Would you like an offline overview? Please ask for our free printed catalogues.

Industry-specific: You will find the solutions that are relevant for your industry, according to your expertise.

Newsletter: Do you want to stay up to date? Subscribe to our newsletter! Simply register, confirm our authentication e-mail, and you'll be regularly informed about all CONTA-CLIP news.

Discover how the world of CONTA-CLIP and our website can deliver added value for you and your projects!



Globally available for you

Are you working abroad? No problem. Our worldwide sales and distribution partners help us to be globally networked and provide on-time reliable deliveries. Simply scan the QR code shown and you'll learn on our website about the sales partner responsible for your country.



Our locations in Africa

- Algeria
- Morocco
- South Africa

Our locations in Asia

- Bahrain
- China
- Hong Kong
- India
- Israel
- Jordan
- Malaysia
- Oman
- Pakistan
- Qatar
- Saudi Arabia
- Singapore
- South Korea
- Taiwan
- Turkey
- United Arab Emirates

Our locations in Oceania

- Australia
- New Zealand

Our locations in Europe

- Austria
- Belarus
- Belgium
- Bulgaria
- Croatia
- Czech Republic
- Denmark
- Finland
- France
- Germany
- Great Britain
- Greece
- Hungary
- Iceland
- Ireland
- Italy
- Latvia
- Netherlands
- Norway

- Poland
- Portugal
- Romania
- Russia
- Serbia
- Slovakia
- Slovenia
- Spain
- Sweden
- Switzerland
- Ukraine

Our locations in North America

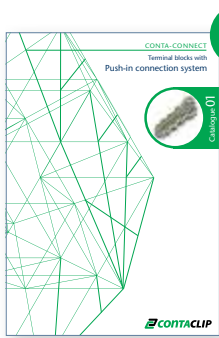
- Canada
- Mexico
- United States

Our locations in South America

- Bolivia
- Brazil
- Chile
- Columbia
- Ecuador

A complete line of products to meet your demands

The CONTA-CLIP Catalogues



01

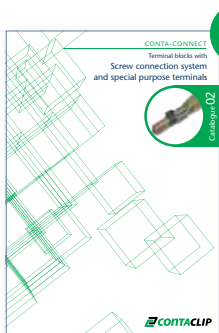
CONTA-CONNECT

Terminal blocks with push-in connection system

Our wide range of innovative PRK and FRK terminal blocks with the Push-in connection system include feed-through terminals, PE terminals, disconnect terminals, fused terminals, multi-level terminals, installation terminals and initiator terminals, for conductor cross-sections from 0.2 mm² to 25 mm².



Cat. no. 98070.2



02

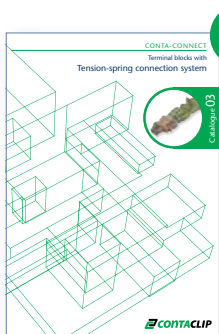
CONTA-CONNECT

Terminal blocks with screw connection system and special purpose terminals

Everything for classic wiring with screw connection system, also for high currents: SRK feed-through and PE terminals, RK high-temperature variants, TK transformer terminals, HSK high-power stud terminals and the SVB series screw distributor blocks.



Cat. no. 98071.2



03

CONTA-CONNECT

Terminal blocks with tension-spring connection system

Our versatile line of terminals with tension spring connections for conductor cross-sections from 0.2 mm² to 16 mm² includes: the ZRK/ZSL series of feed-through and PE terminals, the double-level ZRKD/ZSLD, the ZIKD three-level terminal blocks, motor-connection terminals, (blade-) disconnect terminals, fused terminals, direct-mount terminals, and initiator/actuator terminals for transmitting positioning, encoder and alert signals.



Cat. no. 98072.2



04

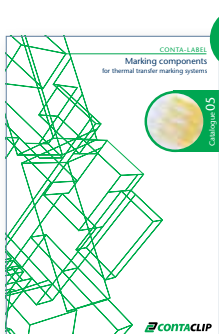
CONTA-CONNECT

Installation materials and other accessories for terminal blocks

Our installation products include cabling ducts, assembly tools, cable glands with metric or PG threads, DIN rails, rail cutters and punching tools. The terminal block accessories include different versions of end stops, wire-end ferrules, and connectors.



Cat. no. 98073.2



05

CONTA-LABEL

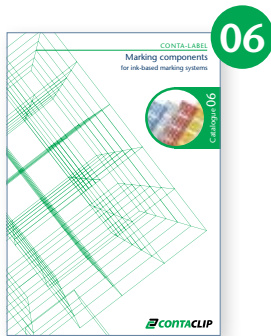
Marking components for thermal-transfer marking systems

CONTA-CLIP provides the TTPCard thermal-transfer printer and a large selection of PC, PVC and PVCF markers or labels in card format: for professional, permanent labelling of terminals, devices, conductors, cables, facilities and switchgear cabinets.



Cat. no. 98074.2

Our catalogues are available in many languages!

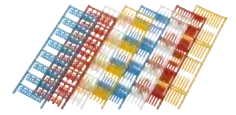


06

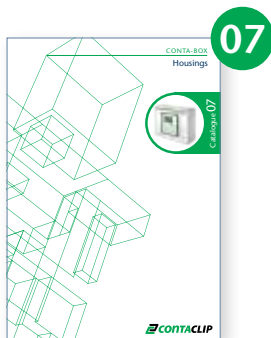
CONTA-LABEL

Marking components for ink-based marking systems

The CONTA-LABEL products provide polyamide markers for labelling conductors, cables, devices and facilities with ink print. These markers are available in many shapes and colours: in the classic MC Maxicard format for self-printing with the EMS plotter system EMS or other ink-jet systems, or ready-to-use customized printed in the PMC Pocket-Maxicard format.



Cat. no. 98075.2



07

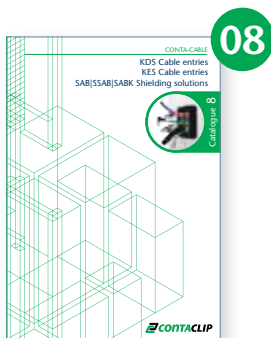
CONTA-BOX

Housings

Our wide variety of housings made of polystyrene, polycarbonate, polyester, ABS and aluminium deliver solutions for protecting electronic circuits, integrated devices and terminal blocks. On request, the housings can be custom-processed and assembled with our CONTA-CONNECT, CONTA-ELECTRONICS and CONTA-CON product lines.



Cat. no. 98076.2



08

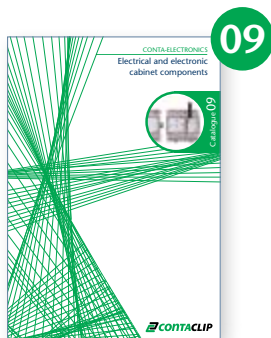
CONTA-CABLE

KDS cable entries, KES cable entries, SAB|SSAB|SABK shielding solutions

The KDS and KES cable entries enable a tool-free, IP66-sealed feed-through for unassembled and assembled cables and hoses. The feed-through openings can be adapted at any time to meet your requirements. The SAB shielded-connection clips can be used to provide a reliable shield contact with conductor diameters from 3 mm to 35 mm.



Cat. no. 98077.2



09

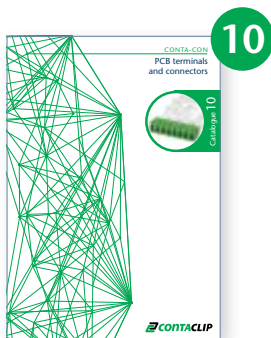
CONTA-ELECTRONICS

Electrical and electronic cabinet components

Our CONTA-ELECTRONICS products provide active and passive components for the transfer and conversion of analogue and digital signals at the coupling level. This product line includes power supplies, multi-function timing relays, coupling relays, digital switching modules, interface modules, opto-couplers, signal converters, GSM communication modules and much more.



Cat. no. 98078.2



10

CONTA-CON

PCB terminals and connectors

This catalogue presents our wide variety of CONTA-CON PCB terminals and connector systems. The modular components can be configured for any required number of poles. They are available in the wire connection types: wire protection, eccentric, clamping yoke, and (for demanding operating conditions) with tension-spring or Push-in wire termination. This product range is supplemented by the modular feed-through terminals of the SDK series.



Cat. no. 98079.2

Housing systems

Polystyrene / Polycarbonate / Polyester / ABS / Aluminium

CONTA-CLIP offers a wide range of housings of different sizes and materials for the protection of electronic circuitry, devices or terminals. The type of material to use is chosen based on the requirements of the application.

There are five different housing materials to choose from:

Polystyrene

Material:	polystyrene
Protection:	IP66
Toxicity characteristics:	halogen-free / cadmium-free
Temperature resistance:	-25° to +40°C
Flammability:	UL 94 V-2
Chemical resistance:	good
Sea water resistance:	good
UV resistance:	satisfactory



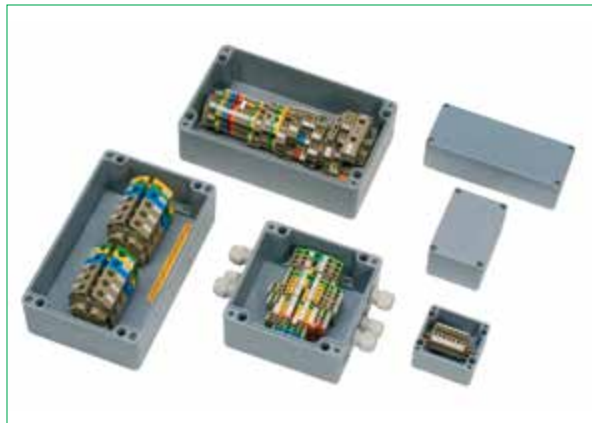
Polycarbonate

Material:	polycarbonate
Protection:	IP66
Toxicity characteristics:	halogen-free / cadmium-free
Temperature resistance:	-35°C to +80°C
Flammability:	UL 94 V-2
Chemical resistance:	good
Sea water resistance:	very good
UV resistance:	good



Polyester

Material:	polyester
Protection:	IP66
Toxicity characteristics:	halogen-free / cadmium-free
Temperature resistance:	-40° to +100°C
Flammability:	UL 94 V-0
Chemical resistance:	good
Sea water resistance:	very good
UV resistance:	good



ABS

Material:	ABS
Protection:	IP66
Toxicity characteristics:	halogen-free / cadmium-free
Temperature resistance:	-40° to +60°C
Flammability:	UL 94 HB
Chemical resistance:	good
Sea water resistance:	good
UV resistance:	satisfactory



Aluminium

Material:	aluminium (ALSI, DIN 1725)
Protection:	IP66
Toxicity characteristics:	halogen-free / cadmium-free
Temperature resistance:	-40° to +90°C
Flammability:	
Chemical resistance:	good
Sea water resistance:	good
UV resistance:	very good



Upon request, the housings are manufactured according to customer specifications and supplemented with products from **CONTA-CONNECT**, **CONTA-CABLE** or **CONTA-CON** product lines, which are then installed on mounting plates or DIN rails.

During the manufacture of the housings, we can carry out cuttings (milling), feed-through bore holes, thread connection bore holes or painting. Cable glands or external joints can also be attached when needed.

Our consistent high level of quality is ensured by our selection of the finest materials and our continuous quality management control system.

ABS housing CG | Polycarbonate housing CG-PC

ABS housing | Polycarbonate housing

- 9 basic housings in different heights
- High-quality design with a noble, high-gloss look
- Grey or transparent cover
- Material: optionally ABS (CG) or polycarbonate (CG-PC)
- Smooth side walls for improved flexibility
- Attachment tabs in the normal, commercially available positions
- Stainless steel quick release saves time
- Recess in the lid enables design foil or membrane keyboard to be attached
- Cover retainer prevents loss
- Your choice of fastening mechanism
- A comprehensive line of accessories



Technical data for the ABS housing CG

Material
Protection
Toxicity characteristics
Flamm. class acc. to UL 94
Thermal stability
Chemical resistance
Sea water resistance
UV resistance
Colour
Impact resistance

ABS
IP66/IP67 - acc. to EN60529 / DIN VDE 0470-1
Contains no heavy metals, PVC or silicone
HB
-25 °C to +40 °C
good
very good
good
grey, similar to RAL 7035
IK07 acc. to EN 5012 / VDE 0470

Outer dimensions		Dimensional diagram	
L	W	H	Page
84	82	55	11
84	82	85	11
122	82	55	12
122	82	85	12
124	122	55	13
124	122	85	13
162	82	55	14
162	82	85	14
162	122	90	15
202	122	75	15
202	122	90	16
202	152	90	16
252	162	90	17
252	162	120	17
302	232	90	18
302	232	110	18

ABS	
Type	Cat. no.
CK 88/55 OV	31000.3
CK 88/85 OV	31002.3
CK 1208/55 OV	31004.3
CK 1208/85 OV	31006.3
CK 1212/55 OV	31008.3
CK 1212/85 OV	31010.3
CK 1608/55 OV	31012.3
CK 1608/85 OV	31014.3
CK 1612/90 OV	31016.3
CK 2012/75 OV	31018.3
CK 2012/90 OV	31020.3
CK 2015/90 OV	31022.3
CK 2516/90 OV	31024.3
CK 2516/120 OV	31026.3
CK 3023/90 OV	31028.3
CK 3023/110 OV	31030.3

Polycarbonate cover, transparent	
Type	Cat. no.
CG 88/55 OVT	31001.3
CG 88/85 OVT	31003.3
CG 1208/55 OVT	31005.3
CG 1208/85 OVT	31007.3
CG 1212/55 OVT	31009.3
CG 1212/85 OVT	31011.3
CG 1608/55 OVT	31013.3
CG 1608/85 OVT	31015.3
CG 1612/90 OVT	31017.3
CG 2012/75 OVT	31019.3
CG 2012/90 OVT	31021.3
CG 2015/90 OVT	31023.3
CG 2516/90 OVT	31025.3
CG 2516/120 OVT	31027.3
CG 3023/90 OVT	31029.3
CG 3023/110 OVT	31031.3

Technical data for the polycarbonate housing GC-PC

Material
Protection
Toxicity characteristics
Flamm. class acc. to UL 94
Thermal stability
Chemical resistance
Sea water resistance
UV resistance
Colour
Impact resistance

Polycarbonate
IP66/IP67 - acc. to EN60529 / DIN VDE 0470-1
Contains no heavy metals, PVC or silicone
V-2 (5V ₁)
-35° to +80 °C
good
good
satisfactory
grey, similar to RAL 7035
IK08 acc. to EN 5012 / VDE 0470

Outer dimensions		Dimensional diagram	
L	W	H	Page
84	82	55	11
84	82	85	11
122	82	55	12
122	82	85	12
124	122	55	13
124	122	85	13
162	82	55	14
162	82	85	14
162	122	90	15
202	122	75	15
202	122	90	16
202	152	90	16
252	162	90	17
252	162	120	17
302	232	90	18
302	232	110	18

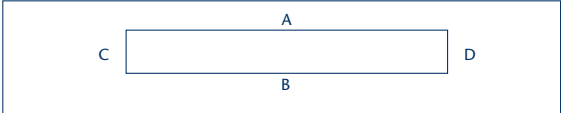
Polycarbonate	
Type	Cat. no.
CG-PC 88/55 OV	31032.2
CG-PC 88/85 OV	31034.2
CG-PC 1208/55 OV	31036.2
CG-PC 1208/85 OV	31038.2
CG-PC 1212/55 OV	31040.2
CG-PC 1212/85 OV	31042.2
CG-PC 1608/55 OV	31044.2
CG-PC 1608/85 OV	31046.2
CG-PC 1612/90 OV	31048.2
CG-PC 2012/75 OV	31050.2
CG-PC 2012/90 OV	31052.2
CG-PC 2015/90 OV	31054.2
CG-PC 2516/90 OV	31056.2
CG-PC 2516/120 OV	31058.2
CG-PC 3023/90 OV	31060.2
CG-PC 3023/110 OV	31062.2

Polycarbonate cover, transparent	
Type	Cat. no.
CG-PC 88/55 OVT	31033.2
CG-PC 88/85 OVT	31035.2
CG-PC 1208/55 OVT	31037.2
CG-PC 1208/85 OVT	31039.2
CG-PC 1212/55 OVT	31041.2
CG-PC 1212/85 OVT	31043.2
CG-PC 1608/55 OVT	31045.2
CG-PC 1608/85 OVT	31047.2
CG-PC 1612/90 OVT	31049.2
CG-PC 2012/75 OVT	31051.2
CG-PC 2012/90 OVT	31053.2
CG-PC 2015/90 OVT	31055.2
CG-PC 2516/90 OVT	31057.2
CG-PC 2516/120 OVT	31059.2
CG-PC 3023/90 OVT	31061.2
CG-PC 3023/110 OVT	31063.2

ABS housing CG | Polycarbonate housing CG-PC

CG 88/55 CG-PC 88/55		
Type	Cat. no.	Wt.
CK 88/55 OV	31000.3	128 g
CG-PC 88/55 OV	31032.2	142 g
CG 88/55 OVT	31001.3	133 g
CG-PC 88/55 OVT	31033.2	142 g

Threaded drill hole options

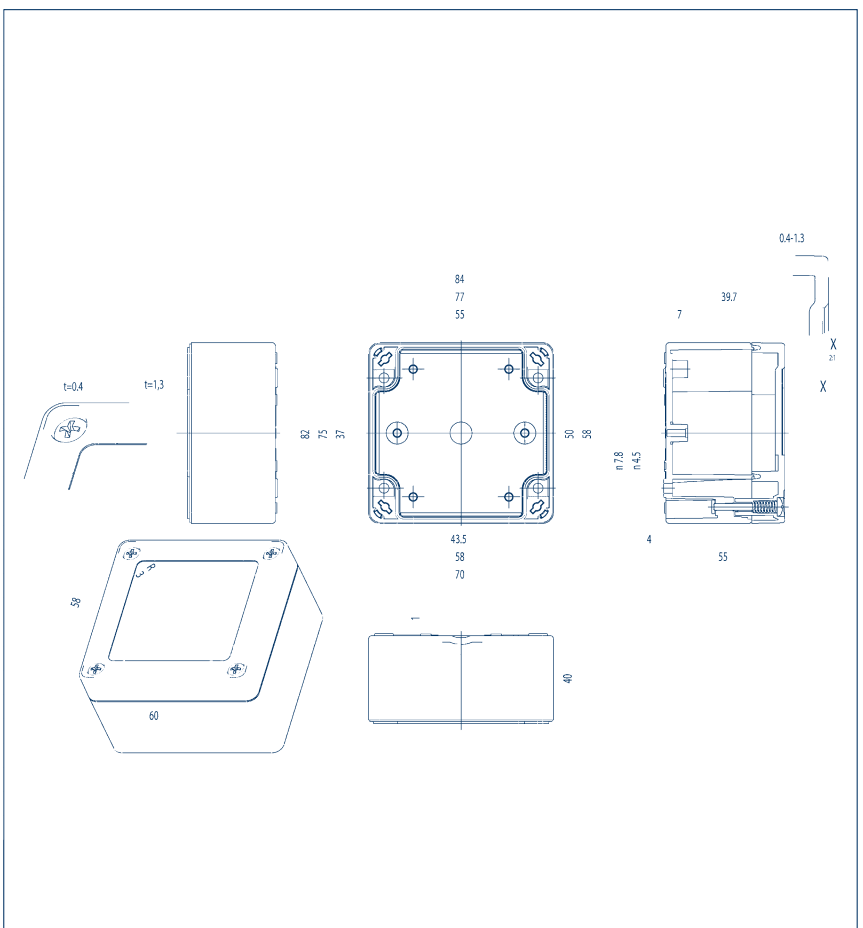


M	A/B	C/D	Knock-outs	A/B	C/D
12	3	2			
16	2	1			
20	1	1			
25	-	-			
32	-	-			
40	-	-			
50	-	-			
63	-	-			

Accessories

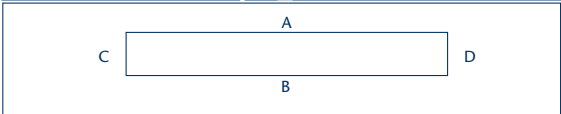
		Qty.
DIN rail section TS15	TS 15/66/CG mm long	
Cat. no.	31091.0	1
DIN rail section TS35	TS 35/66/CG mm long	
Cat. no.	31081.0	1
Mounting plate MP	MP/CG 88	
Cat. no.	31070.2	1
Wall brackets WL	WL/CG	
Cat. no.	31079.2	1

Dimensional diagram



CG 88/85 CG-PC 88/85		
Type	Cat. no.	Wt.
CK 88/85 OV	31002.3	167 g
CG-PC 88/85 OV	31034.2	189 g
CG 88/85 OVT	31003.3	172 g
CG-PC 88/85 OVT	31035.2	188 g

Threaded drill hole options

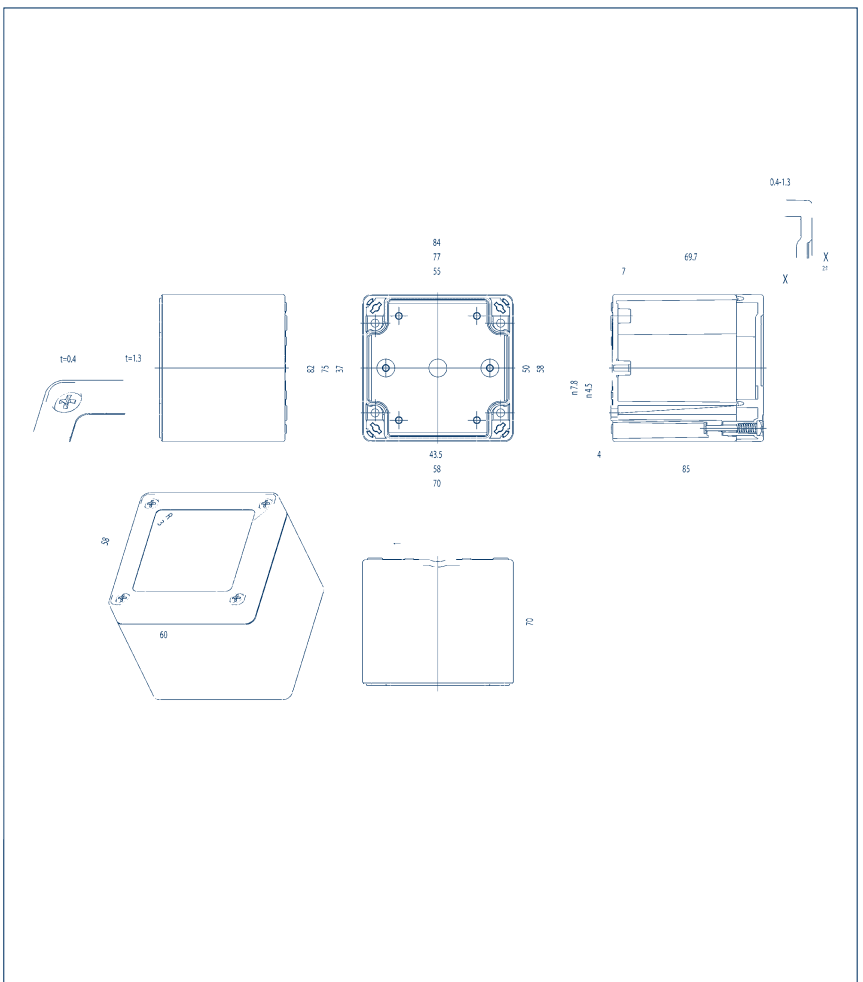


M	A/B	C/D	Knock-outs	A/B	C/D
12	6	4			
16	4	2			
20	2	2			
25	1	1			
32	1	-			
40	-	-			
50	-	-			
63	-	-			

Accessories

		Qty.
DIN rail section TS15	TS 15/66/CG mm long	
Cat. no.	31091.0	1
DIN rail section TS35	TS 35/66/CG mm long	
Cat. no.	31081.0	1
Mounting plate MP	MP/CG 88	
Cat. no.	31070.2	1
Wall brackets WL	WL/CG	
Cat. no.	31079.2	1

Dimensional diagram

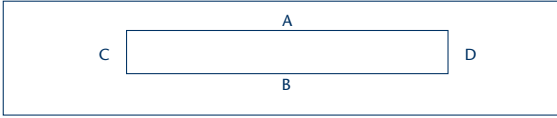


ABS housing CG | Polycarbonate housing CG-PC

CG 1208/55 | CG-PC 1208/55

Type	Cat. no.	Wt.
CK 1208/55 OV	31004.3	160 g
CG-PC 1208/55 OV	31036.2	180 g
CG 1208/55 OVT	31005.3	167 g
CG-PC 1208/55 OVT	31037.2	180 g

Threaded drill hole options

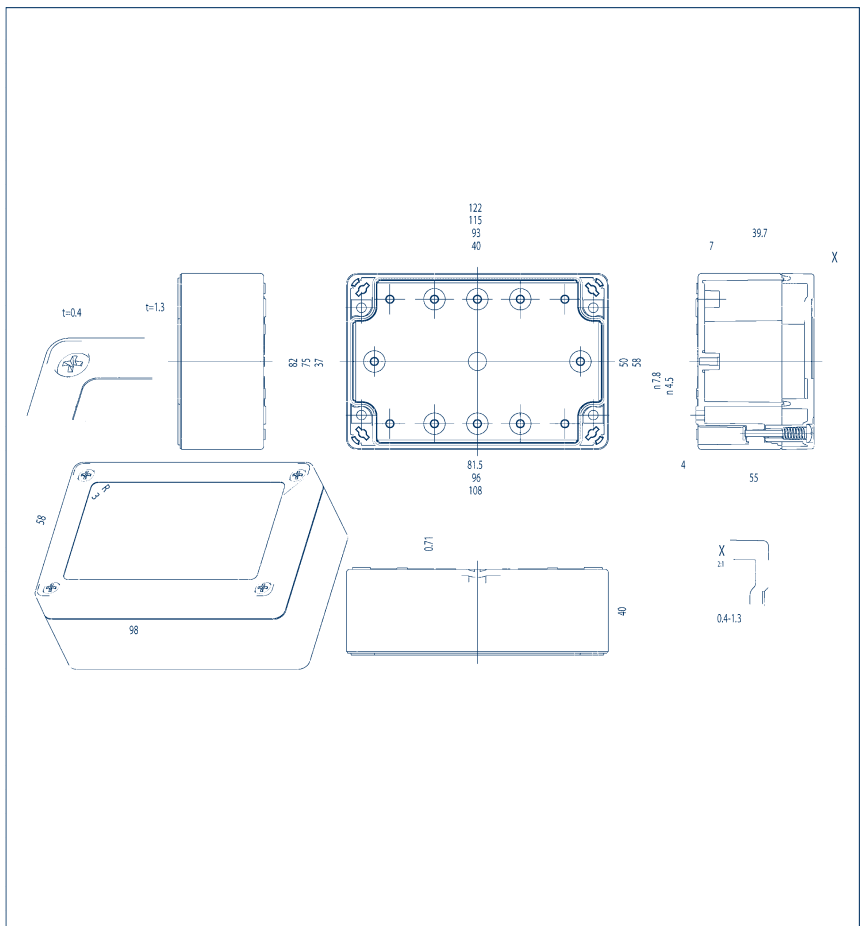


M	A/B	C/D	PG	A/B	C/D
12	5	2			
16	3	1			
20	2				
25	2	-			
32	-	-			
40	-	-			
50	-	-			
63	-	-			

Accessories

Accessories		Qty.
DIN rail section TS15	TS 15/104/CG mm long	
Cat. no.	31092.0	1
DIN rail section TS35	TS 35/104/CG mm long	
Cat. no.	31082.0	1
Mounting plate MP	MP/CG 1208	
Cat. no.	31071.2	1
Wall brackets WL	WL/CG	
Cat. no.	31079.2	1

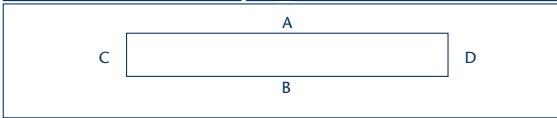
Dimensional diagram



CG 1208/85 | CG-PC 1208/85

Type	Cat. no.	Wt.
CK 1208/85 OV	31006.3	210 g
CG-PC 1208/85 OV	31038.2	233 g
CG 1208/85 OVT	31007.3	222 g
CG-PC 1208/85 OVT	31039.2	235 g

Threaded drill hole options

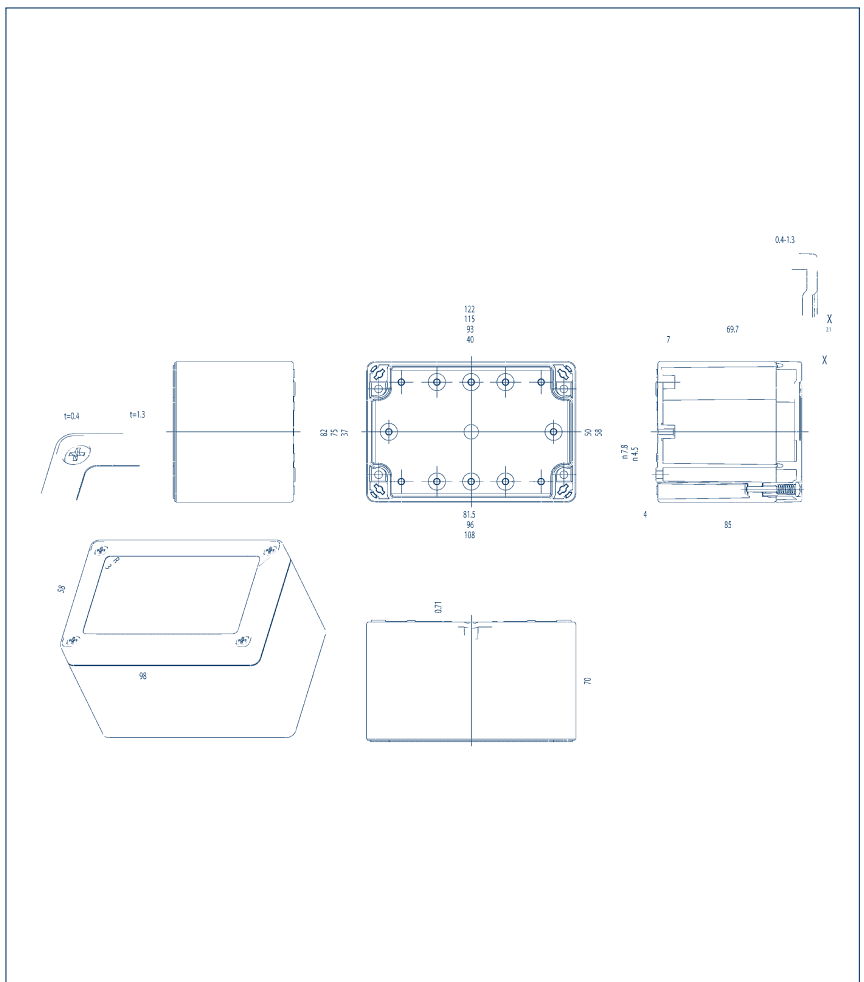


M	A/B	C/D	PG	A/B	C/D
12	12	4			
16	6	2			
20	6	1			
25	3	1			
32	2	-			
40	1	-			
50	-	-			
63	-	-			

Accessories

Accessories		Qty.
DIN rail section TS15	TS 15/104/CG mm long	
Cat. no.	31092.0	1
DIN rail section TS35	TS 35/104/CG mm long	
Cat. no.	31082.0	1
Mounting plate MP	MP/CG 1208	
Cat. no.	31071.2	1
Wall brackets WL	WL/CG	
Cat. no.	31079.2	1

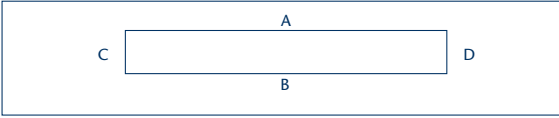
Dimensional diagram



ABS housing CG | Polycarbonate housing CG-PC

CG 1612/90 CG-PC 1612/90		
Type	Cat. no.	Wt.
CK 1612/90 OV	31016.3	340 g
CG-PC 1612/90 OV	31048.2	384 g
CG 1612/90 OVT	31017.3	359 g
CG-PC 1612/90 OVT	31049.2	379 g

Threaded drill hole options

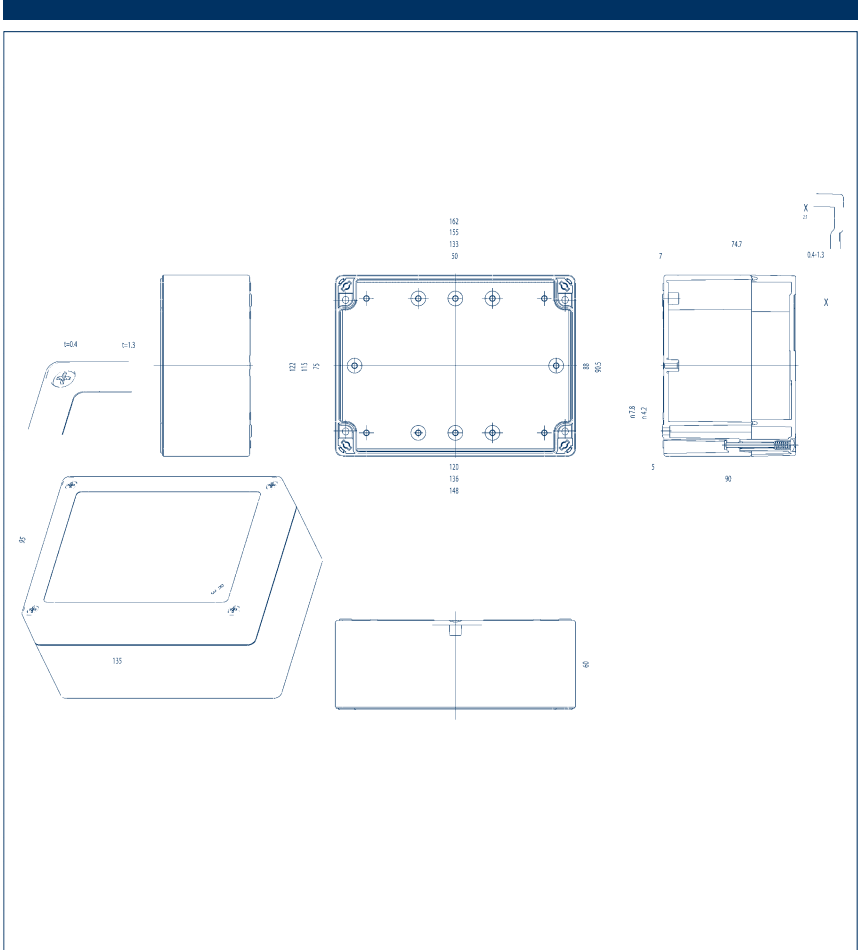


M	A/B	C/D	PG	A/B	C/D
12	12	8			
16	10	5			
20	4	3			
25	3	2			
32	2	2			
40	-	-			
50	-	-			
63	-	-			

Accessories Qty.

DIN rail section TS15	TS 15/144/CG mm long	
Cat. no.	31094.0	1
DIN rail section TS35	TS 35/144/CG mm long	
Cat. no.	31084.0	1
Mounting plate MP	MP/CG 1608	
Cat. no.	31073.2	1
Wall brackets WL	WL/CG	
Cat. no.	31079.2	1
Internal joints (pair) IG	IG/CG	
Cat. no.	31080.2	1

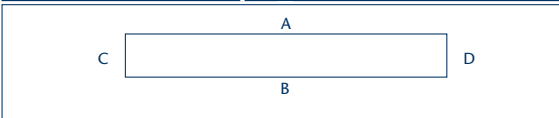
Dimensional diagram



CG 1212/75 | CG-PC 1212/75

Type	Cat. no.	Wt.
CK 1212/75 OV	31018.3	350 g
CG-PC 1212/75 OV	31050.2	405 g
CG 1212/75 OVT	31019.3	379 g
CG-PC 1212/75 OVT	31051.2	404 g

Threaded drill hole options

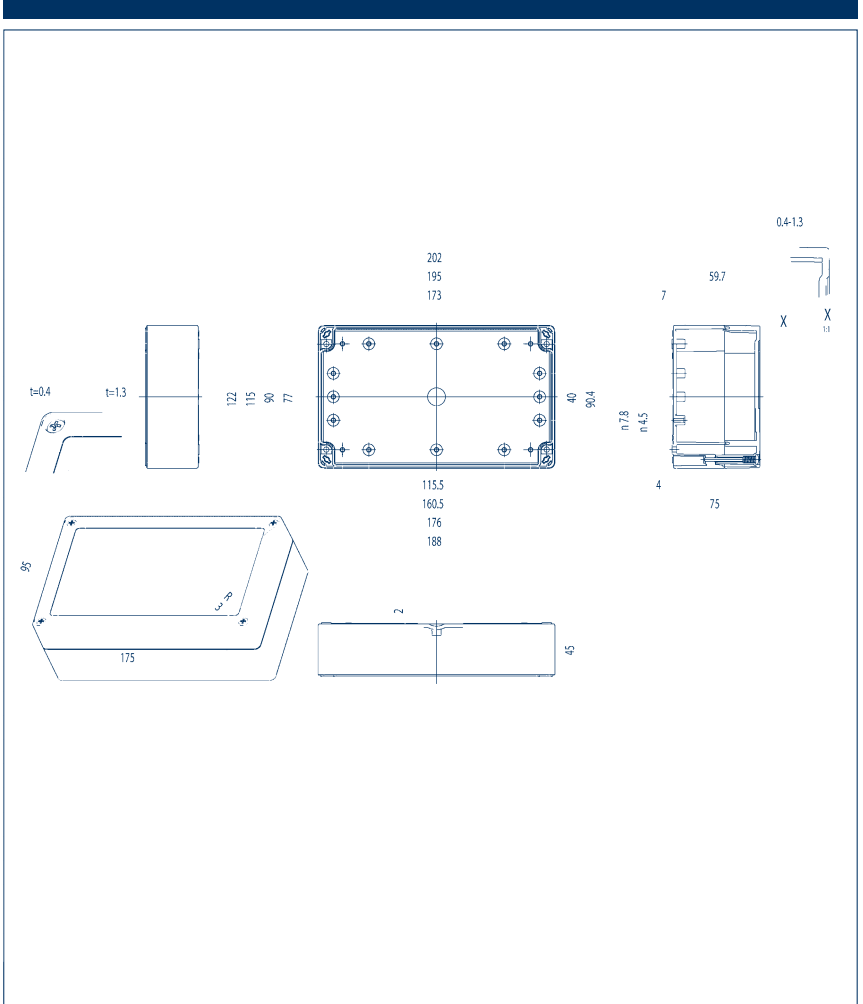


M	A/B	C/D	PG	A/B	C/D
12	16	6			
16	8	3			
20	5	2			
25	4	2			
32	-	-			
40	-	-			
50	-	-			
63	-	-			

Accessories Qty.

DIN rail section TS15	TS 15/184/CG mm long	
Cat. no.	31095.0	1
DIN rail section TS35	TS 35/184/CG mm long	
Cat. no.	31085.0	1
Mounting plate MP	MP/CG 2012	
Cat. no.	31075.2	1
Wall brackets WL	WL/CG	
Cat. no.	31079.2	1
Internal joints (pair) IG	IG/CG	
Cat. no.	31080.2	1

Dimensional diagram

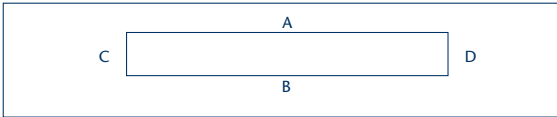


ABS housing CG | Polycarbonate housing CG-PC

CG 2012/90 | CG-PC 2012/90

Type	Cat. no.	Wt.
CK 2012/90 OV	31020.3	395 g
CG-PC 2012/90 OV	31052.2	445 g
CG 2012/90 OVT	31021.3	414 g
CG-PC 2012/90 OVT	31053.2	440 g

Threaded drill hole options



M	A/B	C/D	PG	A/B	C/D
12	16	6			
16	12	3			
20	5	3			
25	4	2			
32	3	1			
40	-	-			
50	-	-			
63	-	-			

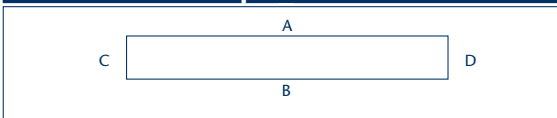
Accessories

		Qty.
DIN rail section TS15	TS 15/184/CG mm long	
Cat. no.	31095.0	1
DIN rail section TS35	TS 35/184/CG mm long	
Cat. no.	31085.0	1
Mounting plate MP	MP/CG 2012	
Cat. no.	31075.2	1
Wall brackets WL	WL/CG	
Cat. no.	31079.2	1
Internal joints (pair) IG	IG/CG	
Cat. no.	31080.2	1

CG 2015/90 | CG-PC 2015/90

Type	Cat. no.	Wt.
CK 2015/90 OV	31022.3	451 g
CG-PC 2015/90 OV	31054.2	514 g
CG 2015/90 OVT	31023.3	479 g
CG-PC 2015/90 OVT	31055.2	212 g

Threaded drill hole options

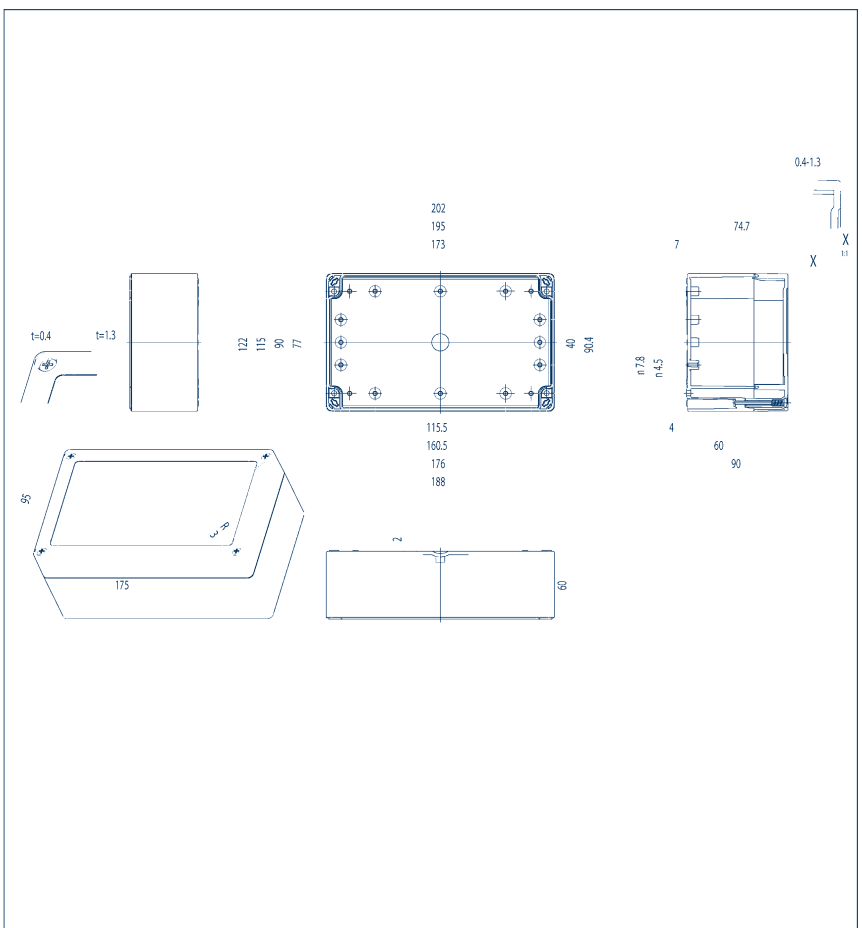


M	A/B	C/D	PG	A/B	C/D
12	16	10			
16	12	8			
20	5	4			
25	4	3			
32	3	2			
40	-	-			
50	-	-			
63	-	-			

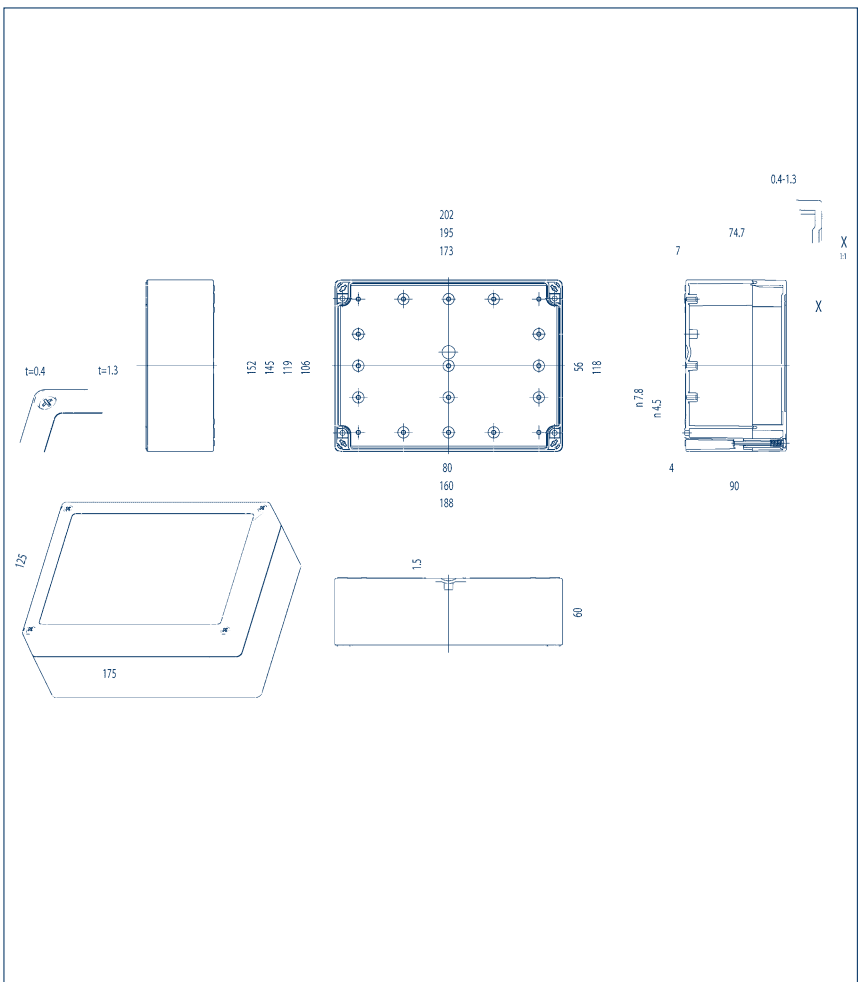
Accessories

		Qty.
DIN rail section TS15	TS 15/168/CG mm long	
Cat. no.	31096.0	1
DIN rail section TS35	TS 35/168/CG mm long	
Cat. no.	31086.0	1
Mounting plate MP	MP/CG 2015	
Cat. no.	31076.2	1
Wall brackets WL	WL/CG	
Cat. no.	31079.2	1
Internal joints (pair) IG	IG/CG	
Cat. no.	31080.2	1

Dimensional diagram



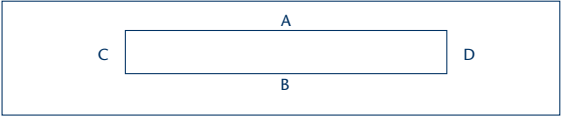
Dimensional diagram



ABS housing CG | Polycarbonate housing CG-PC

CG 2516/90 CG-PC 2516/90		
Type	Cat. no.	Wt.
CK 2516/90 OV	31024.3	585 g
CG-PC 2516/90 OV	31056.2	660 g
CG 2516/90 OVT	31025.3	632 g
CG-PC 2516/90 OVT	31057.2	673 g

Threaded drill hole options



M	A/B	C/D	PG	A/B	C/D
12	20	10			
16	12	8			
20	6	3			
25	4	3			
32	4	2			
40	2	2			
50	-	-			
63	-	-			

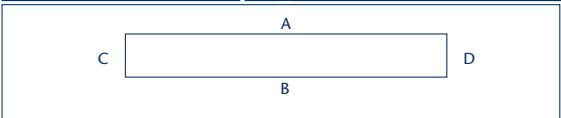
Accessories Qty.

DIN rail section TS15	TS 15/220/CG mm long	
Cat. no.	31097.0	1
DIN rail section TS35	TS 35/220/CG mm long	
Cat. no.	31087.0	1
Mounting plate MP	MP/CG 2516	
Cat. no.	31077.2	1
Wall brackets WL	WL/CG	
Cat. no.	31079.2	1
Internal joints (pair) IG	IG/CG	
Cat. no.	31080.2	1

CG 2516/120 | CG-PC 2516/120

Type	Cat. no.	Wt.
CK 2516/120 OV	31026.3	689 g
CG-PC 2516/120 OV	31058.2	775 g
CG 2516/120 OVT	31027.3	725 g
CG-PC 2516/120 OVT	31059.2	793 g

Threaded drill hole options

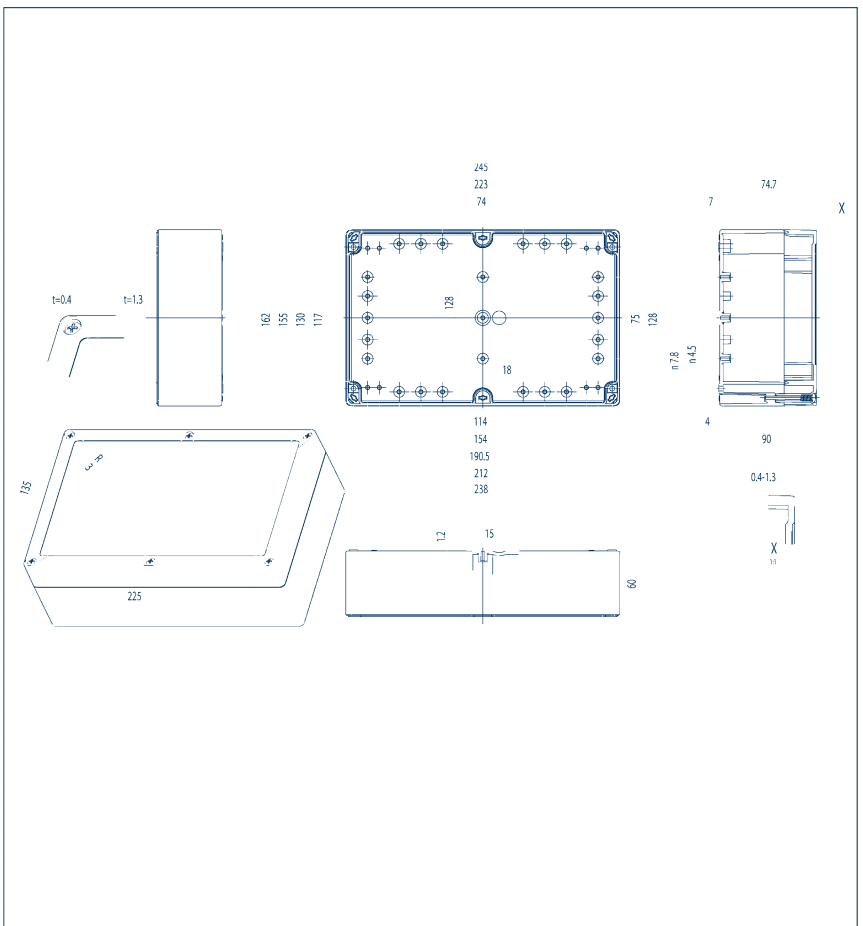


M	A/B	C/D	PG	A/B	C/D
12	40	20			
16	18	12			
20	12	8			
25	8	6			
32	6	3			
40	2	2			
50	2	1			
63	-	-			

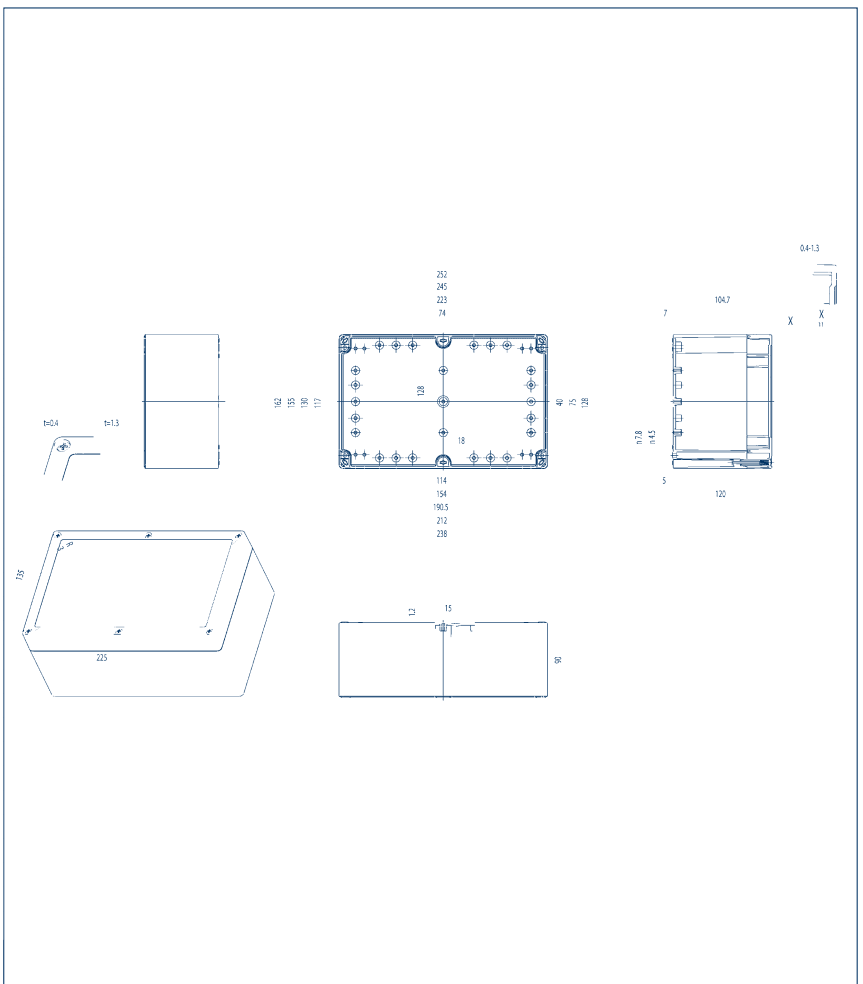
Accessories Qty.

DIN rail section TS15	TS 15/220/CG mm long	
Cat. no.	31097.0	1
DIN rail section TS35	TS 35/220/CG mm long	
Cat. no.	31087.0	1
Mounting plate MP	MP/CG 2516	
Cat. no.	31077.2	1
Wall brackets WL	WL/CG	
Cat. no.	31079.2	1
Internal joints (pair) IG	IG/CG	
Cat. no.	31080.2	1

Dimensional diagram



Dimensional diagram



ABS housing CG | Polycarbonate housing CG-PC

Accessories

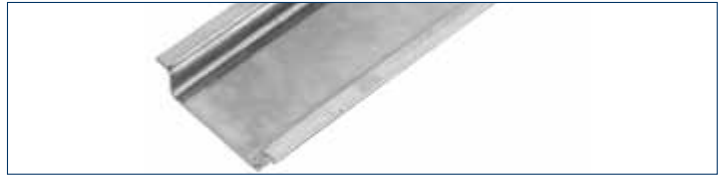
Mounting plate



Material: Hard, melamine-laminated paper
 Colour: grey, similar to RAL 7035

Type	Cat. no.	Qty.	Housing Type	Dimensions, mm
MP/CG 88	31070.2	1	CG 88	73x53x2.5
MP/CG 1208	31071.2	1	CG1208	91x73x2.5
MP/CG 1212	31072.2	1	CG 1212	113x93x2.5
MP/CG 1608	31073.2	1	CG 1608	131x73x2.5
MP/CG 1612	31074.2	1	CG 1612	131x113x2.5
MP/CG 2012	31075.2	1	CG 2012	171x113x2.5
MP/CG 2015	31076.2	1	CG 2015	171x143x2.5
MP/CG 2516	31077.2	1	CG 2516	220x152x2.5
MP/CG 3023	31078.2	1	CG 3023	270x222x2.5

DIN rail TS35



Material: Galvanized steel

Type	Cat. no.	Qty.	Housing Type
TS 35/66/CG mm long	31081.0	1	CG 88
TS 35/104/CG mm long	31082.0	1	CG 1208
TS 35/108/CG mm long	31083.0	1	CG 1212
TS 35/144/CG mm long	31084.0	1	CG 1608/1612
TS 35/184/CG mm long	31085.0	1	CG 2012
TS 35/168/CG mm long	31086.0	1	CG 2015
TS 35/220/CG mm long	31087.0	1	CG 2516
TS 35/283.5/CG mm long	31088.0	1	CG 3023

DIN rail TS15



Material: Galvanized steel

Type	Cat. no.	Qty.	Housing Type
TS 15/66/CG mm long	31091.0	1	CG 88
TS 15/104/CG mm long	31092.0	1	CG1208
TS 15/108/CG mm long	31093.0	1	CG 1212
TS 15/144/CG mm long	31094.0	1	CG 1608/1612
TS 15/184/CG mm long	31095.0	1	CG 2012
TS 15/168/CG mm long	31096.0	1	CG 2015
TS 15/220/CG mm long	31097.0	1	CG 2516
TS 15/283.5/CG mm long	31098.0	1	CG 3023

Inner joint IC/CG



Material: Polycarbonate
 Colour: grey, similar to RAL 7035

Type	Cat. no.	Qty.	Housing Type
IC/CG	31080.2	1	CG 1612, CG 2012, CG 2015, CG 2516, CG 3023

Interior joint kit for converting the housing cover to a hinged door: including 2 hinges, drilling template and mounting screws

Wall brackets WL/CG



Material: Polycarbonate
 Colour: grey, similar to RAL 7035

Type	Cat. no.	Qty.	Housing Type
WL/CG	31079.2	1	All CG housings

Wall bracket set made of plastic: including mounting screws, set = 4 pieces

Polystyrene housing CK

Polystyrene housing

- 13 basic housings with up to 3 different cover heights
- Grey or transparent cover
- Material: polystyrene
- Smooth side walls or metric knock-out openings
- A comprehensive line of accessories



Protection
Toxicity characteristics
Flamm. class acc. to UL 94
Thermal stability
Chemical resistance
Sea water resistance
UV resistance
Colour
Impact resistance

Polystyrene
IP66
halogen-free and cadmium-free
V-2
-25°C to +40°C
good
good
satisfactory
grey, similar to RAL 7035
IK07 DIN EN 5012

Outer dimensions			Dimensional diagram
L	W	H	Page
65	65	57	21
65	65	81	21
94	65	57	21
94	65	81	21
94	94	57	22
94	94	81	22
110	110	66	22
110	110	90	22
130	94	57	23
130	94	81	23
130	130	75	23
130	130	99	23
180	94	57	24
180	94	81	24
180	110	90	24
180	110	111	24
180	110	165	24
180	130	63	25
180	130	84	25
180	130	90	25
180	130	111	25
180	130	165	25
182	180	90	26
182	180	111	26
182	180	165	26
254	180	63	26
254	180	84	26
254	180	90	27
254	180	111	27
254	180	165	27
254	180	215	27
361	254	111	28
361	254	165	28

Grey polystyrene cover Lower part with knock-outs	
Type	Cat. no.
CK 77/57 MV	4316.3
CK 77/81 MV	4318.3
CK 97/57 MV	4320.3
CK 97/81 MV	4322.3
CK 99/57 MV	4324.3
CK 99/81 MV	4326.3
CK 1111/66 MV	4328.3
CK 1111/90 MV	4330.3
CK 1309/57 MV	4332.3
CK 1309/81 MV	4334.3
CK 1313/75 MV	4336.3
CK 1313/99 MV	4338.3
CK 1809/57 MV	4340.3
CK 1809/81 MV	4342.3
CK 1811/90 MV	4344.3
CK 1811/111 MV	4346.3
CK 1811/165 MV	4348.3
CK 1813/63 MV	31108.3
CK 1813/84 MV	31110.3
CK 1813/90 MV	31112.3
CK 1813/111 MV	31100.3
CK 1813/165 MV	31104.3
CK 1818/90 MV	4350.3
CK 1818/111 MV	4352.3
CK 1818/165 MV	4354.3
CK 2518/63 MV	4356.3
CK 2518/84 MV	4358.3
CK 2518/90 MV	4360.3
CK 2518/111 MV	4362.3
CK 2518/165 MV	4364.3
CK 3625/111 MV	4366.3
CK 3625/165 MV	4368.3

Grey polystyrene cover	
Type	Cat. no.
CK 77/57 OV	4201.3
CK 77/81 OV	4205.3
CK 97/57 OV	4209.3
CK 97/81 OV	4213.3
CK 99/57 OV	4217.3
CK 99/81 OV	4221.3
CK 1111/66 OV	4225.3
CK 1111/90 OV	4229.3
CK 1309/57 OV	4233.3
CK 1309/81 OV	4237.3
CK 1313/75 OV	4241.3
CK 1313/99 OV	4245.3
CK 1809/57 OV	4249.3
CK 1809/81 OV	4253.3
CK 1811/90 OV	4257.3
CK 1811/111 OV	4261.3
CK 1811/165 OV	4265.3
CK 1813/63 OV	31109.3
CK 1813/84 OV	31111.3
CK 1813/90 OV	31113.3
CK 1813/111 OV	31101.3
CK 1813/165 OV	31105.3
CK 1818/90 OV	4269.3
CK 1818/111 OV	4273.3
CK 1818/165 OV	4277.3
CK 2518/63 OV	4194.3
CK 2518/84 OV	4196.3
CK 2518/90 OV	4285.3
CK 2518/111 OV	4289.3
CK 2518/165 OV	4293.3
CK 2518/215 OV	4297.3
CK 3625/111 OV	4301.3
CK 3625/165 OV	4305.3

Polycarbonate cover, transparent Lower part with knock-outs	
Type	Cat. no.
CK 77/57 MVT	4317.3
CK 77/81 MVT	4319.3
CK 97/57 MVT	4321.3
CK 97/81 MVT	4323.3
CK 99/57 MVT	4325.3
CK 99/81 MVT	4327.3
CK 1111/66 MVT	4329.3
CK 1111/90 MVT	4331.3
CK 1309/57 MVT	4333.3
CK 1309/81 MVT	4335.3
CK 1313/75 MVT	4337.3
CK 1313/99 MVT	4339.3
CK 1809/57 MVT	4341.3
CK 1809/81 MVT	4343.3
CK 1811/90 MVT	4345.3
CK 1811/111 MVT	4347.3
CK 1811/165 MVT	4349.3

Polycarbonate cover, transparent	
Type	Cat. no.
CK 77/57 OVT	4203.3
CK 77/81 OVT	4207.3
CK 97/57 OVT	4211.3
CK 97/81 OVT	4215.3
CK 99/57 OVT	4219.3
CK 99/81 OVT	4223.3
CK 1111/66 OVT	4227.3
CK 1111/90 OVT	4231.3
CK 1309/57 OVT	4235.3
CK 1309/81 OVT	4239.3
CK 1313/75 OVT	4243.3
CK 1313/99 OVT	4247.3
CK 1809/57 OVT	4251.3
CK 1809/81 OVT	4255.3
CK 1811/90 OVT	4259.3
CK 1811/111 OVT	4263.3
CK 1811/165 OVT	4267.3
CK 1813/90 OVT	31115.3
CK 1813/111 OVT	31103.3
CK 1813/165 OVT	31107.3
CK 1818/90 OVT	4271.3
CK 1818/111 OVT	4275.3
CK 1818/165 OVT	4279.3
CK 2518/63 OVT	4195.3
CK 2518/84 OVT	4197.3
CK 2518/90 OVT	4287.3
CK 2518/111 OVT	4291.3
CK 2518/165 OVT	4295.3
CK 2518/215 OVT	4299.3
CK 3625/111 OVT	4303.3
CK 3625/165 OVT	4307.3

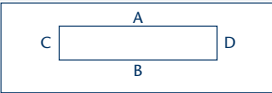
Polystyrene housing CK

CK 77/57 | CK 77/81

Type	Cat. no.	Wt.
CK 77/57 MV	4316.3	85 g
CK 77/57 OV	4201.3	82 g
CK 77/57 MVT	4317.3	85 g
CK 77/57 OVT	4203.3	84 g
CK 77/81 MV	4318.3	120 g
CK 77/81 OV	4205.3	113 g
CK 77/81 MVT	4319.3	120 g
CK 77/81 OVT	4207.3	122 g

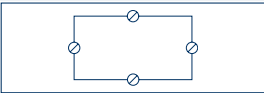
Threaded drill hole options

Without knock-outs



M	A/B	C/D
12	2	2
16	1	1
20	1	1
25	-	-
32	-	-
40	-	-
50	-	-
63	-	-

With metric knock-outs

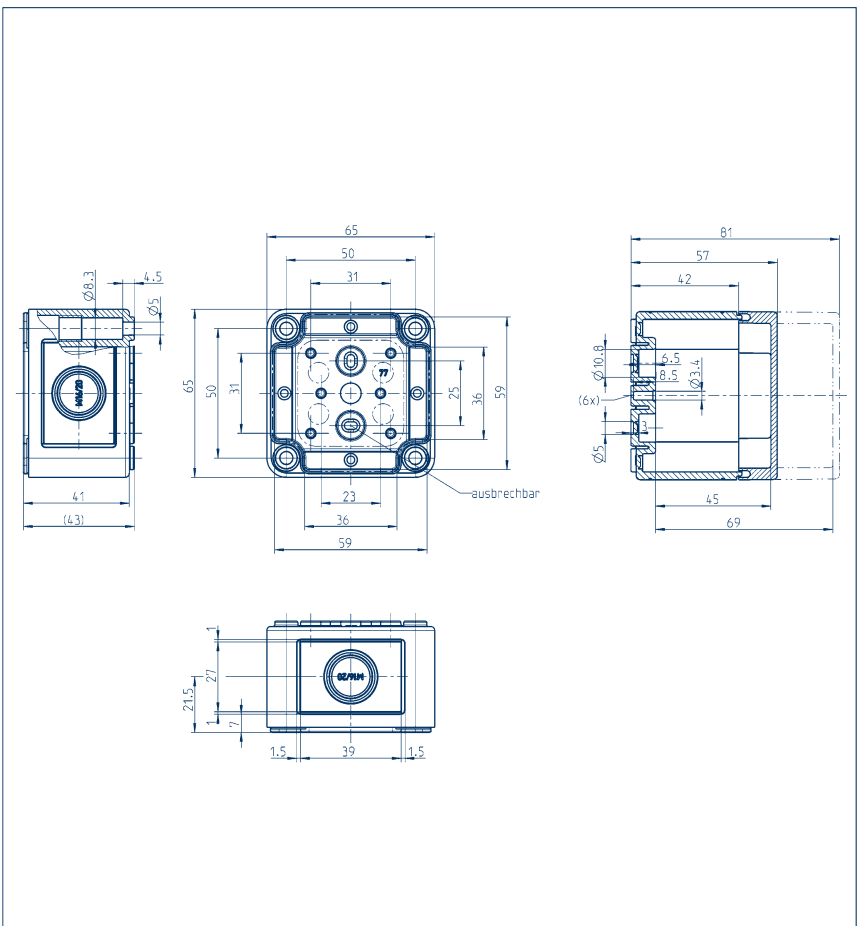


Knock-outs	A/B	C/D
M16/20	1	1

Accessories

		Qty.
DIN rail section TS15	TS 15 / 45 mm long	
Cat. no.	4559.0	1
DIN rail section TS35		
Cat. no.		
Mounting plate MP	MP/CK 77	
Cat. no.	4511.0	1
Wall brackets WL	WL/CK	
Cat. no.	4512.1	1
External joints (pair) AG	AG/CK 77-CK 1809	
Cat. no.	4512.2	1

Dimensional diagram

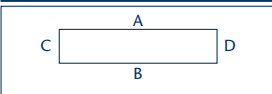


CK 97/57 | CK 97/81

Type	Cat. no.	Wt.
CK 97/57 MV	4320.3	86 g
CK 97/57 OV	4209.3	104 g
CK 97/57 MVT	4321.3	120 g
CK 97/57 OVT	4211.3	105 g
CK 97/81 MV	4322.3	147 g
CK 97/81 OV	4213.3	142 g
CK 97/81 MVT	4323.3	128 g
CK 97/81 OVT	4215.3	151 g

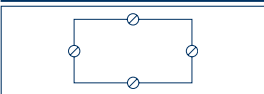
Threaded drill hole options

Without knock-outs



M	A/B	C/D
12	3	2
16	2	1
20	2	1
25	1	1
32	-	-
40	-	-
50	-	-
63	-	-

With metric knock-outs

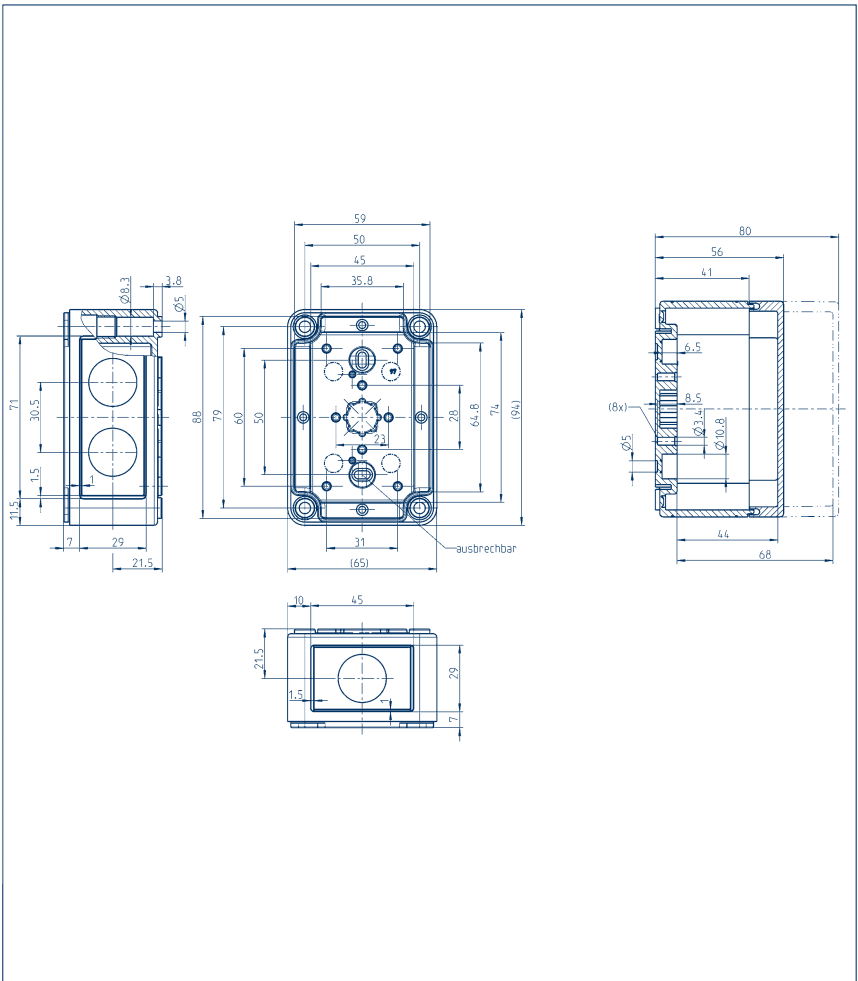


Knock-outs	A/B	C/D
M16/20	2	1

Accessories

		Qty.
DIN rail section TS15	TS 15 / 75 mm long	
Cat. no.	4559.1	1
DIN rail section TS35		
Cat. no.		
Mounting plate MP	MP/CK 97	
Cat. no.	4511.1	1
Wall brackets WL	WL/CK	
Cat. no.	4512.1	1
External joints (pair) AG	AG/CK 77-CK 1809	
Cat. no.	4512.2	1

Dimensional diagram



Knock-outs: \odot =M16/20 \circ =M20 \bullet =M20/25
 \bullet =M25/32 \otimes =M32/40

Polystyrene housing CK

CK 99/57 CK 99/81		
Type	Cat. no.	Wt.
CK 99/57 MV	4324.3	85 g
CK 99/57 OV	4217.3	82 g
CK 99/57 MVT	4325.3	85 g
CK 99/57 OVT	4219.3	84 g
CK 99/81 MV	4326.3	120 g
CK 99/81 OV	4221.3	113 g
CK 99/81 MVT	4327.3	120 g
CK 99/81 OVT	4223.3	122 g

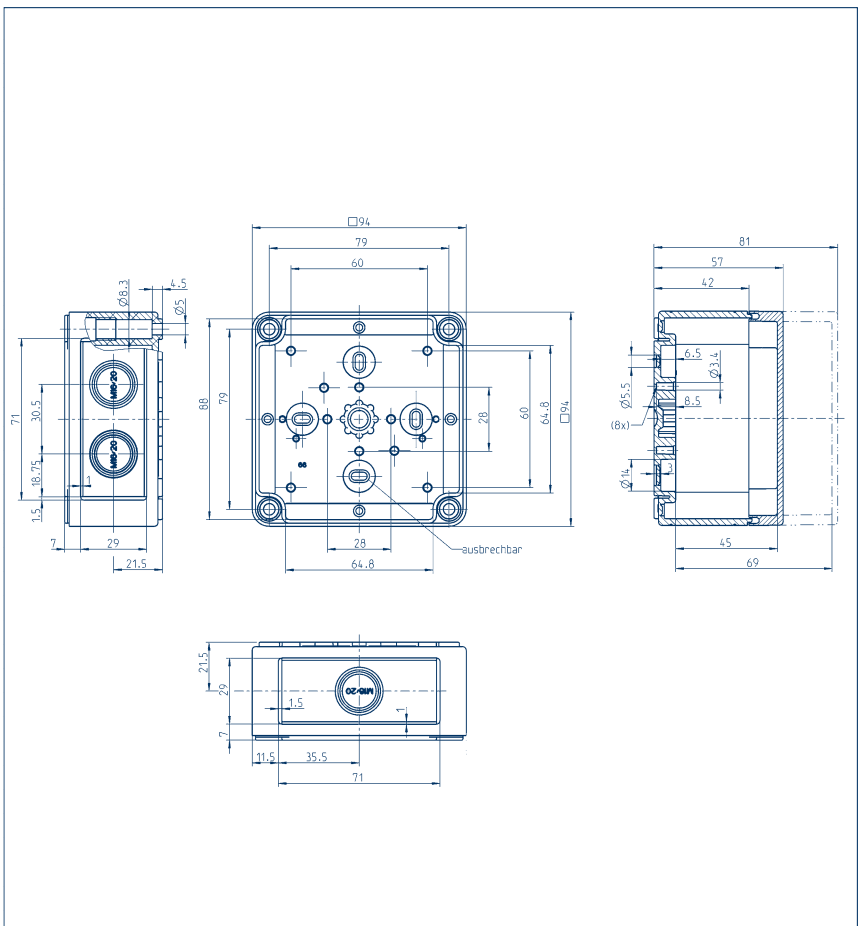
Threaded drill hole options

Without knock-outs			With metric knock-outs		
M	A/B	C/D	Knock-outs	A/B	C/D
12	3	3	M16/20	1	2
16	2	2			
20	2	2			
25	-	-			
32	-	-			
40	-	-			
50	-	-			
63	-	-			

Accessories

		Qty.
DIN rail section TS15	TS 15 / 75 mm long	
Cat. no.	4559.1	1
DIN rail section TS35		
Cat. no.		
Mounting plate MP	MP/CK 99	
Cat. no.	4511.2	1
Wall brackets WL	WL/CK	
Cat. no.	4512.1	1
External joints (pair) AG	AG/CK 77-CK 1809	
Cat. no.	4512.2	1

Dimensional diagram



CK 1111/66 | CK 1111/90

Type	Cat. no.	Wt.
CK 1111/66 MV	4328.3	181 g
CK 1111/66 OV	4225.3	171 g
CK 1111/66 MVT	4329.3	181 g
CK 1111/66 OVT	4227.3	180 g
CK 1111/90 MV	4330.3	242 g
CK 1111/90 OV	4229.3	225 g
CK 1111/90 MVT	4331.3	242 g
CK 1111/90 OVT	4231.3	242 g

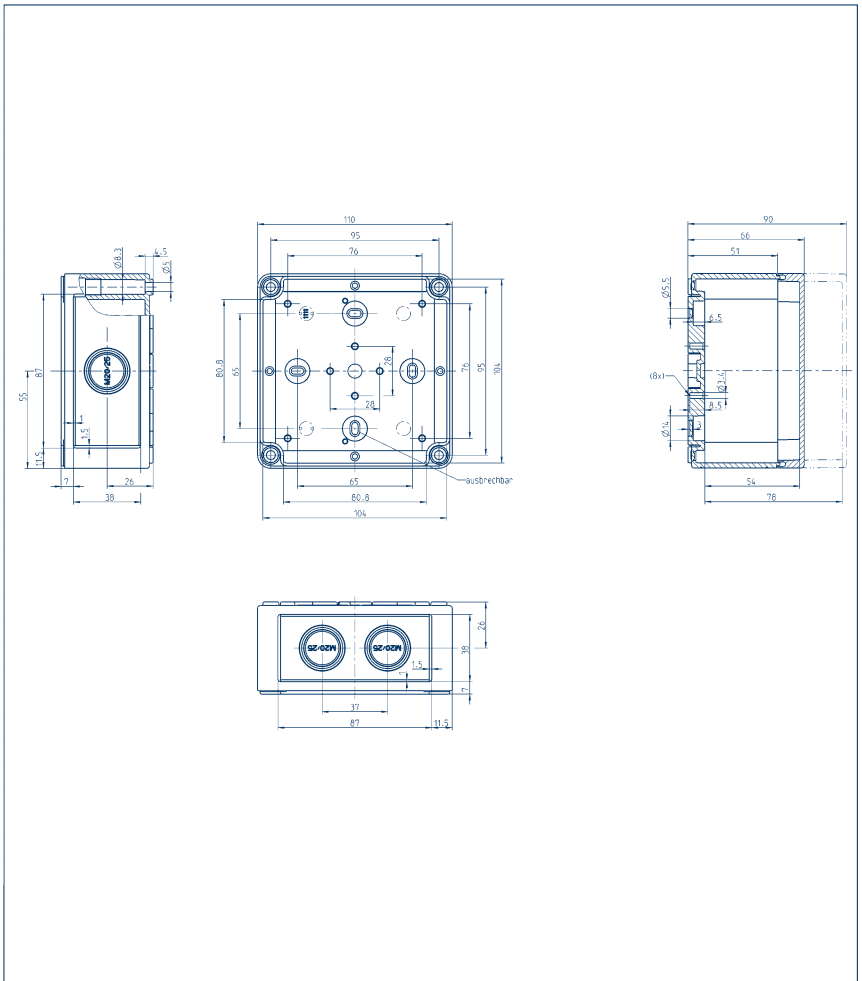
Threaded drill hole options

Without knock-outs			With metric knock-outs		
M	A/B	C/D	Knock-outs	A/B	C/D
12	8	8	M20/25	1	2
16	4	4			
20	2	2			
25	2	2			
32	-	-			
40	-	-			
50	-	-			
63	-	-			

Accessories

		Qty.
DIN rail section TS15	TS 15 / 87 mm long	
Cat. no.	4559.2	1
DIN rail section TS35	TS 35 / 87 mm long	
Cat. no.	4559.3	1
Mounting plate MP	MP/CK 1111	
Cat. no.	4511.3	1
Wall brackets WL	WL/CK	
Cat. no.	4512.1	1
External joints (pair) AG	AG/CK 77-CK 1809	
Cat. no.	4512.2	1

Dimensional diagram



Knock-outs: =M16/20 =M20 =M20/25
 =M25/32 =M32/40

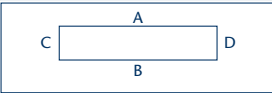
Polystyrene housing CK

CK 1309/57 | CK 1309/81

Type	Cat. no.	Wt.
CK 1309/57 MV	4332.3	155 g
CK 1309/57 OV	4233.3	159 g
CK 1309/57 MVT	4333.3	165 g
CK 1309/57 OVT	4235.3	163 g
CK 1309/81 MV	4334.3	200 g
CK 1309/81 OV	4237.3	220 g
CK 1309/81 MVT	4335.3	200 g
CK 1309/81 OVT	4239.3	227 g

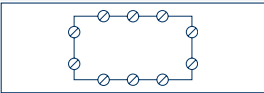
Threaded drill hole options

Without knock-outs



M	A/B	C/D
12	5	3
16	4	2
20	3	2
25	2	1
32	-	-
40	-	-
50	-	-
63	-	-

With metric knock-outs

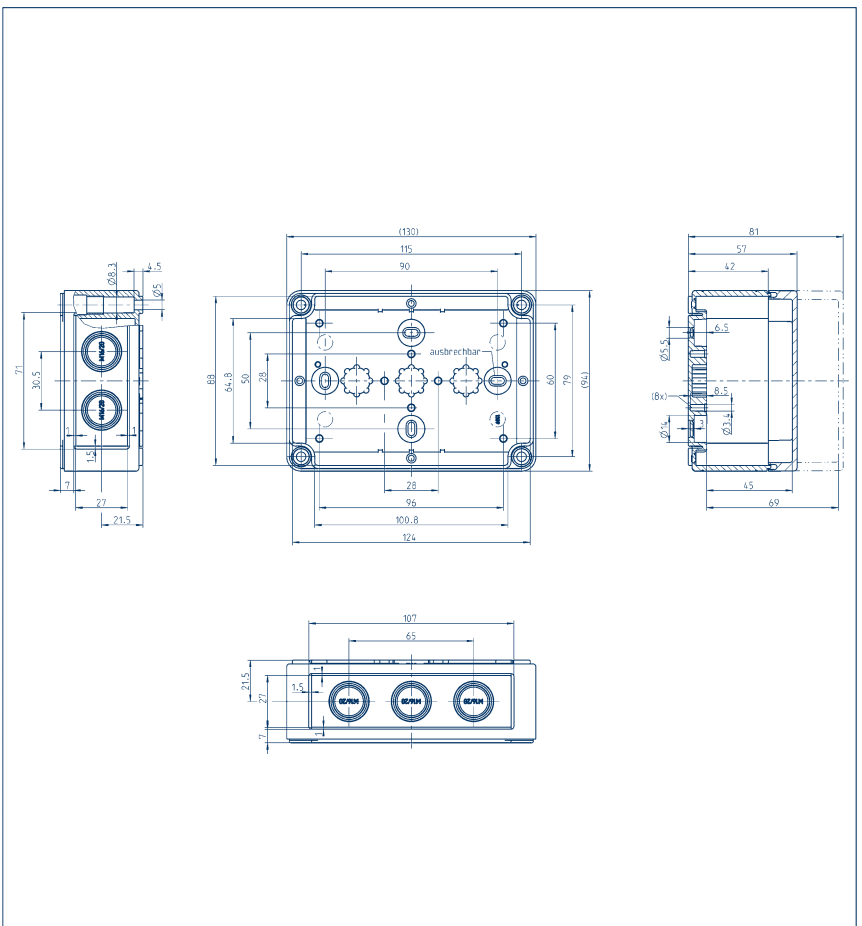


Knock-outs	A/B	C/D
M16/20	3	2

Accessories

		Qty.
DIN rail section TS15	TS 15 / 106 mm long	
Cat. no.	4559.4	1
DIN rail section TS35	TS 35 / 106 mm long	
Cat. no.	4559.5	1
Mounting plate MP	MP/CK 1309	
Cat. no.	4511.4	1
Wall brackets WL	WL/CK	
Cat. no.	4512.1	1
External joints (pair) AG	AG/CK 77-CK 1809	
Cat. no.	4512.2	1

Dimensional diagram

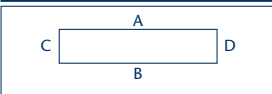


CK 1313/75 | CK 1313/99

Type	Cat. no.	Wt.
CK 1313/75 MV	4336.3	221 g
CK 1313/75 OV	4241.3	228 g
CK 1313/75 MVT	4337.3	243 g
CK 1313/75 OVT	4243.3	239 g
CK 1313/99 MV	4338.3	282 g
CK 1313/99 OV	4245.3	284 g
CK 1313/99 MVT	4339.3	267 g
CK 1313/99 OVT	4247.3	302 g

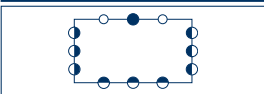
Threaded drill hole options

Without knock-outs



M	A/B	C/D
12	10	10
16	6	6
20	3	3
25	3	3
32	2	2
40	-	-
50	-	-
63	-	-

With metric knock-outs

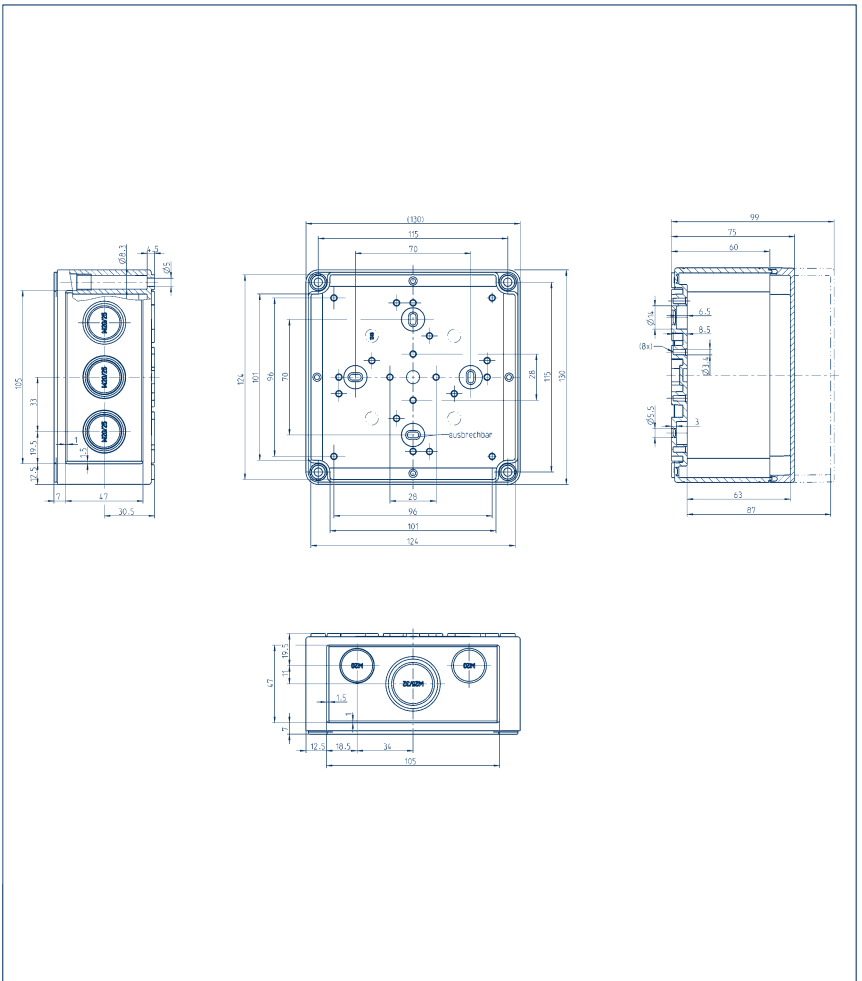


Knock-outs	A/B	C/D
M20	2	-
M20/25	-	3
M25/32	1	-

Accessories

		Qty.
DIN rail section TS15	TS 15 / 106 mm long	
Cat. no.	4559.4	1
DIN rail section TS35	TS 35 / 106 mm long	
Cat. no.	4559.5	1
Mounting plate MP	MP/CK 1313	
Cat. no.	4511.5	1
Wall brackets WL	WL/CK	
Cat. no.	4512.1	1
External joints (pair) AG	AG/CK 77-CK 1809	
Cat. no.	4512.2	1

Dimensional diagram



Knock-outs: ○ = M16/20 ○ = M20 ● = M20/25
 ● = M25/32 ⊗ = M32/40

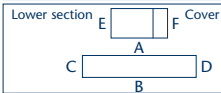
Polystyrene housing CK

CK 1809/57 | CK 1809/81

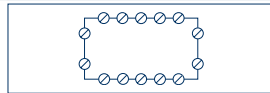
Type	Cat. no.	Wt.
CK 1809/57 MV	4340.3	212 g
CK 1809/57 OV	4249.3	202 g
CK 1809/57 MVT	4341.3	212 g
CK 1809/57 OVT	4251.3	208 g
CK 1809/81 MV	4342.3	277 g
CK 1809/81 OV	4253.3	280 g
CK 1809/81 MVT	4343.3	277 g
CK 1809/81 OVT	4255.3	284 g

Threaded drill hole options

Without knock-outs



with M knock-out

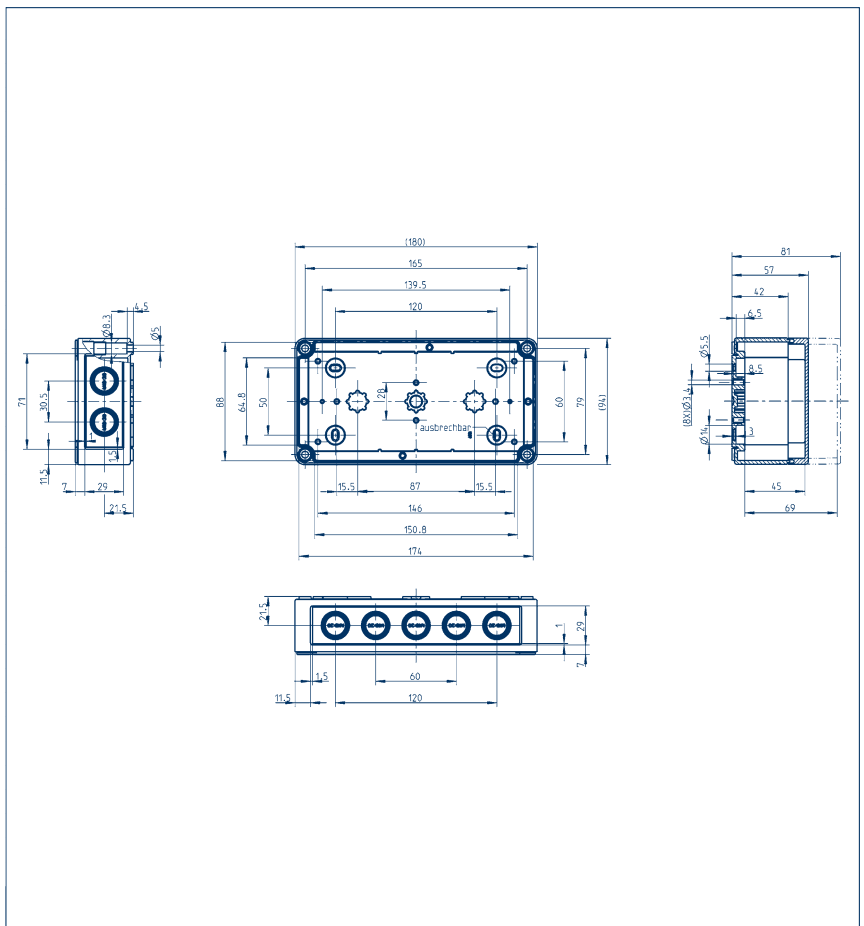


M	A/B	C/D	Knock-outs	A/B	C/D
12	8	3	M16/20	5	2
16	6	2			
20	5	2			
25	4	1			
32	-	-			
40	-	-			
50	-	-			
63	-	-			

Accessories

		Qty.
DIN rail section TS15	TS 15 / 147mm long	
Cat. no.	4559.6	1
DIN rail section TS35	TS 35 / 144 mm long	
Cat. no.	4507.4	1
Mounting plate MP	MP/CK 1809	
Cat. no.	4511.6	1
Wall brackets WL	WL/CK	
Cat. no.	4512.1	1
External joints (pair) AG	AG/CK 77-CK 1813	
Cat. no.	4512.2	1

Dimensional diagram

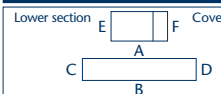


CK 1811/90 | CK 1811/111 | CK 1811/165

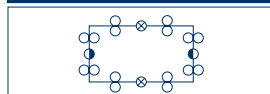
Type	Cat. no.	Wt.
CK 1811/90 MV	4344.3	310 g
CK 1811/90 OV	4257.3	314 g
CK 1811/90 MVT	4345.3	344 g
CK 1811/90 OVT	4259.3	334 g
CK 1811/111 MV	4346.3	383 g
CK 1811/111 OV	4261.3	356 g
CK 1811/111 MVT	4347.3	383 g
CK 1811/111 OVT	4263.3	387 g
CK 1811/165 MV	4348.3	513 g
CK 1811/165 OV	4265.3	483 g
CK 1811/165 MVT	4349.3	513 g
CK 1811/165 OVT	4267.3	538 g

Threaded drill hole options

Without knock-outs



with M knock-out

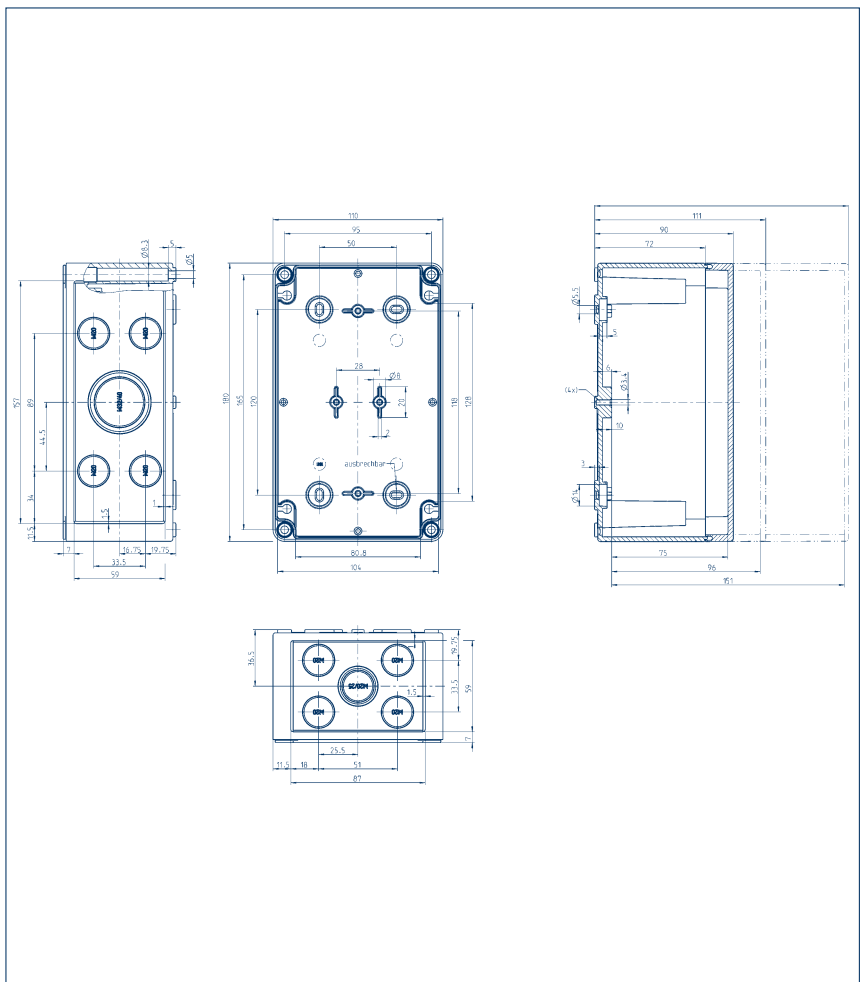


M	A/B	C/D	Knock-outs	A/B	C/D
12	20	12	M 20	4	4
16	10	6	M 20/25	-	1
20	8	5	M 32/40	1	-
25	5	3			
32	3	1			
40	2	1			
50	1	1			
63	-	-			

Accessories

		Qty.
DIN rail section TS15		
Cat. no.		
DIN rail section TS35	TS 35 / 144 mm long	
Cat. no.	4507.4	1
Mounting plate MP	MP/CK 1811	
Cat. no.	4511.7	1
Wall brackets WL	WL/CK	
Cat. no.	4512.1	1
External joints (pair) AG	AG/CK 1811-CK 3625	
Cat. no.	4512.3	1

Dimensional diagram

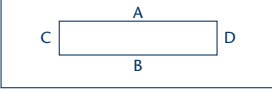
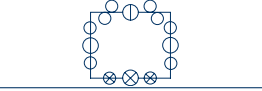


Knock-outs: ○ = M16/20 ○ = M20 ⊗ = M20/25
● = M25/32 ⊗ = M32/40

Polystyrene housing CK

CK 1813/63 CK 1813/84		
Type	Cat. no.	Wt.
CK 1813/63 MV	31108.3	345 g
CK 1813/63 OV	31109.3	420 g
CK 1813/84 MV	31110.3	545 g
CK 1813/84 OV	31111.3	355 g

Threaded drill hole options

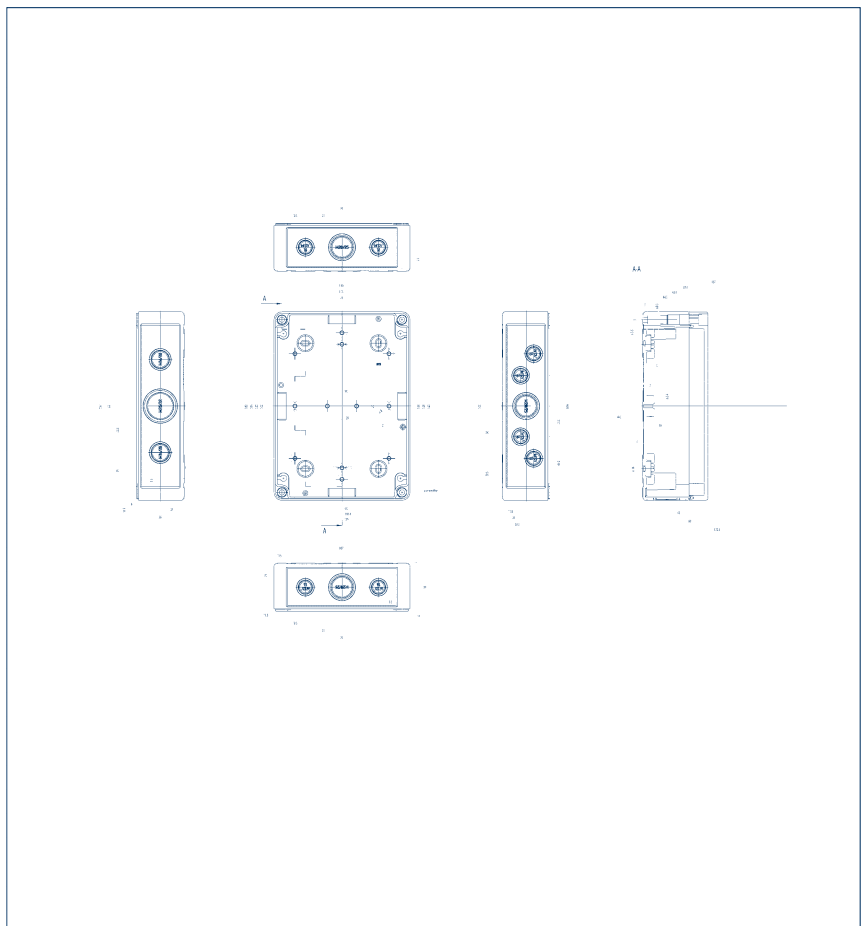
Without knock-outs			with M knock-out		
					
M	A/B	C/D	Knock-outs	A/B	C/D
16	12	10	M12/16	4	4
20	5	4	M16/20	2	-
25	4	3	M20/25	1	2
32	3	2	M25/32	1	-
40	1*	1*			
50	-	-			
63	-	-			
63	-	-			

* Cannot be rotated

Accessories Qty.

DIN rail section TS15		
Cat. no.		
DIN rail section TS35	TS 35 / 144 mm long	
Cat. no.	4507.4	1
Mounting plate MP	MP/CK 1813	
Cat. no.	4563.4	1
Wall brackets WL	WL/CK	
Cat. no.	4512.1	1
External joints (pair) AG	AG/CK 1811-CK 3625	
Cat. no.	4512.3	1

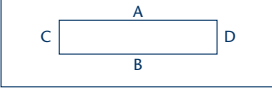
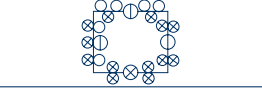
Dimensional diagram



CK 1813/90 | CK 1813/111 | CK 1813/165

Type	Cat. no.	Wt.
CK 1813/90 MV	31112.3	290 g
CK 1813/90 OV	31113.3	365 g
CK 1813/90 MVT	31114.3	355 g
CK 1813/90 OVT	31115.3	295 g
CK 1813/111 MV	31100.3	440 g
CK 1813/111 OV	31101.3	371 g
CK 1813/111 MVT	31102.3	577 g
CK 1813/111 OVT	31103.3	435 g
CK 1813/165 MV	31104.3	360 g
CK 1813/165 OV	31105.3	585 g
CK 1813/165 MVT	31106.3	410 g
CK 1813/165 OVT	31107.3	545 g

Threaded drill hole options

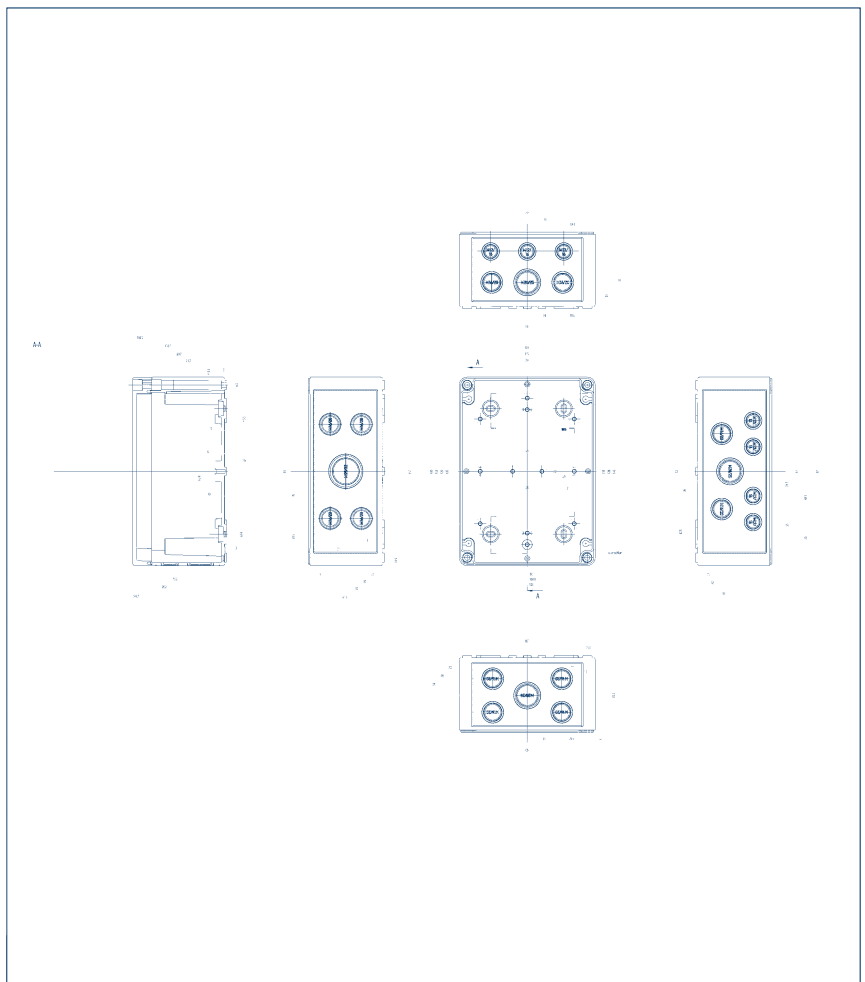
Without knock-outs			with M knock-out		
					
M	A/B	C/D	Knock-outs	A/B	C/D
12	20*	15	M 12/16	4	2
16	10	8	M 16/20	6	7
20	8	6	M 20/25	1	2
25	5	3	M 25/32	1	-
32	3*	2			
40	2	1			
50	1*	1*			
63	-	-			

* Cannot be rotated

Accessories Qty.

DIN rail section TS15		
Cat. no.		
DIN rail section TS35	TS 35 / 144 mm long	
Cat. no.	4507.4	1
Mounting plate MP	MP/CK 1813	
Cat. no.	4563.4	1
Wall brackets WL	WL/CK	
Cat. no.	4512.1	1
External joints (pair) AG	AG/CK 1811-CK 3625	
Cat. no.	4512.3	1

Dimensional diagram



Knock-outs: ○ = M16/20 ○ = M20 ● = M20/25
 ● = M25/32 ⊗ = M32/40

Polystyrene housing CK

CK 1818/90 | CK 1818/111 | CK 1818/165

Type	Cat. no.	Wt.
CK 1818/90 MV	4350.3	432 g
CK 1818/90 OV	4269.3	436 g
CK 1818/90 MVT	4351.3	453 g
CK 1818/90 OVT	4271.3	469 g
CK 1818/111 MV	4352.3	525 g
CK 1818/111 OV	4273.3	510 g
CK 1818/111 MVT	4353.3	525 g
CK 1818/111 OVT	4275.3	525 g
CK 1818/165 MV	4354.3	675 g
CK 1818/165 OV	4277.3	634 g
CK 1818/165 MVT	4355.3	675 g
CK 1818/165 OVT	4279.3	675 g

Threaded drill hole options

Without knock-outs			with M knock-out		
M	A/B	C/D	Knock-outs	A/B	C/D
12	23	20	M 20	8	4
16	12	10	M 32/40	1	1
20	10	8			
25	5	5			
32	3	3			
40	3	2			
50	2	1			
63	-	-			

Accessories

		Qty.
DIN rail section TS15		
Cat. no.		
DIN rail section TS35	TS 35 / 144 mm long	
Cat. no.	4507.4	1
Mounting plate MP	MP/CK 1818	
Cat. no.	4511.8	1
Wall brackets WL	WL/CK	
Cat. no.	4512.1	1
External joints (pair) AG	AG/CK 1811-CK 3625	
Cat. no.	4512.3	1

CK 2518/63 | CK 2518/84

Type	Cat. no.	Wt.
CK 2518/63 MV	4356.3	575 g
CK 2518/63 OV	4194.3	582 g
CK 2518/63 MVT	4357.3	575 g
CK 2518/63 OVT	4195.3	582 g
CK 2518/84 MV	4358.3	585 g
CK 2518/84 OV	4196.3	592 g
CK 2518/84 MVT	4359.3	585 g
CK 2518/84 OVT	4197.3	592 g

Threaded drill hole options

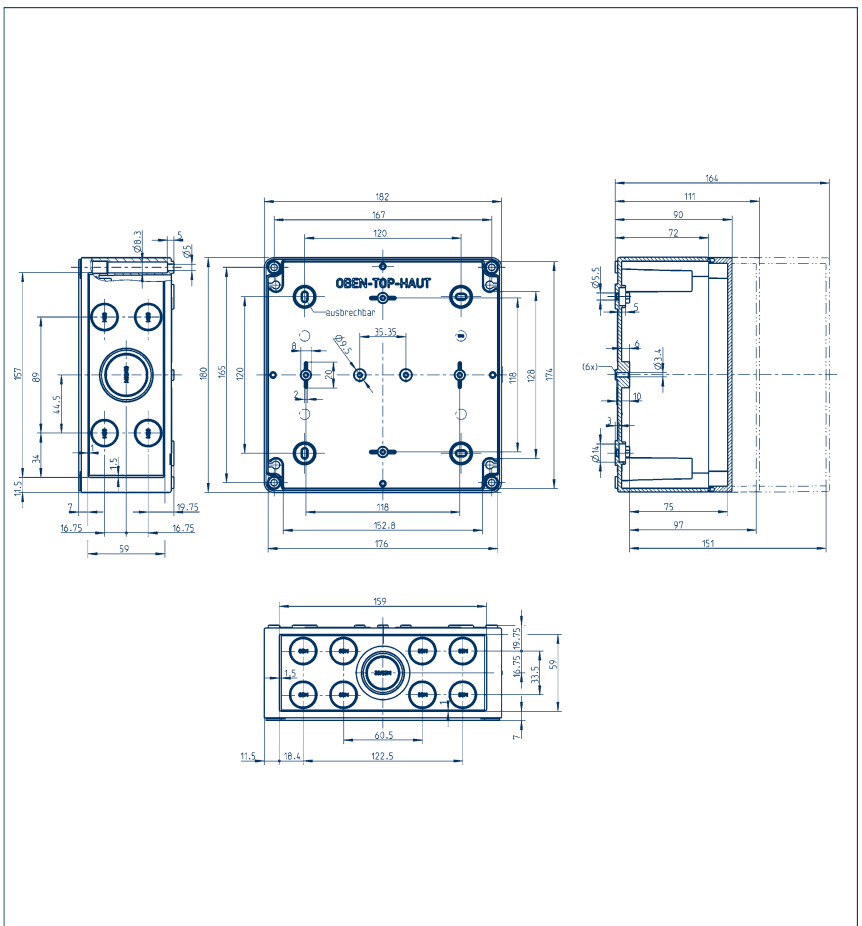
Without knock-outs			with M knock-out		
M	A/B	C/D	Knock-outs	A/B	C/D
12	22	12	M 16/20	12	4
16	10	5	M 25/32	2	2
20	7	4			
25	6	3			
32	1	1			
40	-	-			
50	-	-			
63	-	-			

Accessories

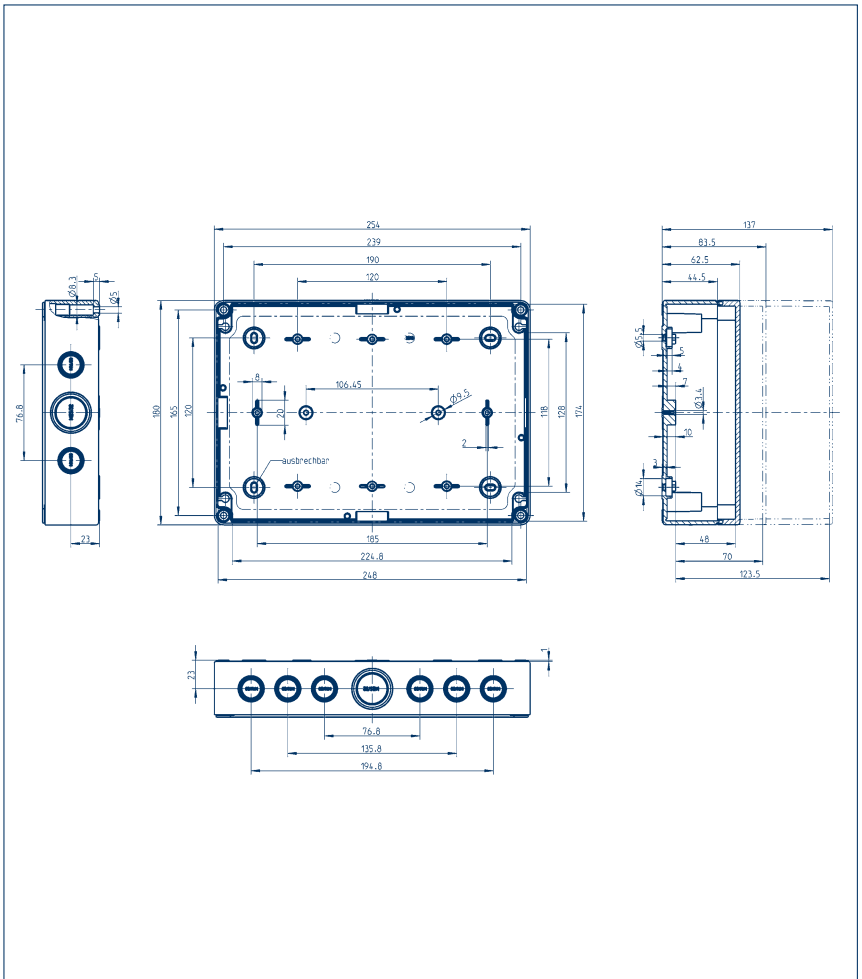
		Qty.
DIN rail section TS15		
Cat. no.		
DIN rail section TS35	TS 35 / 144 mm long	
Cat. no.	4507.4	1
Mounting plate MP	MP/CK 2518	
Cat. no.	4511.9	1
Wall brackets WL	WL/CK	
Cat. no.	4512.1	1
External joints (pair) AG	AG/CK 1811-CK 3625	
Cat. no.	4512.3	1

Knock-outs: ○ =M16/20 ○ =M20 ● =M20/25
● =M25/32 ⊗ =M32/40

Dimensional diagram



Dimensional diagram



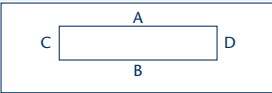
Polystyrene housing CK

CK 2518/90 | CK 2518/111

Type	Cat. no.	Wt.
CK 2518/90 MV	4360.3	564 g
CK 2518/90 OV	4285.3	586 g
CK 2518/90 MVT	4361.3	638 g
CK 2518/90 OVT	4287.3	625 g
CK 2518/111 MV	4362.3	612 g
CK 2518/111 OV	4289.3	644 g
CK 2518/111 MVT	4363.3	700 g
CK 2518/111 OVT	4291.3	671 g

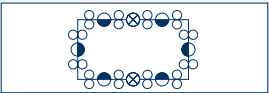
Threaded drill hole options

Without knock-outs



M	A/B	C/D
12	33	20
16	18	10
20	14	8
25	11	5
32	5	3
40	4	2
50	3	1
63	-	-

with M knock-out



Knock-outs	A/B	C/D
M20	16	8
M25/32	4	2
M32/40	2	-

Accessories

Qty.

DIN rail section TS15

Cat. no.

DIN rail section TS35 TS 35 / 144 mm long

Cat. no.

4507.4

1

Mounting plate MP

MP/CK 2518

Cat. no.

4511.9

1

Wall brackets WL

WL/CK

Cat. no.

4512.1

1

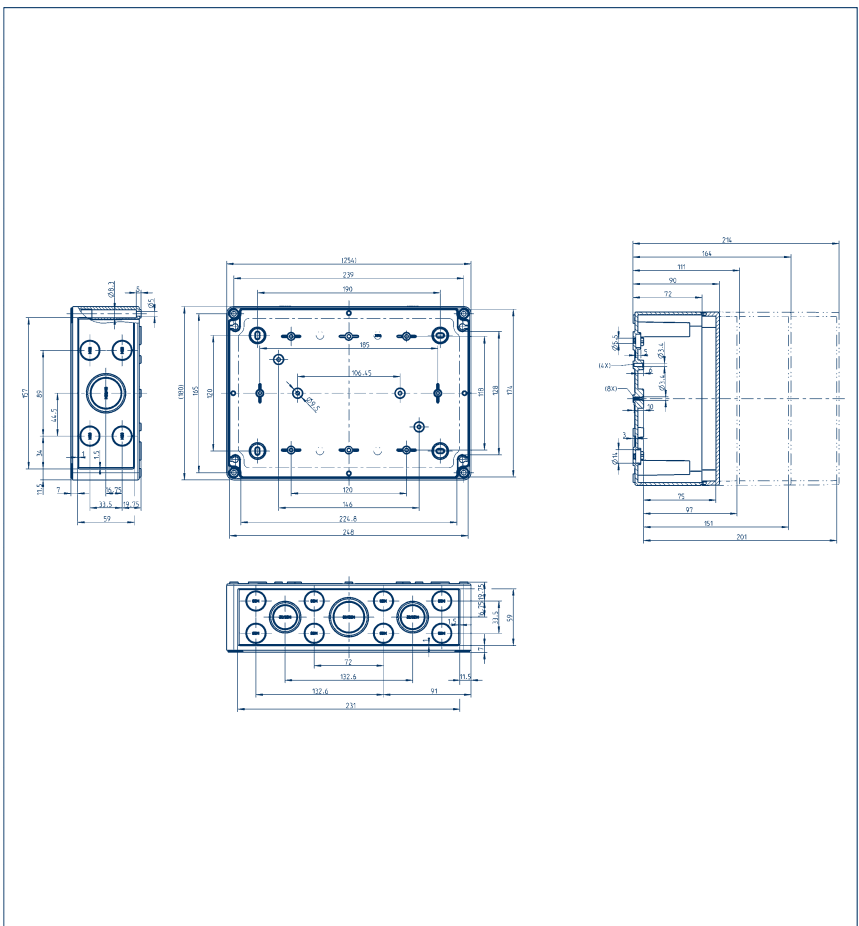
External joints (pair) AG

AG/CK 1811-CK 3625

Cat. no.

4512.3

Dimensional diagram

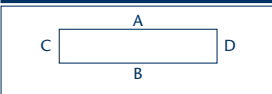


CK 2518/165 | CK 2518/215

Type	Cat. no.	Wt.
CK 2518/165 MV	4364.3	785 g
CK 2518/165 OV	4293.3	814 g
CK 2518/165 MVT	4365.3	850 g
CK 2518/165 OVT	4295.3	875 g
CK 2518/215 OV	4297.3	1000 g
CK 2518/215 OVT	4299.3	1050 g

Threaded drill hole options

Without knock-outs



M	A/B	C/D
12	33	20
16	18	10
20	14	8
25	11	5
32	5	3
40	4	2
50	3	1
63	-	-

with M knock-out



Knock-outs	A/B	C/D
M 20	16	8
M 25/32	4	2
M 32/40	2	-

* Cannot be rotated

Accessories

Qty.

DIN rail section TS15

Cat. no.

DIN rail section TS35 TS 35 / 144 mm long

Cat. no.

4507.4

1

Mounting plate MP

MP/CK 2518

Cat. no.

4511.9

1

Wall brackets WL

WL/CK

Cat. no.

4512.1

1

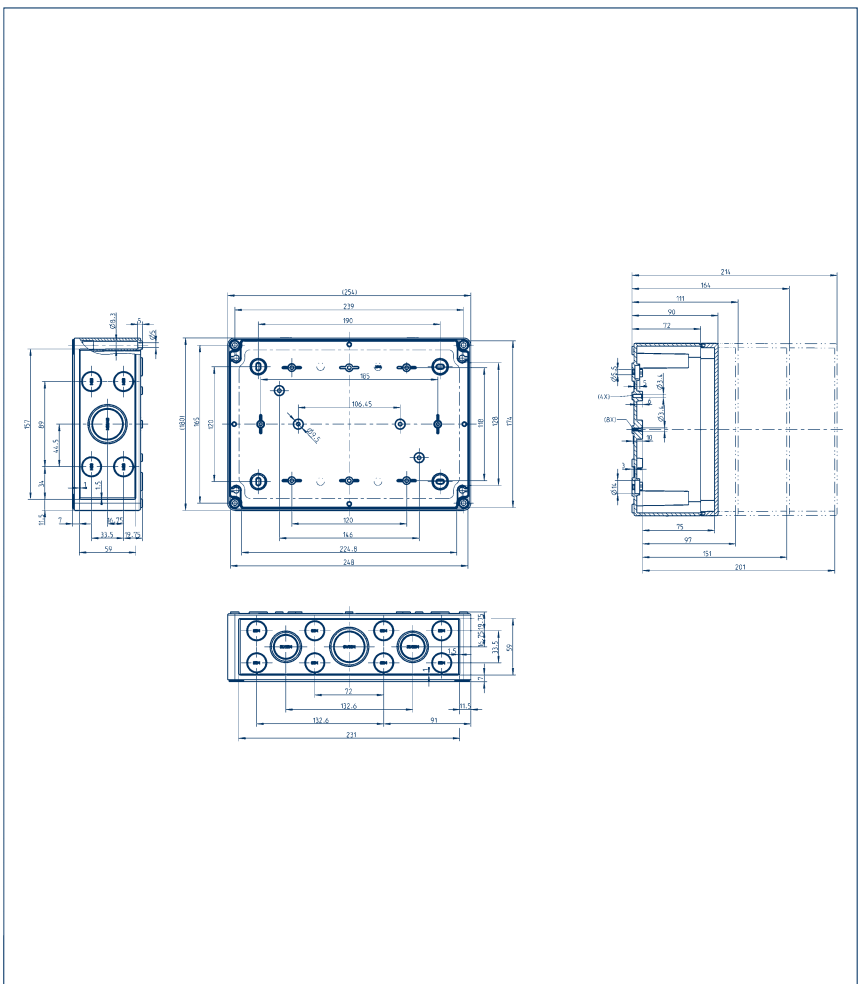
External joints (pair) AG

AG/CK 1811-CK 3625

Cat. no.

4512.3

Dimensional diagram



Knock-outs: ○ = M16/20 ○ = M20 ● = M20/25
 ● = M25/32 ⊗ = M32/40

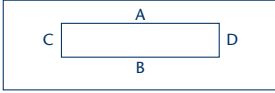
Polystyrene housing CK

CK 3625/111 | CK 3625/165

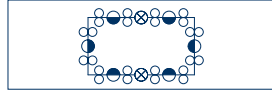
Type	Cat. no.	Wt.
CK 3625/111 MV	4324.3	1113 g
CK 3625/111 OV	4217.3	1133 g
CK 3625/111 MVT	4325.3	1174 g
CK 3625/111 OVT	4219.3	1234 g
CK 3625/165 MV	4326.3	1380 g
CK 3625/165 OV	4221.3	1396 g
CK 3625/165 MVT	4327.3	1550 g
CK 3625/165 OVT	4223.3	1650 g

Threaded drill hole options

Without knock-outs



with M knock-out

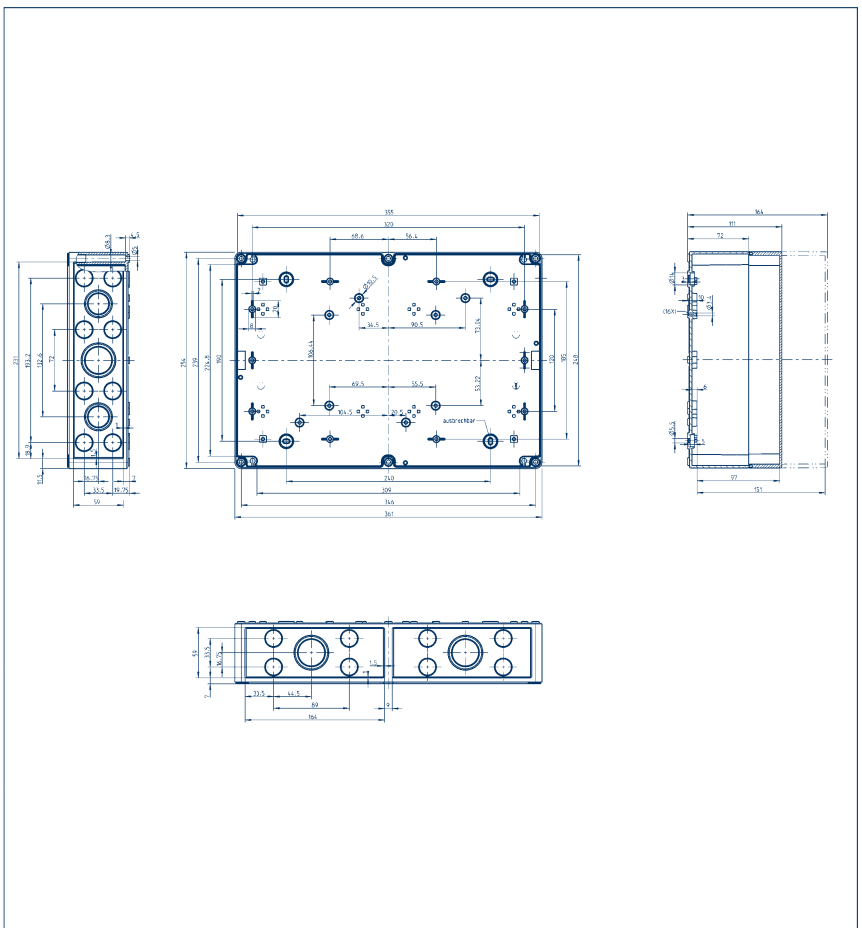


M	A/B	C/D	Knock-outs	A/B	C/D
12	42	33	M 20	16	16
16	24	18	M 25/30	-	4
20	16	14	M 32/40	4	2
25	8	11			
32	6	5			
40	4	4			
50	4	3			
63	-	-			

Accessories

		Qty.
DIN rail section TS15		
Cat. no.		
DIN rail section TS35	TS 35 / 336 mm long	
Cat. no.	4559.8	1
Mounting plate MP	MP/CK 3625	
Cat. no.	4512.0	1
Wall brackets WL	WL/CK	
Cat. no.	4512.1	1
External joints (pair) AG	AG/CK 1811-CK 3625	
Cat. no.	4512.3	1

Dimensional diagram



Knock-outs: ○ = M16/20 ○ = M20 ● = M20/25
 ● = M25/32 ⊗ = M32/40

Polystyrene housing CK

Accessories

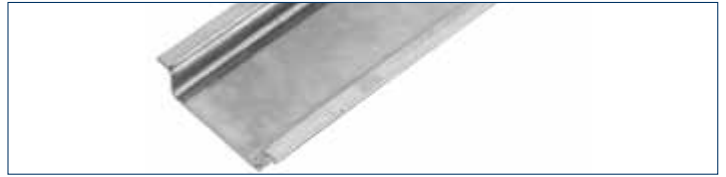
Mounting plate



Material: Hard, melamine-laminated paper
 Colour: grey, similar to RAL 7035

Type	Cat. no.	Qty.	Housing Type
MP/CK 77	4511.0	1	CK 77
MP/CK 97	4511.1	1	CK 97
MP/CK 99	4511.2	1	CK 99
MP/CK 1111	4511.3	1	CK 1111
MP/CK 1309	4511.4	1	CK 1309
MP/CK 1313	4511.5	1	CK 1313
MP/CK 1809	4511.6	1	CK 1809
MP/CK 1811	4511.7	1	CK 1811
MP/CK 1813	4563.4	1	CK 1813
MP/CK 1818	4511.8	1	CK 1818
MP/CK 2518	4511.9	1	CK 2518
MP/CK 3625	4512.0	1	CK 3625

DIN rail TS35



Material: Galvanized steel

Type	Cat. no.	Qty.	Housing Type
TS 35 / 87 mm long	4559.3	1	CK 1111
TS 35 / 106 mm long	4559.5	1	CK 1309, CK 1313
TS 35 / 144 mm long	4507.4	1	CK 1809, CK 1811, CK 1813, CK1818, CK 2518
TS 35 / 336 mm long	4559.8	1	CK 3625

DIN rail TS15



Material: Galvanized steel

Type	Cat. no.	Qty.	Housing Type
TS 15 / 45 mm long	4559.0	1	CK 77
TS 15 / 75 mm long	4559.1	1	CK 97, CK 99
TS 15 / 87 mm long	4559.2	1	CK 1111
TS 15 / 106 mm long	4559.4	1	CK 1309, CK 1313
TS 15 / 147 mm long	4559.6	1	CK 1809

External joint AG/CK



Material: Polycarbonate
 Colour: grey, similar to RAL 7035

Type	Cat. no.	Qty.	Housing Type
AG/CK 77-CK 1809	4512.2	1	CK 77, CK 97, CK 99, CK 1111, CK 1309, CK 1313, CK 1809
AG/CK 1811-CK 3625	4512.3	1	CK 1811, CK 1818, CK 2518, CK 3625

External joint kit for converting the housing cover to a hinged door: including 2 hinges, drilling template, mounting screws and cover plugs

Wall brackets WL/CK



Material: Polyamide 6
 Colour: grey, similar to RAL 7035

Type	Cat. no.	Qty.	Housing Type
WL/CK	4512.1		All CK housings

Wall bracket set made of plastic: set = 4 pieces

Polycarbonate housing CK-PC

Polycarbonate housing

- 14 basic housings with up to 3 different cover heights
- Grey or transparent cover
- Material: glass-fibre reinforced polycarbonate
- Metric knock-outs
- Special photovoltaic designs
- A comprehensive line of accessories



Technical data

Material
Protection
Toxicity characteristics
Flamm. class acc. to UL 94
Thermal stability
Chemical resistance
Sea water resistance
UV resistance
Colour
Impact resistance

Glass-fibre reinforced polycarbonate

IP66

halogen-free/cadmium-free

V-2 (5V₁)

-35° to +80°C

good

very good

good

grey, similar to RAL 7035

IK08 DIN EN 5012

Outer dimensions

Dimensional diagram

L	W	H	Page
65	50	35	31
65	65	57	31
65	65	81	31
94	65	57	32
94	65	81	32
94	94	57	32
94	94	81	32
110	110	66	33
110	110	90	33
130	94	57	33
130	94	81	33
130	130	75	34
130	130	99	34
180	94	57	34
180	94	81	34
180	110	90	35
180	110	111	35
180	110	165	35
180	130	63	35
180	130	84	35
180	130	90	36
180	130	111	36
180	130	165	36
182	180	90	36
182	180	111	36
182	180	165	36
254	180	63	37
254	180	84	37
254	180	90	37
254	180	111	37
254	180	165	37
361	254	111	38
361	254	165	38
182	180	90	38
254	180	90	39
361	254	111	39

Grey polycarbonate cover Lower part with knock-outs

Type	Cat. no.
CK-PC 75/35 MV	4370.2
CK-PC 77/57 MV	4372.2
CK-PC 77/81 MV	4374.2
CK-PC 97/57 MV	4376.2
CK-PC 97/81 MV	4378.2
CK-PC 99/57 MV	4380.2
CK-PC 99/81 MV	4382.2
CK-PC 1111/66 MV	4384.2
CK-PC 1111/90 MV	4386.2
CK-PC 1309/57 MV	4388.2
CK-PC 1309/81 MV	4390.2
CK-PC 1313/75 MV	4392.2
CK-PC 1313/99 MV	4394.2
CK-PC 1809/57 MV	4396.2
CK-PC 1809/81 MV	4398.2
CK-PC 1811/90 MV	4400.2
CK-PC 1811/111 MV	4402.2
CK-PC 1811/165 MV	4404.2
CK-PC 1813/63 MV	31120.2
CK-PC 1813/84 MV	31121.2
CK-PC 1813/90 MV	31122.2
CK-PC 1813/111 MV	31116.2
CK-PC 1813/165 MV	31118.2
CK-PC 1818/90 MV	4406.2
CK-PC 1818/111 MV	4408.2
CK-PC 1818/165 MV	4410.2
CK-PC 2518/63 MV	4412.2
CK-PC 2518/84 MV	4416.2
CK-PC 2518/90 MV	4420.2
CK-PC 2518/111 MV	4422.2
CK-PC 2518/165 MV	4424.2
CK-PC 3625/111 MV	4428.2
CK-PC 3625/165 MV	4430.2

Polycarbonate cover, transparent Lower part with knock-outs

Type	Cat. no.
CK-PC 75/35 MVT	4371.2
CK-PC 77/57 MVT	4373.2
CK-PC 77/81 MVT	4375.2
CK-PC 97/57 MVT	4377.2
CK-PC 97/81 MVT	4379.2
CK-PC 99/57 MVT	4381.2
CK-PC 99/81 MVT	4383.2
CK-PC 1111/66 MVT	4385.2
CK-PC 1111/90 MVT	4387.2
CK-PC 1309/57 MVT	4389.2
CK-PC 1309/81 MVT	4391.2
CK-PC 1313/75 MVT	4393.2
CK-PC 1313/99 MVT	4395.2
CK-PC 1809/57 MVT	4397.2
CK-PC 1809/81 MVT	4399.2
CK-PC 1811/90 MVT	4401.2
CK-PC 1811/111 MVT	4403.2
CK-PC 1811/165 MVT	4405.2
CK-PC 1813/90 MVT	31123.2
CK-PC 1813/111 MVT	31117.2
CK-PC 1813/165 MVT	31119.2
CK-PC 1818/90 MVT	4407.2
CK-PC 1818/111 MVT	4409.2
CK-PC 1818/165 MVT	4411.2
CK-PC 2518/63 MVT	4414.2
CK-PC 2518/84 MVT	4418.2
CK-PC 2518/90 MVT	4421.2
CK-PC 2518/111 MVT	4423.2
CK-PC 2518/165 MVT	4425.2
CK-PC 3625/111 MVT	4429.2
CK-PC 3625/165 MVT	4431.2
CK-PC 1818/90 MVT PV	4413.2
CK-PC 2518/90 MVT PV	4426.2
CK-PC 3625/111 MVT PV	4427.2

Polycarbonate housing CK-PC

CK-PC 75/35	Type	Cat. no.	Wt.
CK-PC 75/35 MV		4370.2	44 g
CK-PC 75/35 MVT		4371.2	75 g

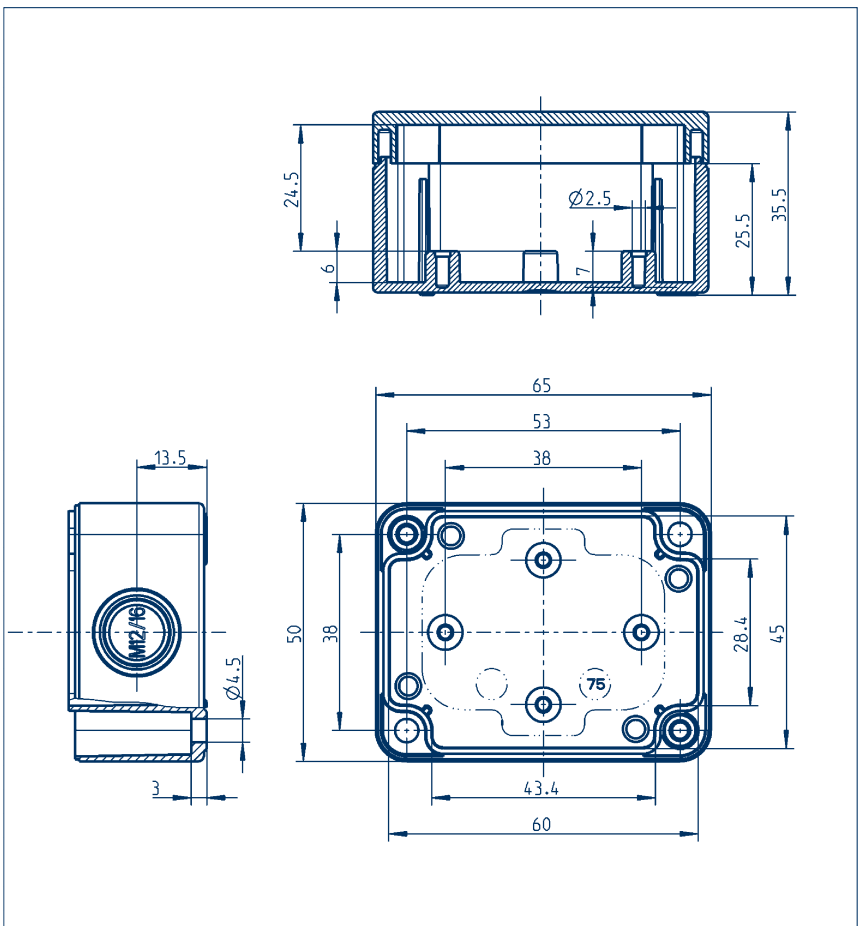
Threaded drill hole options

Without knock-outs			with M knock-out		
M	A/B	C/D	Knock-outs	A/B	C/D
12	-	-	M 16/20	-	- / 1
16	-	-			
20	-	-			
25	-	-			
32	-	-			
40	-	-			
50	-	-			
63	-	-			

Accessories

	Qty.
DIN rail section TS15	
Cat. no.	
DIN rail section TS35	
Cat. no.	
Mounting plate MP	
Cat. no.	
Wall brackets WL	
Cat. no.	
External joints (pair) AG	
Cat. no.	

Dimensional diagram



CK-PC 77/57 CK-PC 77/81	Type	Cat. no.	Wt.
CK-PC 77/57 MV		4372.2	85 g
CK-PC 77/57 MVT		4373.2	85 g
CK-PC 77/81 MV		4374.2	120 g
CK-PC 77/81 MVT		4375.2	120 g

Threaded drill hole options

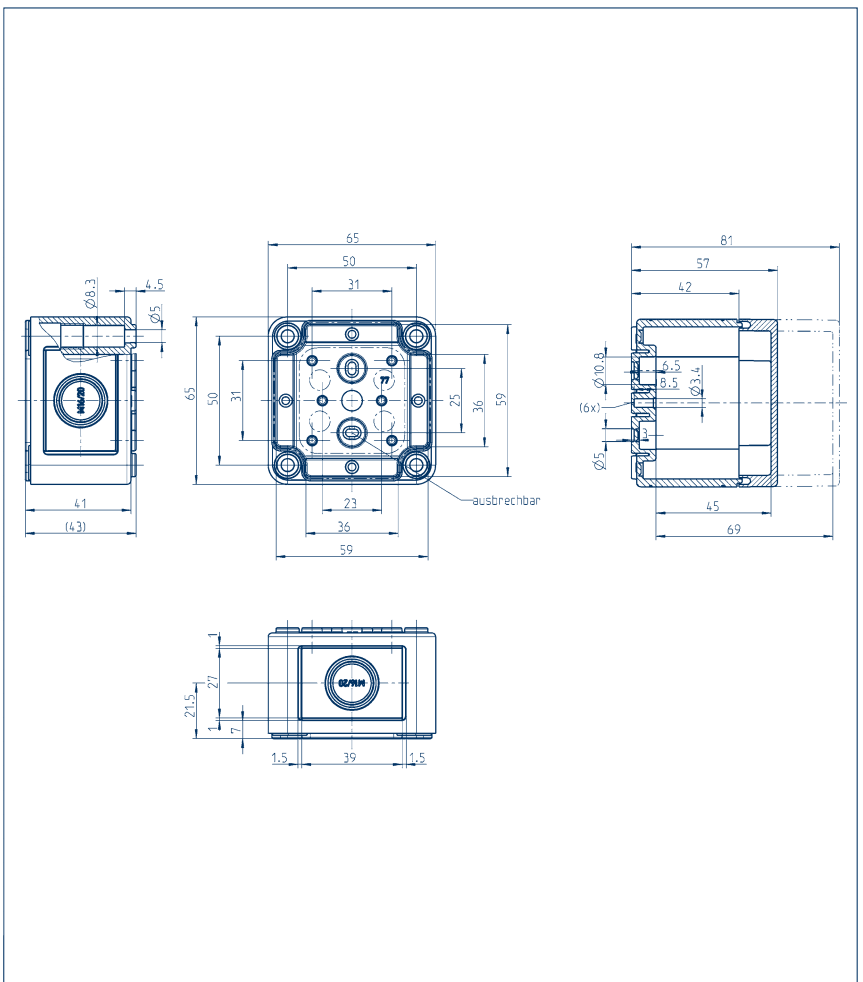
Without knock-outs			with M knock-out		
M	A/B	C/D	Knock-outs	A/B	C/D
12	-	-	M 16/20	-	- / 1
16	-	-			
20	-	-			
25	-	-			
32	-	-			
40	-	-			
50	-	-			
63	-	-			

* Cannot be rotated

Accessories

		Qty.
DIN rail section TS15	TS 15 / 45 mm long	
Cat. no.	4559.0	1
DIN rail section TS35		
Cat. no.		
Mounting plate MP	MP/CK 77	
Cat. no.	4511.0	1
Wall brackets WL	WL/CK	
Cat. no.	4512.1	1
External joints (pair) AG	AG/CK 77-CK 1809	
Cat. no.	4512.2	1

Dimensional diagram



Knock-outs: ○ = M12/16 ○ = M16/20 ○ = M20
 ● = M20/25 ● = M25/32 ⊗ = M32/40

Polycarbonate housing CK-PC

CK-PC 97/57 CK-PC 97/81		
Type	Cat. no.	Wt.
CK-PC 97/57 MV	4376.2	120 g
CK-PC 97/57 MVT	4377.2	120 g
CK-PC 97/81 MV	4378.2	147 g
CK-PC 97/81 MVT	4379.2	147 g

Threaded drill hole options

Without knock-outs			with M knock-out		
M	A/B	C/D	Knock-outs	A/B	C/D
12	-	-	M 16/20	2	1
16	-	-			
20	-	-			
25	-	-			
32	-	-			
40	-	-			
50	-	-			
63	-	-			

Accessories

		Qty.
DIN rail section TS15	TS 15 / 75 mm long	
Cat. no.	4559.1	1
DIN rail section TS35		
Cat. no.		
Mounting plate MP	MP/CK 97	
Cat. no.	4511.1	1
Wall brackets WL	WL/CK	
Cat. no.	4512.1	1
External joints (pair) AG	AG/CK 77-CK 1809	
Cat. no.	4512.2	1

CK-PC 99/57 CK-PC 99/81		
Type	Cat. no.	Wt.
CK-PC 99/57 MV	4380.2	127 g
CK-PC 99/57 MVT	4381.2	127 g
CK-PC 99/81 MV	4382.2	193 g
CK-PC 99/81 MVT	4383.2	193 g

Threaded drill hole options

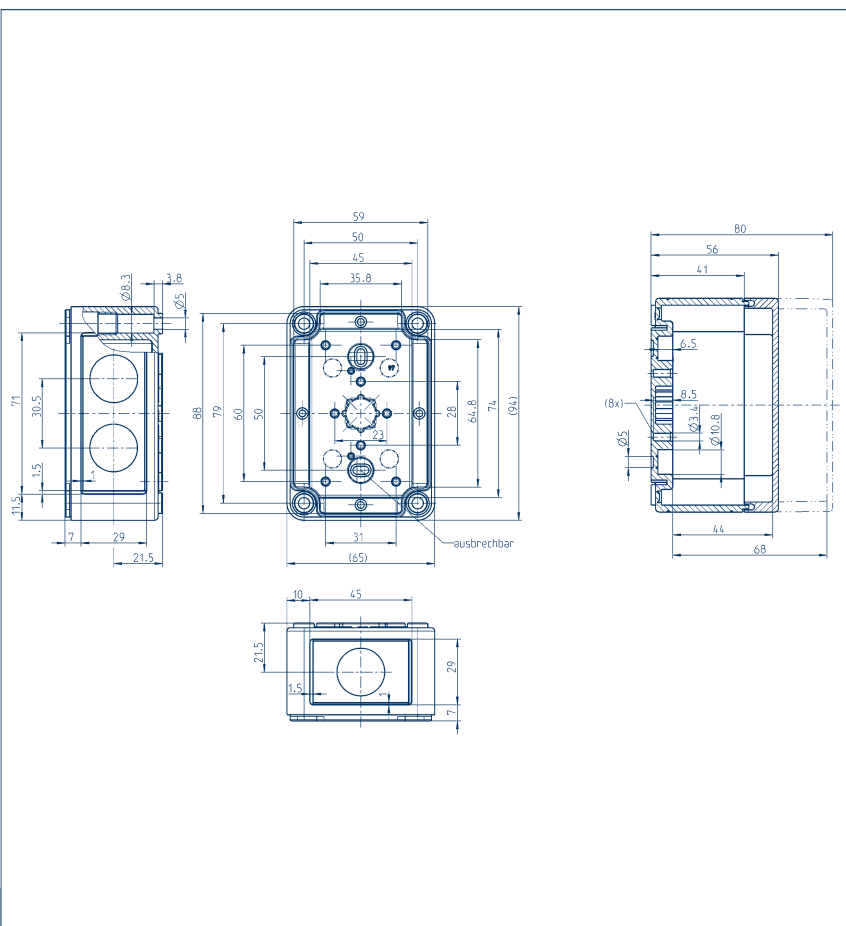
Without knock-outs			with M knock-out		
M	A/B	C/D	Knock-outs	A/B	C/D
12	-	-	M 16/20	1	2
16	-	-			
20	-	-			
25	-	-			
32	-	-			
40	-	-			
50	-	-			
63	-	-			

Accessories

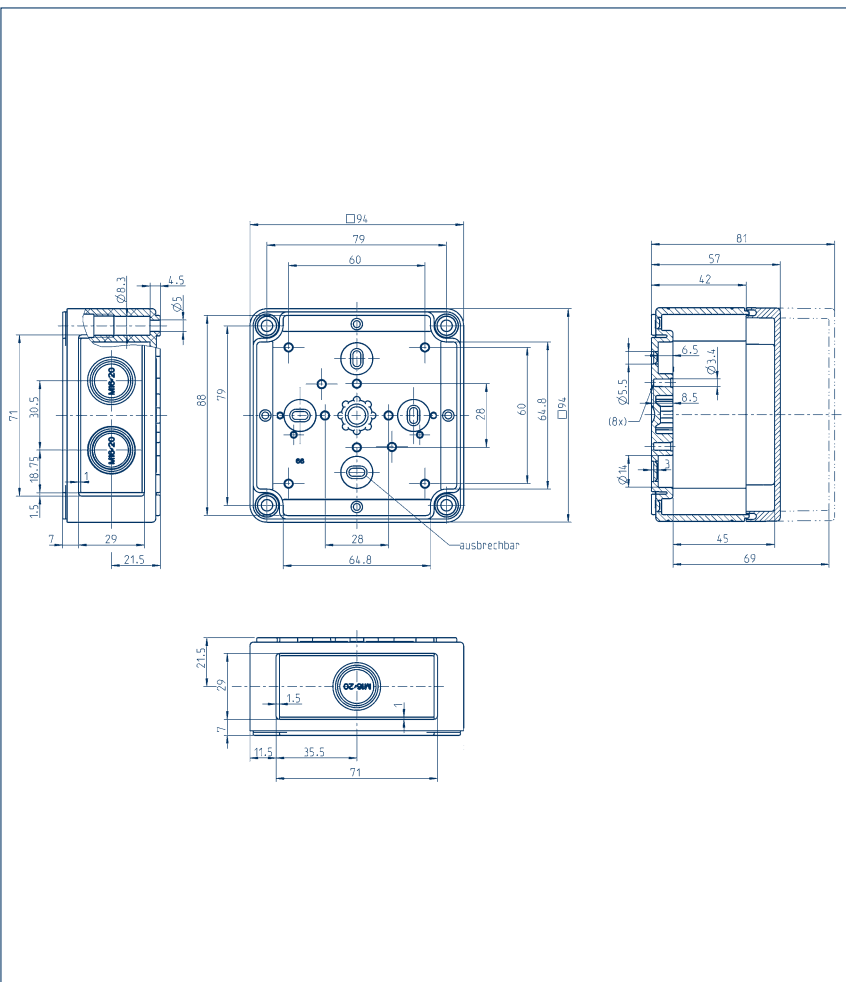
		Qty.
DIN rail section TS15	TS 15 / 75 mm long	
Cat. no.	4559.1	1
DIN rail section TS35		
Cat. no.		
Mounting plate MP	MP/CK 99	
Cat. no.	4511.2	1
Wall brackets WL	WL/CK	
Cat. no.	4512.1	1
External joints (pair) AG	AG/CK 77-CK 1809	
Cat. no.	4512.2	1

Knock-outs: ○ =M16/20 ○ =M20 ● =M20/25
● =M25/32 ⊗ =M32/40

Dimensional diagram



Dimensional diagram



Polycarbonate housing CK-PC

CK-PC 1111/66 CK-PC 1111/90		
Type	Cat. no.	Wt.
CK-PC 1111/66 MV	4384.2	181 g
CK-PC 1111/66 MVT	4385.2	181 g
CK-PC 1111/90 MV	4386.2	242 g
CK-PC 1111/90 MVT	4387.2	242 g

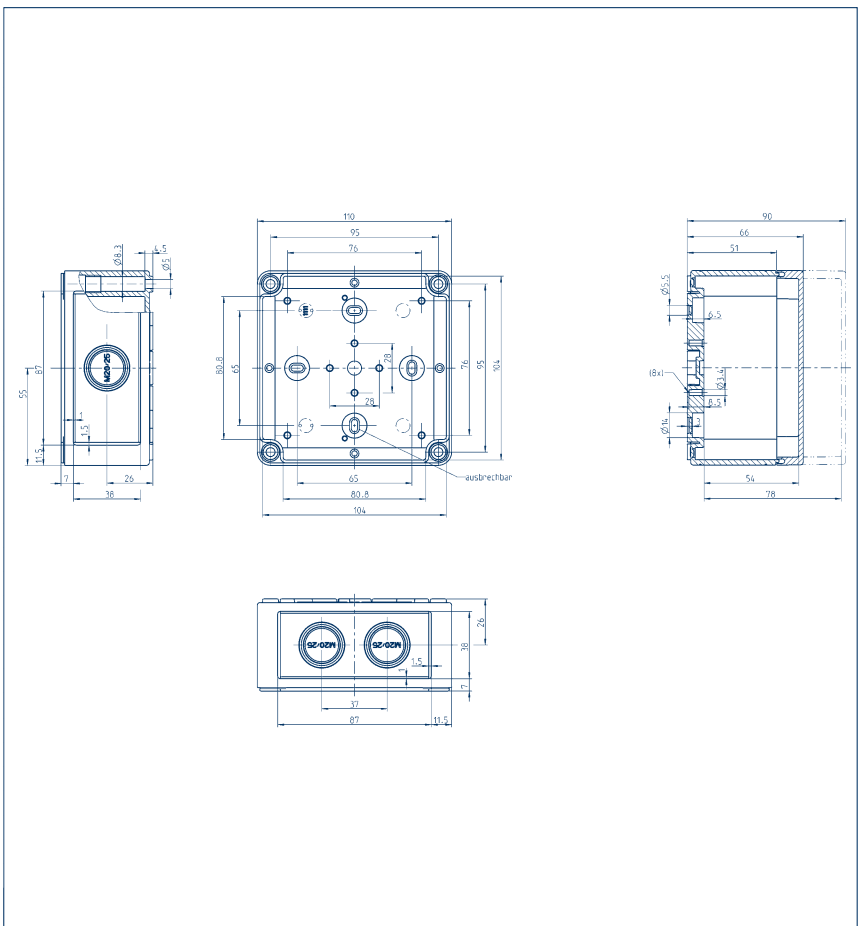
Threaded drill hole options

Without knock-outs			with M knock-out		
M	A/B	C/D	Knock-outs	A/B	C/D
12	-	-	M 20/25	1	2
16	-	-			
20	-	-			
25	-	-			
32	-	-			
40	-	-			
50	-	-			
63	-	-			

Accessories

		Qty.
DIN rail section TS15	TS 15 / 87 mm long	
Cat. no.	4559.2	1
DIN rail section TS35	TS 35 / 87 mm long	
Cat. no.	4559.3	1
Mounting plate MP	MP/CK 1111	
Cat. no.	4511.3	1
Wall brackets WL	WL/CK	
Cat. no.	4512.1	1
External joints (pair) AG	AG/CK 77-CK 1809	
Cat. no.	4512.2	1

Dimensional diagram



CK-PC 1309/57 CK-PC 1309/81		
Type	Cat. no.	Wt.
CK-PC 1309/57 MV	4388.2	153 g
CK-PC 1309/57 MVT	4389.2	153 g
CK-PC 1309/81 MV	4390.2	200 g
CK-PC 1309/81 MVT	4391.2	200 g

Threaded drill hole options

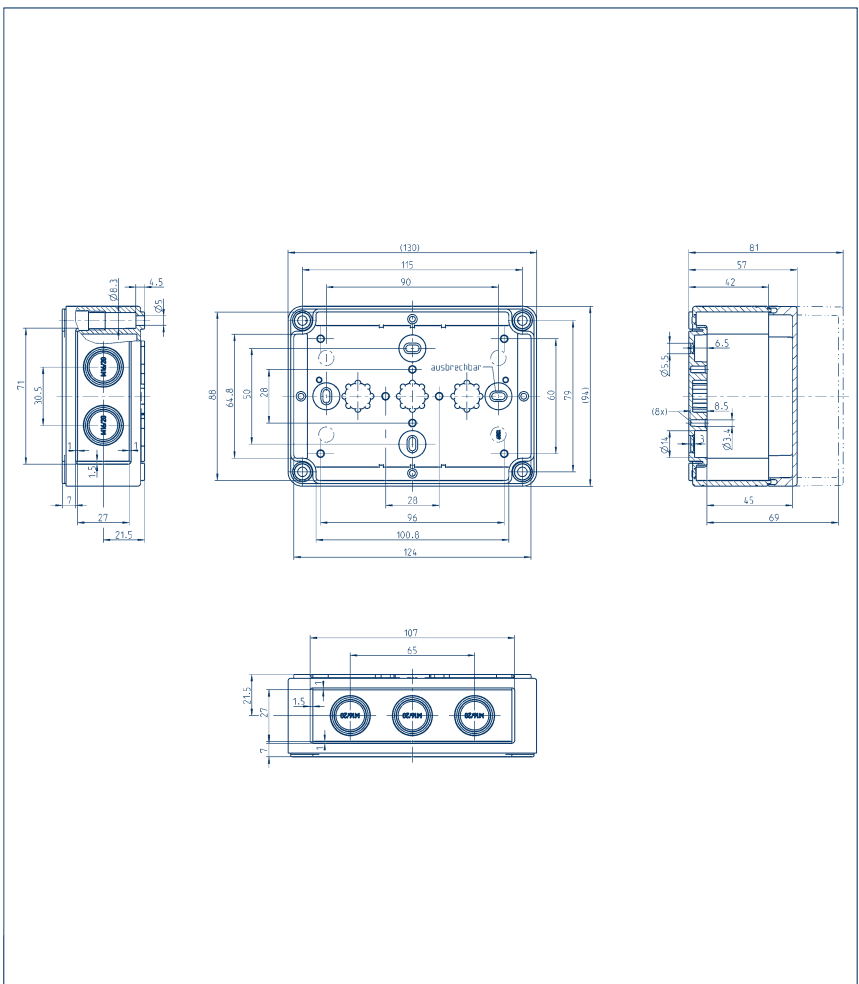
Without knock-outs			with M knock-out		
M	A/B	C/D	Knock-outs	A/B	C/D
12	-	-	M 16/20	3	2
16	-	-			
20	-	-			
25	-	-			
32	-	-			
40	-	-			
50	-	-			
63	-	-			

* Cannot be rotated

Accessories

		Qty.
DIN rail section TS15	TS 15 / 106 mm long	
Cat. no.	4559.4	1
DIN rail section TS35	TS 35 / 106 mm long	
Cat. no.	4559.5	1
Mounting plate MP	MP/CK 1309	
Cat. no.	4511.4	1
Wall brackets WL	WL/CK	
Cat. no.	4512.1	1
External joints (pair) AG	AG/CK 77-CK 1809	
Cat. no.	4512.2	1

Dimensional diagram



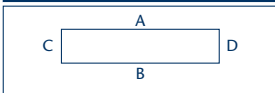
Knock-outs: ○ = M16/20 ○ = M20 ● = M20/25
 ● = M25/32 ⊗ = M32/40

Polycarbonate housing CK-PC

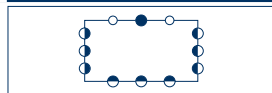
CK-PC 1313/75 CK-PC 1313/99		
Type	Cat. no.	Wt.
CK-PC 1313/75 MV	4392.2	243 g
CK-PC 1313/75 MVT	4393.2	243 g
CK-PC 1313/99 MV	4394.2	350 g
CK-PC 1313/99 MVT	4395.2	350 g

Threaded drill hole options

Without knock-outs



with M knock-out



M	A/B	C/D	Knock-outs	A/B	C/D
12	-	-	M 20	2	-
16	-	-	M 20/25	-	3
20	-	-	M 25/32	1	-
25	-	-			
32	-	-			
40	-	-			
50	-	-			
63	-	-			

Accessories

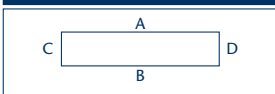
		Qty.
DIN rail section TS15	TS 15 / 106 mm long	
Cat. no.	4559.4	1
DIN rail section TS35	TS 35 / 106 mm long	
Cat. no.	4559.5	1
Mounting plate MP	MP/CK 1313	
Cat. no.	4511.5	1
Wall brackets WL	WL/CK	
Cat. no.	4512.1	1
External joints (pair) AG	AG/CK 77-CK 1809	
Cat. no.	4512.2	1

CK-PC 1809/57 | CK-PC 1809/81

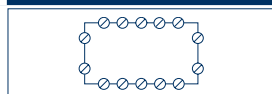
Type	Cat. no.	Wt.
CK-PC 1809/57 MV	4396.2	249 g
CK-PC 1809/57 MVT	4397.2	249 g
CK-PC 1809/81 MV	4398.2	277 g
CK-PC 1809/81 MVT	4399.2	277 g

Threaded drill hole options

Without knock-outs



with M knock-out



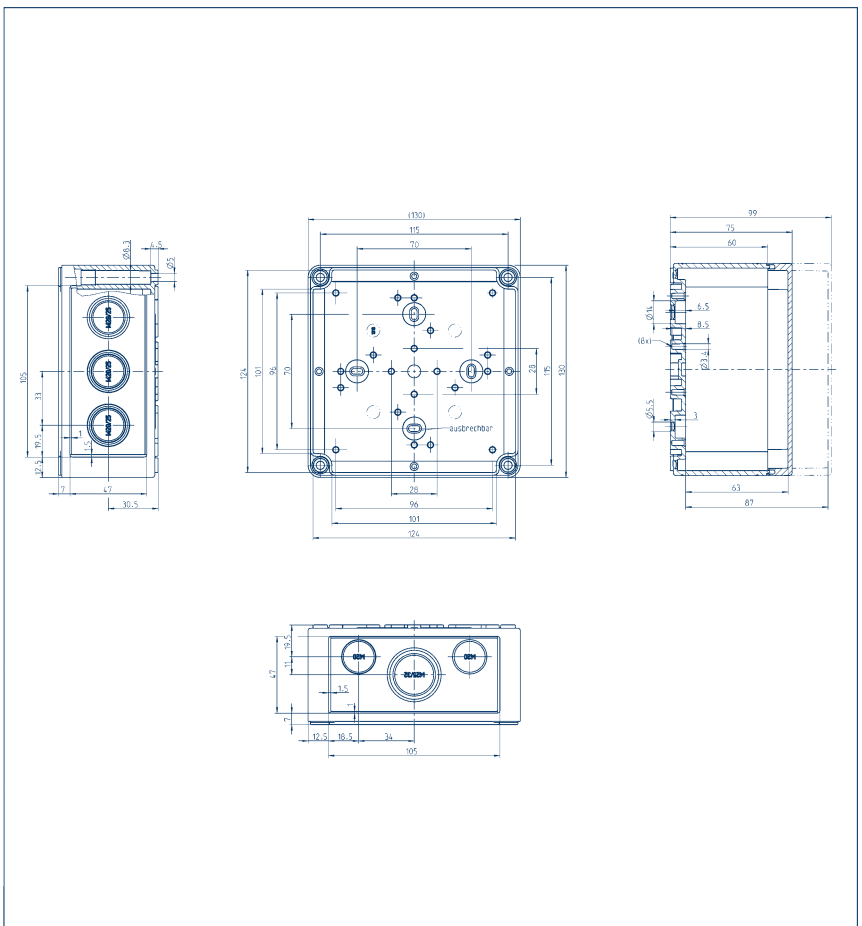
M	A/B	C/D	Knock-outs	A/B	C/D
12	-	-	M 16/20	5	2
16	-	-			
20	-	-			
25	-	-			
32	-	-			
40	-	-			
50	-	-			
63	-	-			

Accessories

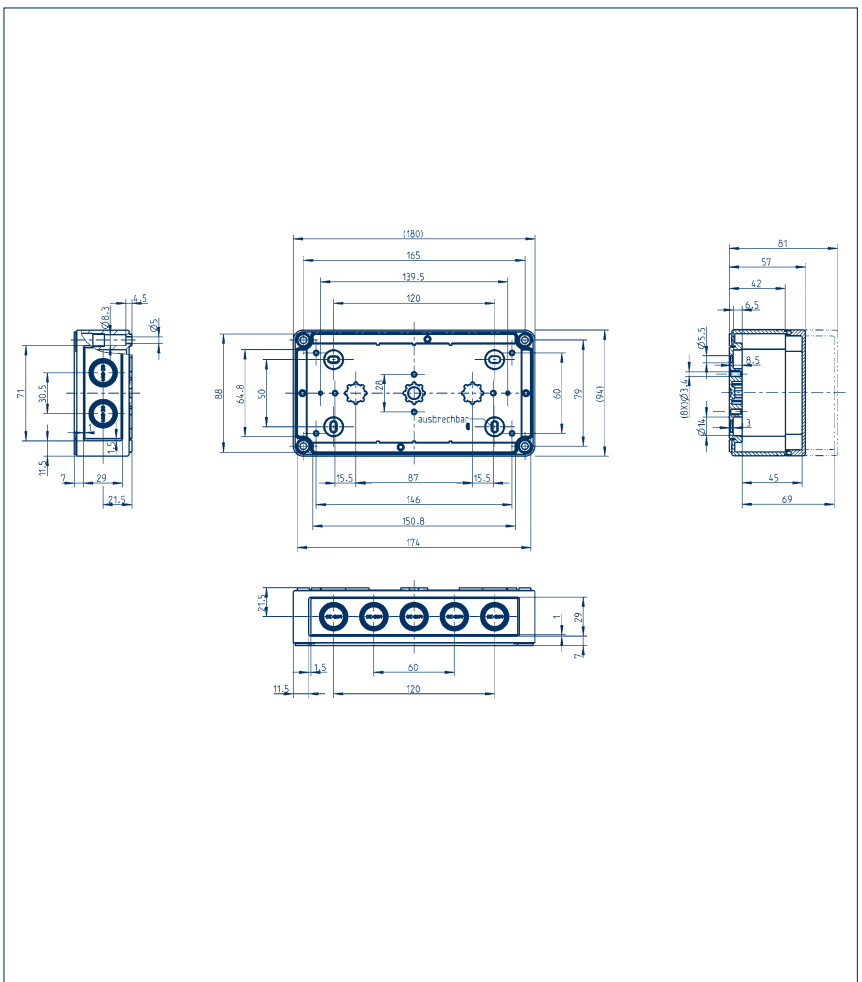
		Qty.
DIN rail section TS15	TS 15 / 147 mm long	
Cat. no.	4559.6	1
DIN rail section TS35	TS 35 / 144 mm long	
Cat. no.	4507.4	1
Mounting plate MP	MP/CK 1809	
Cat. no.	4511.6	1
Wall brackets WL	WL/CK	
Cat. no.	4512.1	1
External joints (pair) AG	AG/CK 77-CK 1809	
Cat. no.	4512.2	1

Knock-outs: ○ =M16/20 ○ =M20 ● =M20/25
● =M25/32 ⊗ =M32/40

Dimensional diagram



Dimensional diagram



Polycarbonate housing CK-PC

CK-PC 1811/90 CK-PC 1811/111 CK-PC 1811/165	Type	Cat. no.	Wt.
CK-PC 1811/90 MV		4400.2	344 g
CK-PC 1811/90 MVT		4401.2	344 g
CK-PC 1811/111 MV		4402.2	383 g
CK-PC 1811/111 MVT		4403.2	383 g
CK-PC 1811/165 MV		4404.2	513 g
CK-PC 1811/165 MVT		4405.2	513 g

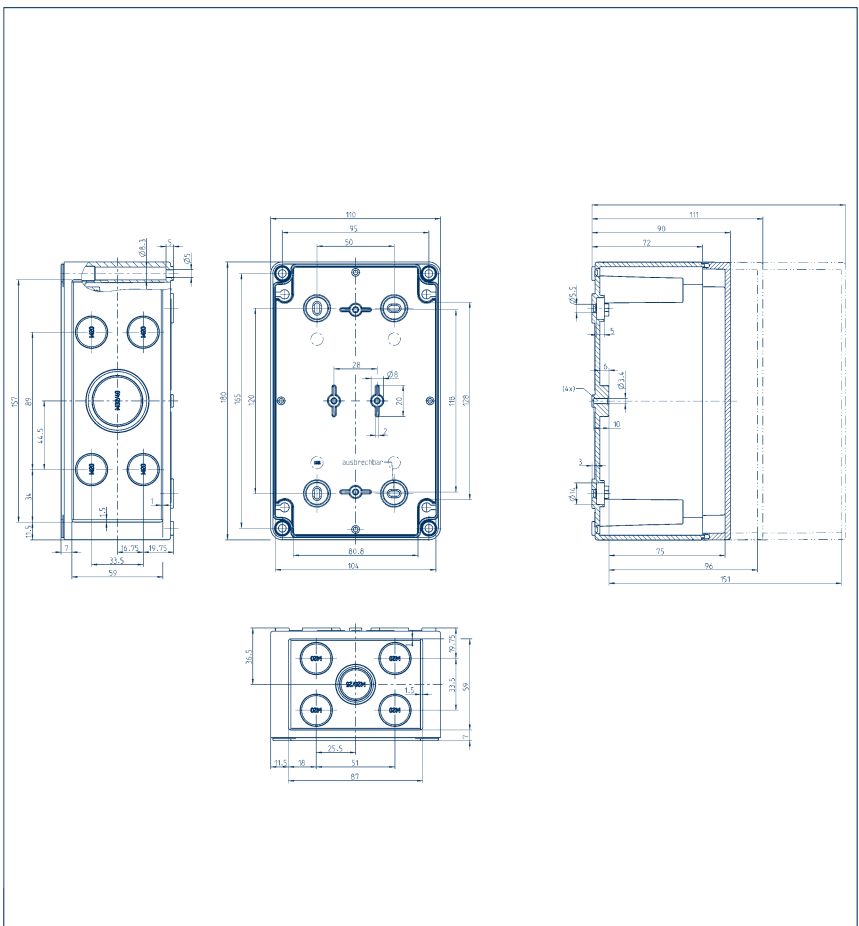
Threaded drill hole options

Without knock-outs			with M knock-out		
M	A/B	C/D	Knock-outs	A/B	C/D
12	-	-	M 20	4	4
16	-	-	M 20/25	-	1
20	-	-	M 32/40	1	-
25	-	-			
32	-	-			
40	-	-			
50	-	-			
63	-	-			

Accessories

DIN rail section TS15		Qty.
DIN rail section TS35	TS 35 / 144 mm long	
Cat. no.	4507.4	1
Mounting plate MP	MP/CK 1811	
Cat. no.	4511.7	1
Wall brackets WL	WL/CK	
Cat. no.	4512.1	1
External joints (pair) AG	AG/CK 1811-CK 3625	
Cat. no.	4512.3	1

Dimensional diagram



CK-PC 1813/63 CK-PC 1813/84	Type	Cat. no.	Wt.
CK PC 1813/63 MV		31120.2	420 g
CK PC 1813/84 MV		31121.2	635 g

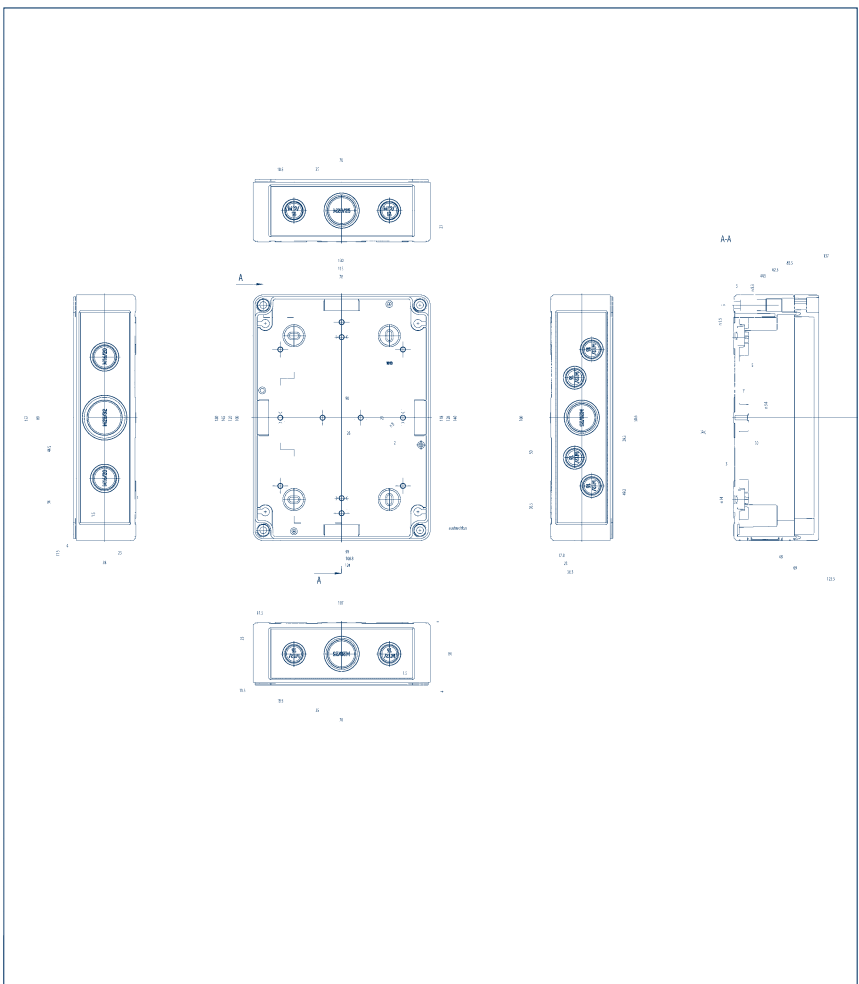
Threaded drill hole options

Without knock-outs			with M knock-out		
M	A/B	C/D	Knock-outs	A/B	C/D
12	-	-	M 12/16	4	4
16	-	-	M 16/20	2	
20	-	-	M 20/25	1	2
25	-	-	M 25/32	1	
32	-	-			
40	-	-			
50	-	-			
63	-	-			

Accessories

DIN rail section TS15		Qty.
DIN rail section TS35	TS 35 / 144 mm long	
Cat. no.	4507.4	1
Mounting plate MP	MP/CK 1813	
Cat. no.	4563.4	1
Wall brackets WL	WL/CK	
Cat. no.	4512.1	1
External joints (pair) AG	AG/CK 1811-CK 3625	
Cat. no.	4512.3	1

Dimensional diagram



Knock-outs: ○ = M16/20 ○ = M20 ● = M20/25
 ● = M25/32 ⊗ = M32/40

Polycarbonate housing CK-PC

CK-PC 1813/90 CK-PC 1813/111 CK-PC 1813/165	Type	Cat. no.	Wt.
	CK-PC 1813/90 MV	31122.2	440 g
	CK-PC 1813/90 MVT	31123.2	440 g
	CK-PC 1813/111 MV	31116.2	515 g
	CK-PC 1813/111 MVT	31117.2	515 g
	CK-PC 1813/165 MV	31118.2	670 g
	CK-PC 1813/165 MVT	31119.2	670 g

Threaded drill hole options

Without knock-outs			with M knock-out		
M	A/B	C/D	Knock-outs	A/B	C/D
12	-	-	M 12/16	4	2
16	-	-	M 16/20	6	7
20	-	-	M 20/25	1	2
25	-	-	M 25/32	1	
32	-	-			
40	-	-			
50	-	-			
63	-	-			

Accessories

		Qty.
DIN rail section TS15		
Cat. no.		
DIN rail section TS35	TS 35 / 144 mm long	
Cat. no.	4507.4	1
Mounting plate MP	MP/CK 1813	
Cat. no.	4563.4	1
Wall brackets WL	WL/CK	
Cat. no.	4512.1	1
External joints (pair) AG	AG/CK 1811-CK 3625	
Cat. no.	4512.3	1

CK-PC 1818/90 CK-PC 1818/111 CK-PC 1818/165	Type	Cat. no.	Wt.
	CK-PC 1818/90 MV	4406.2	475 g
	CK-PC 1818/90 MVT	4407.2	475 g
	CK-PC 1818/111 MV	4408.2	525 g
	CK-PC 1818/111 MVT	4409.2	525 g
	CK-PC 1818/165 MV	4410.2	675 g
	CK-PC 1818/165 MVT	4411.2	675 g

Threaded drill hole options

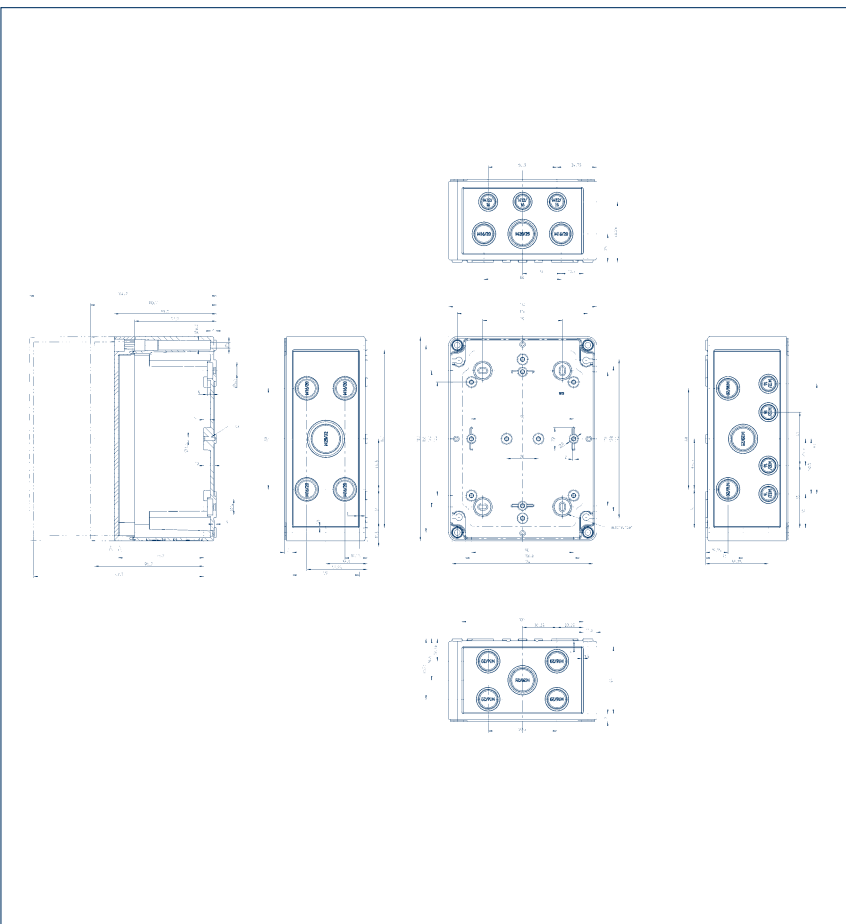
Without knock-outs			with M knock-out		
M	A/B	C/D	Knock-outs	A/B	C/D
12	-	-	M 20	8	4
16	-	-	M 32/40	1	1
20	-	-			
25	-	-			
32	-	-			
40	-	-			
50	-	-			
63	-	-			

Accessories

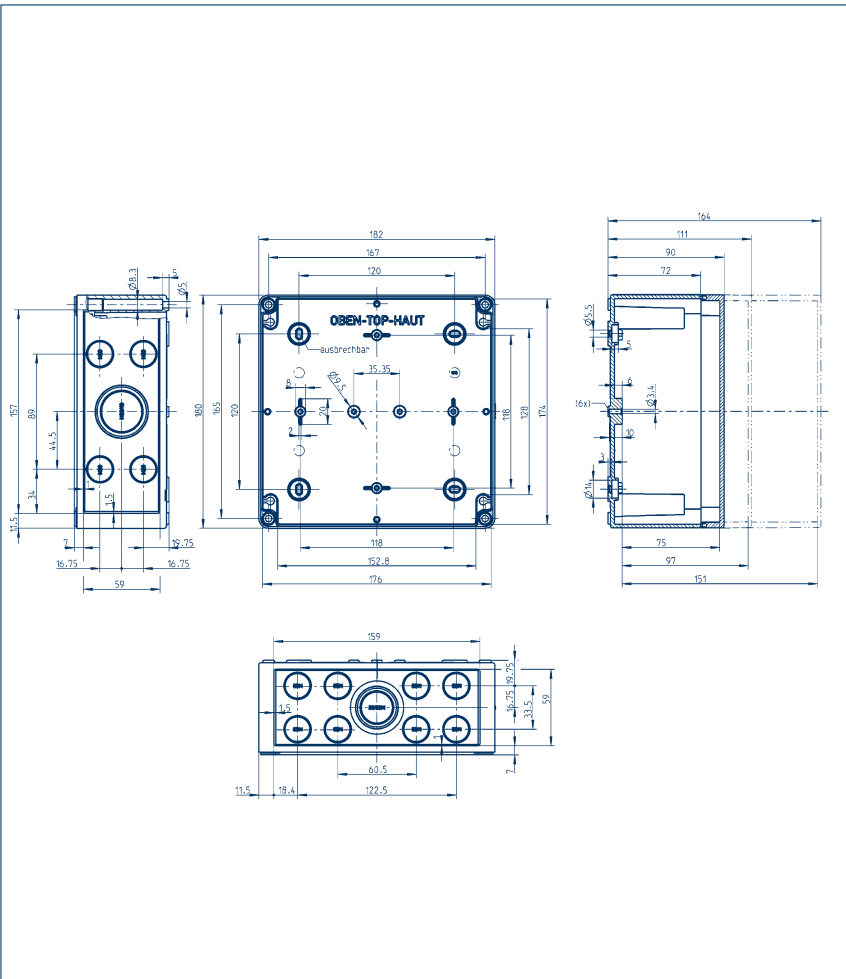
		Qty.
DIN rail section TS15		
Cat. no.		
DIN rail section TS35	TS 35 / 144 mm long	
Cat. no.	4507.4	1
Mounting plate MP	MP/CK 1818	
Cat. no.	4511.8	1
Wall brackets WL	WL/CK	
Cat. no.	4512.1	1
External joints (pair) AG	AG/CK 1811-CK 3625	
Cat. no.	4512.3	1

Knock-outs: ○ =M16/20 ○ =M20 ● =M20/25
 ● =M25/32 ⊗ =M32/40

Dimensional diagram



Dimensional diagram

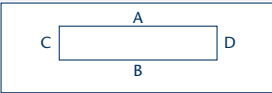


Polycarbonate housing CK-PC

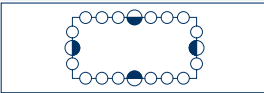
CK-PC 2518/63 CK-PC 2518/84		
Type	Cat. no.	Wt.
CK-PC 2518/63 MV	4412.2	575 g
CK-PC 2518/63 MVT	4414.2	575 g
CK-PC 2518/84 MV	4416.2	600 g
CK-PC 2518/84 MVT	4418.2	600 g

Threaded drill hole options

Without knock-outs



with M knock-out



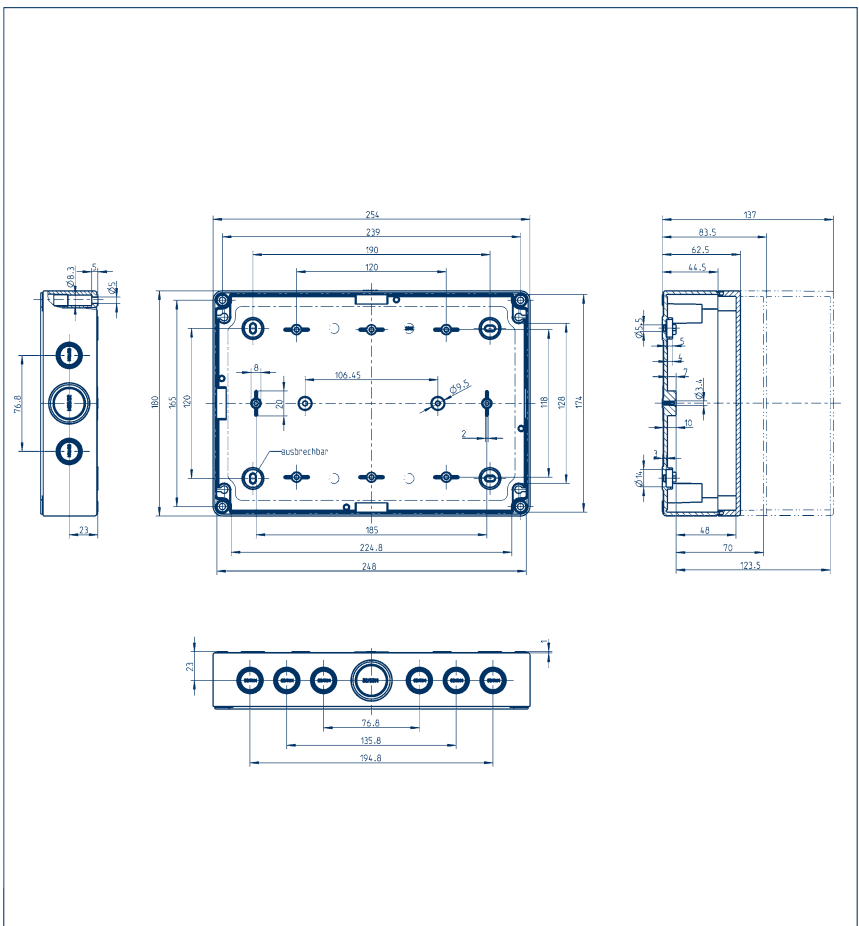
M	A/B	C/D	Knock-outs	A/B	C/D
12	-	-	M 16/20	6	4
16	-	-	M 25/32	2	2
20	-	-			
25	-	-			
32	-	-			
40	-	-			
50	-	-			
63	-	-			

Threaded drill hole options

DIN rail section TS15

DIN rail section	Cat. no.	Qty.
DIN rail section TS35	TS 35 / 144 mm long	1
Mounting plate MP	MP/CK 2518	1
Wall brackets WL	WL/CK	1
External joints (pair) AG	AG/CK 1811-CK 3625	1

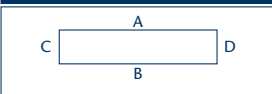
Dimensional diagram



CK-PC 2518/90 CK-PC 2518/111 CK-PC 2518/165		
Type	Cat. no.	Wt.
CK-PC 2518/90 MV	4420.2	698 g
CK-PC 2518/90 MVT	4421.2	698 g
CK-PC 2518/111 MV	4422.2	700 g
CK-PC 2518/111 MVT	4423.2	700 g
CK-PC 2518/165 MV	4424.2	850 g
CK-PC 2518/165 MVT	4425.2	850 g

Threaded drill hole options

Without knock-outs



with M knock-out

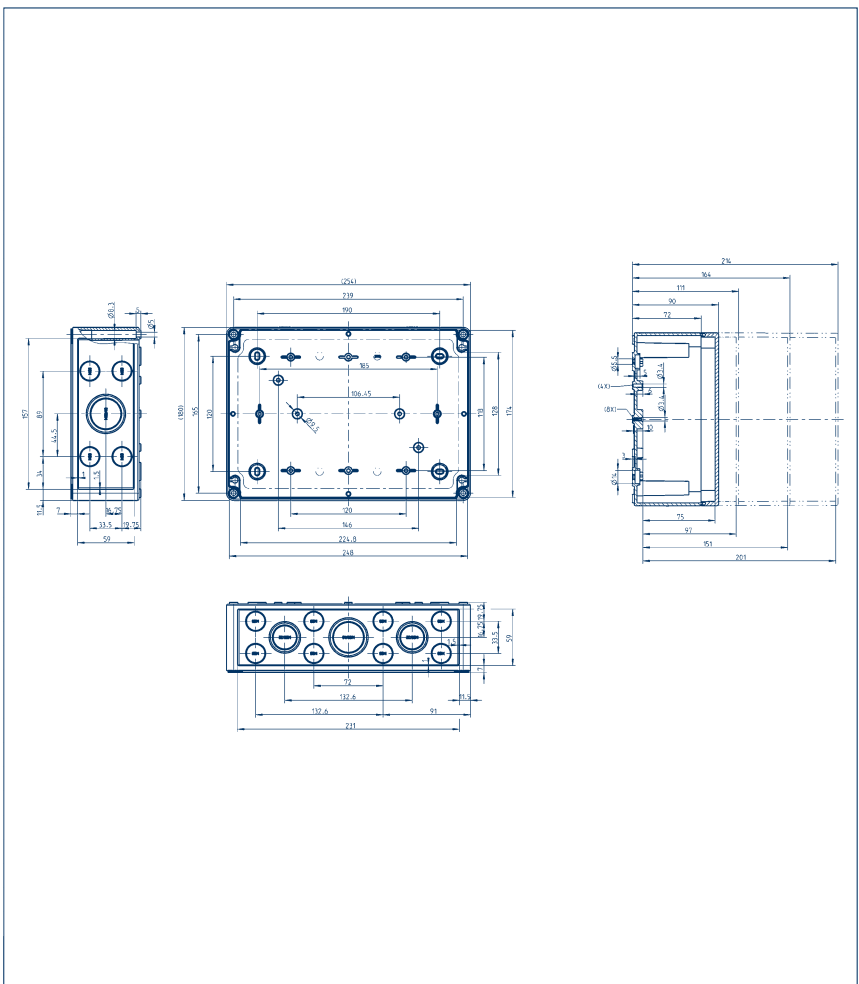


M	A/B	C/D	Knock-outs	A/B	C/D
12	-	-	M 20	8	4
16	-	-	M 25/32	4	2
20	-	-	M 32/40	2	
25	-	-			
32	-	-			
40	-	-			
50	-	-			
63	-	-			

Accessories

DIN rail section	Cat. no.	Qty.
DIN rail section TS15		
DIN rail section TS35	TS 35 / 144 mm long	1
Mounting plate MP	MP/CK 2518	1
Wall brackets WL	WL/CK	1
External joints (pair) AG	AG/CK 1811-CK 3625	1

Dimensional diagram



Knock-outs: ○ = M16/20 ○ = M20 ● = M20/25
 ● = M25/32 ⊗ = M32/40

Polycarbonate housing CK-PC PV

CK-PC 3625/111 CK-PC 3625/165		
Type	Cat. no.	Wt.
CK-PC 3625/111 MV	4428.2	1167 g
CK-PC 3625/111 MVT	4429.2	1167 g
CK-PC 3625/165 MV	4430.2	1550 g
CK-PC 3625/165 MVT	4431.2	1550 g

Threaded drill hole options

Without knock-outs			with M knock-out		
M	A/B	C/D	Knock-outs	A/B	C/D
12	-	-	M 20	8	8
16	-	-	M 25/30	-	2
20	-	-	M 32/40	2	1
25	-	-			
32	-	-			
40	-	-			
50	-	-			
63	-	-			

Accessories

		Qty.
DIN rail section TS15		
Cat. no.		
DIN rail section TS35	TS 35 / 336 mm long	
Cat. no.	4559.8	1
Mounting plate MP	MP/CK 3625	
Cat. no.	4512.0	1
Wall brackets WL	WL/CK	
Cat. no.	4512.1	1
External joints (pair) AG	AG/CK 1811-CK 3625	
Cat. no.	4512.3	1

CK-PC 1818/90 MVT PV

Type	Cat. no.	Wt.
CK-PC 1818/90 MVT PV	4413.2	475 g

Threaded drill hole options

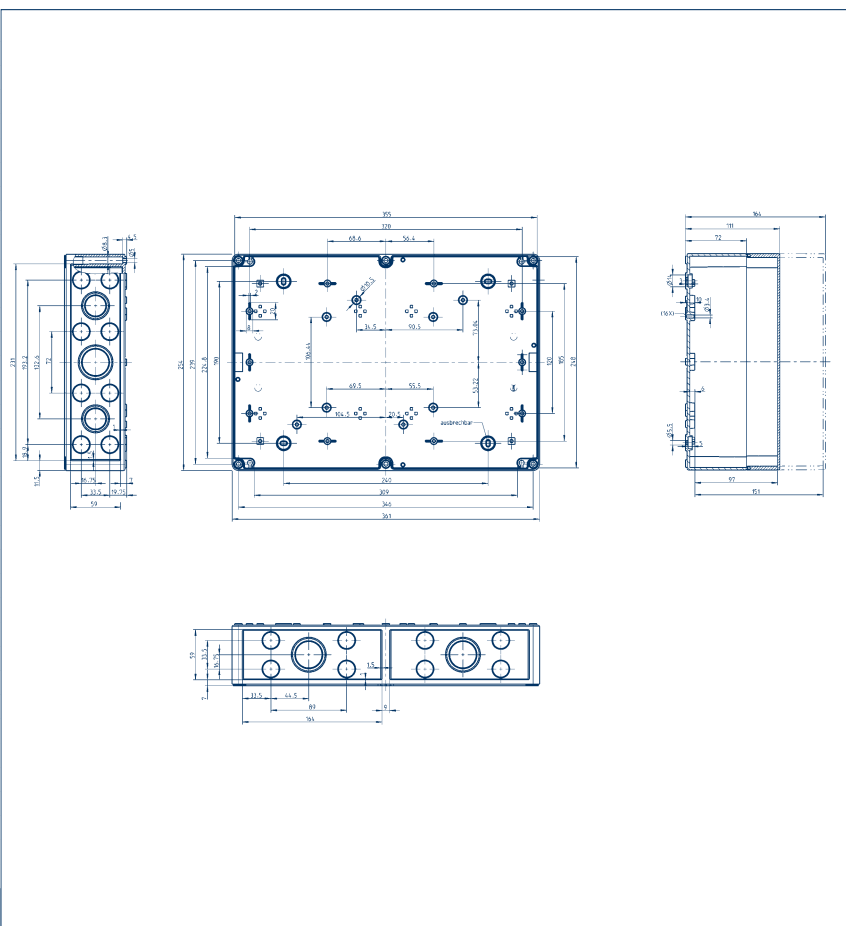
Without knock-outs			with M knock-out		
			Refer to dimension diagram		
M	A/B	C/D	Knock-outs	A/B	C/D
12	-	-	M 12/16	2	-
16	-	-	M 12/20	-	4
20	-	-	M 16	18	-
25	-	-	M 20/25	-	-
32	-	-			
40	-	-			
50	-	-			
63	-	-			

Accessories

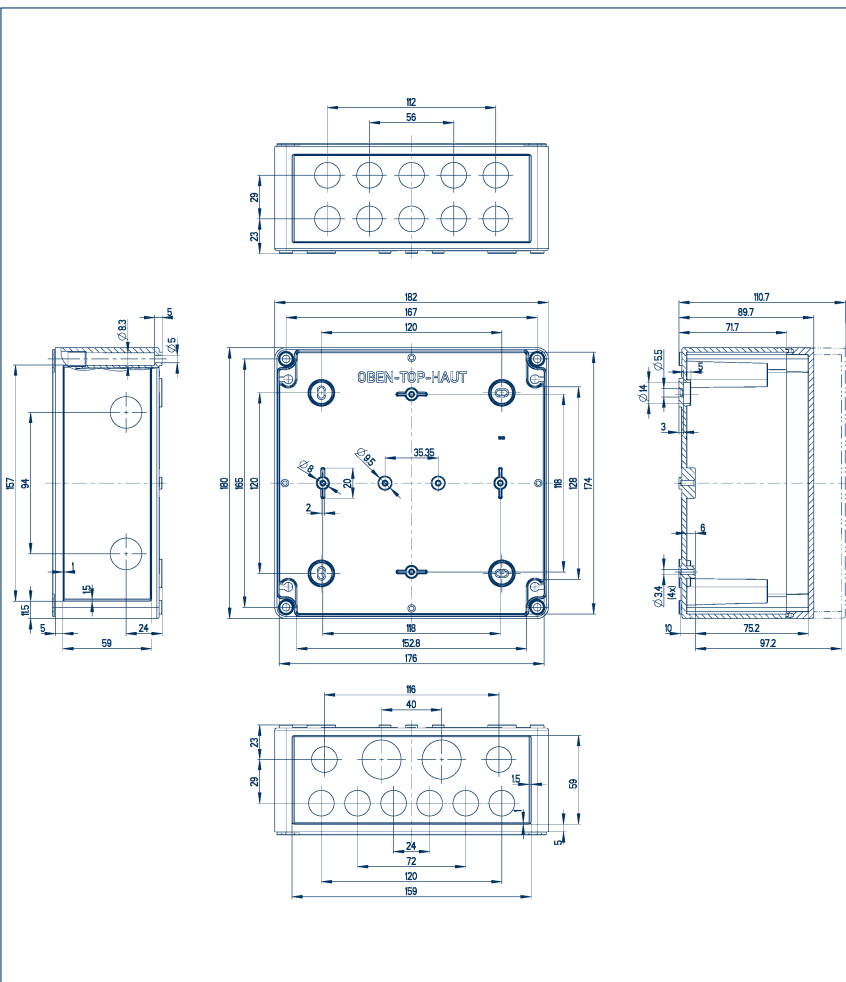
		Qty.
DIN rail section TS15		
Cat. no.		
DIN rail section TS35	TS 35 / 144 mm long	
Cat. no.	4507.4	1
Mounting plate MP	MP/CK 1818	
Cat. no.	4511.8	1
Wall brackets WL	WL/CK	
Cat. no.	4512.1	1
External joints (pair) AG	AG/CK 1811-CK 3625	
Cat. no.	4512.3	1

Knock-outs: =M16/20 =M20 =M20/25
 =M25/32 =M32/40

Dimensional diagram



Dimensional diagram



Polycarbonate housing CK-PC PV

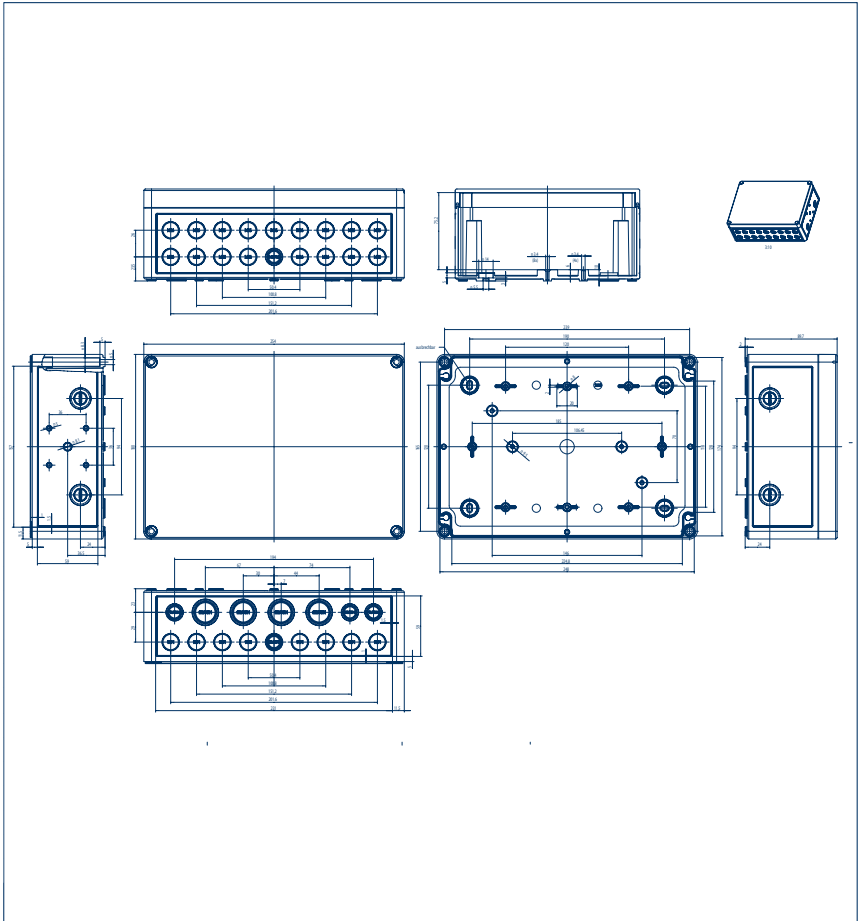
CK-PC 2518/90 MVT PV		
Type	Cat. no.	Wt.
CK-PC 2518/90 MVT PV	4426.2	638 g

Threaded drill hole options

Without knock-outs			with M knock-out		
			Refer to dimension diagram		
M	A/B	C/D	Knock-outs	A/B	C/D
12	-	-	M 12/16	5	-
16	-	-	M 12/20	-	4
20	-	-	M 16	25	-
25	-	-	M 20/25	4	-
32	-	-			
40	-	-			
50	-	-			
63	-	-			

Accessories		Qty.
DIN rail section TS15		
Cat. no.		
DIN rail section TS35	TS 35 / 144 mm long	
Cat. no.	4507.4	1
Mounting plate MP	MP/CK 2518	
Cat. no.	4511.9	1
Wall brackets WL	WL/CK	
Cat. no.	4512.1	1
External joints (pair) AG	AG/CK 1811-CK 3625	
Cat. no.	4512.3	1

Dimensional diagram



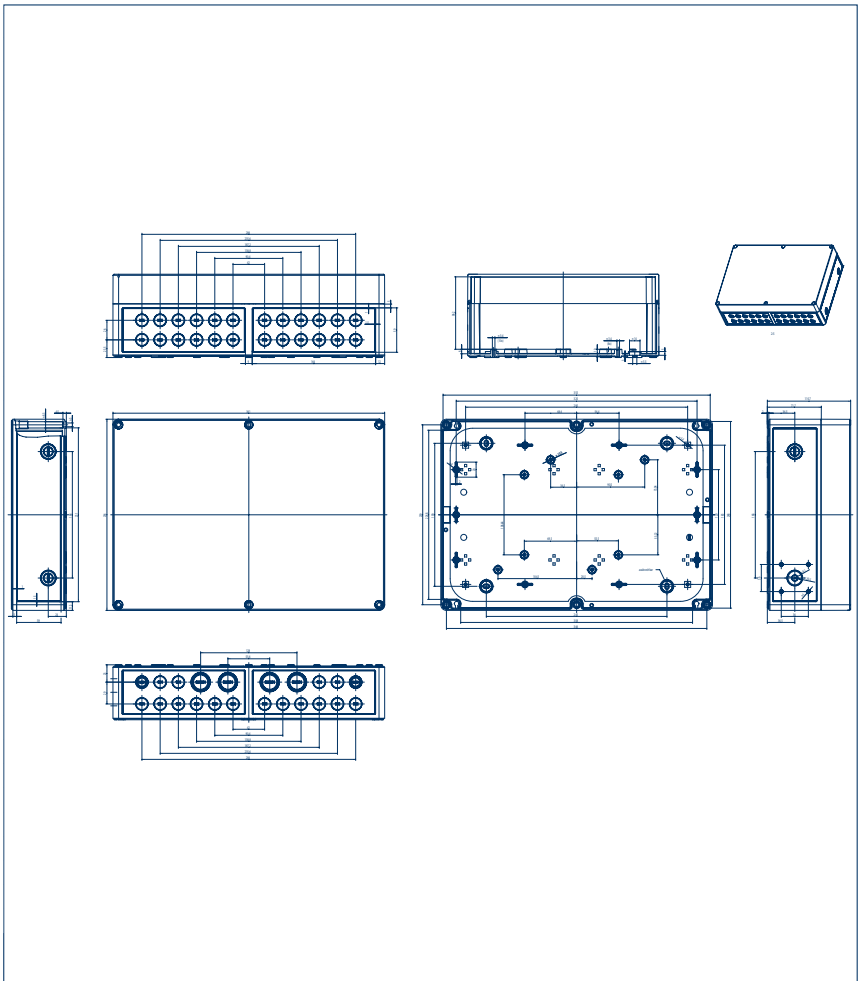
CK-PC 3625/111 MVT PV		
Type	Cat. no.	Wt.
CK-PC 3625/111 MVT PV	4427.2	1167 g

Threaded drill hole options

Without knock-outs			with M knock-out		
			Refer to dimension diagram		
M	A/B	C/D	Knock-outs	A/B	C/D
12	-	-	M 12/16	2	-
16	-	-	M 12/20	-	4
20	-	-	M 16	40	-
25	-	-	M 20/25	4	-
32	-	-			
40	-	-			
50	-	-			
63	-	-			

Accessories		Qty.
DIN rail section TS15		
Cat. no.		
DIN rail section TS35	TS 35 / 336 mm long	
Cat. no.	4559.8	1
Mounting plate MP	MP/CK 3625	
Cat. no.	4512.0	1
Wall brackets WL	WL/CK	
Cat. no.	4512.1	1
External joints (pair) AG	AG/CK 1811-CK 3625	
Cat. no.	4512.3	1

Dimensional diagram



Knock-outs: ○ =M16/20 ○ =M20 ● =M20/25
 ● =M25/32 ⊗ =M32/40

Polycarbonate housing CK-PC

Accessories

Mounting plate



Material: Hard, melamine-laminated paper
 Colour: grey, similar to RAL 7035

Type	Cat. no.	Qty.	Housing Type
MP/CK 75	4563.3	1	CK-PC 75
MP/CK 77	4511.0	1	CK-PC 77
MP/CK 97	4511.1	1	CK-PC 97
MP/CK 99	4511.2	1	CK-PC 99
MP/CK 1111	4511.3	1	CK-PC 1111
MP/CK 1309	4511.4	1	CK-PC 1309
MP/CK 1313	4511.5	1	CK-PC 1313
MP/CK 1809	4511.6	1	CK-PC 1809
MP/CK 1811	4511.7	1	CK-PC 1811
MP/CK 1813	4563.4	1	CK-PC 1813
MP/CK 1818	4511.8	1	CK-PC 1818
MP/CK 2518	4511.9	1	CK-PC 2518
MP/CK 3625	4512.0	1	CK-PC 3625

DIN rail TS35



Material: Galvanized steel

Type	Cat. no.	Qty.	Housing Type
TS 35 / 87 mm long	4559.3	1	CK 1111
TS 35 / 106 mm long	4559.5	1	CK 1309, CK 1313
TS 35 / 144 mm long	4507.4	1	CK 1809, CK 1811, CK 1813, CK 1818, CK 2518
TS 35 / 336 mm long	4559.8	1	CK 3625

DIN rail TS15



Material: Galvanized steel

Type	Cat. no.	Qty.	Housing Type
TS 15 / 45 mm long	4559.0	1	CK 77
TS 15 / 75 mm long	4559.1	1	CK 97, CK 99
TS 15 / 87 mm long	4559.2	1	CK 1111
TS 15 / 106 mm long	4559.4	1	CK 1309, CK 1313
TS 15 / 147 mm long	4559.6	1	CK 1809

External joint AG/CK



Material: Polyamide 6
 Colour: grey, similar to RAL 7035

Type	Cat. no.	Qty.	Housing Type
AG/CK 77-CK 1809	4512.2	1	CK 77, CK 97, CK 99, CK 1111, CK 1309, CK 1313, CK 1809
AG/CK 1811-CK 3625	4512.3	1	CK 1811, CK 1818, CK 2518, CK 3625

External joint kit for converting the housing cover to a hinged door: including 2 hinges, drilling template, mounting screws and cover plugs

Wall brackets WL/CK

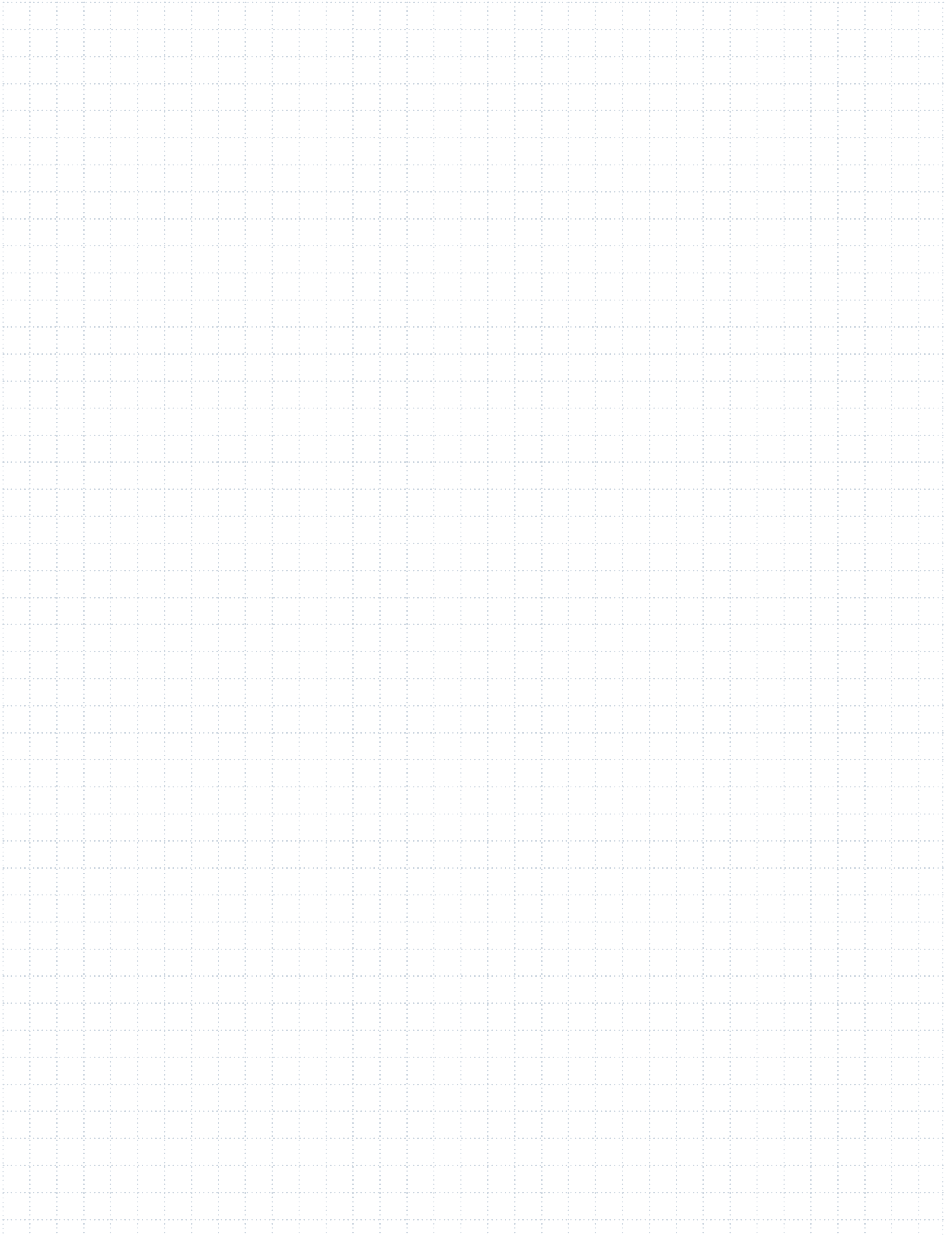


Material: Polyamide 6
 Colour: grey, similar to RAL 7035

Type	Cat. no.	Qty.	Housing Type
WL/CK	4512.1		All CK housings

Wall bracket set made of plastic: set = 4 pieces

Notes



Polyester housing CP

Polyester housing

- 13 basic housings with different cover heights
- Material: glass-fibre reinforced duro-plastic polyester
- Excellent impact resistance
- Smooth side walls
- A comprehensive line of accessories



Technical data

Material
Protection
Toxicity characteristics
Flamm. class acc. to UL 94
Thermal stability
Chemical resistance
Sea water resistance
UV resistance
Colour
Impact resistance

Glass-fibre reinforced duro-plastic polyester
IP66
Halogen-free
V-0
-40°C to +100°C
good
very good
good
grey, similar to RAL 7000
> 7 Joule, EN50014

Outer dimensions

Dimensional diagram

L	B	H	Page
55	55	37	43
55	55	59	43
80	75	55	44
80	75	75	44
110	75	55	45
110	75	75	45
122	120	90	46
160	75	55	46
160	75	75	47
160	160	90	47
190	75	55	48
190	75	75	48
220	120	90	49
230	75	55	49
230	75	75	50
255	250	120	50
260	160	90	51
360	160	90	51
400	250	120	52
400	405	120	52

Grey polyester cover

Type	Cat. no.
CP 55/37	4432.1
CP 55/59	4433.1
CP 80/55	4020.1
CP 80/75	4439.1
CP 110/55	4021.1
CP 110/75	4434.1
CP 122/90	4024.1
CP 160/55	4022.1
CP 160/75	4435.1
CP 160/90	4025.1
CP 190/55	4023.1
CP 190/75	4436.1
CP 220/90	4026.1
CP 230/55	4437.1
CP 230/75	4198.1
CP 255/120	4029.1
CP 260/90	4027.1
CP 360/90	4028.1
CP 400/120	4030.1
CP 400/120-2	4031.1

Polyester housing CP

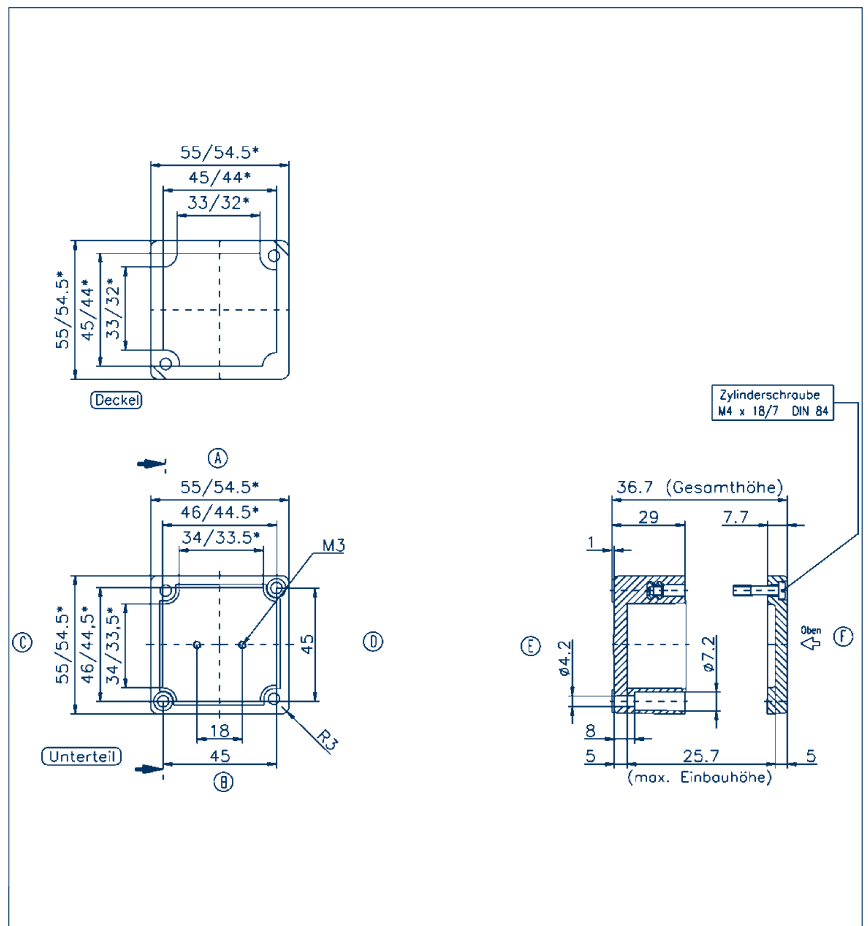
CP 55/37		
Type	Cat. no.	Wt.
CP 55/37	4432.1	100 g

Threaded drill hole options

M	A/B	C/D	PG	A/B	C/D
12	2	2	7	2	2
16	1	1	9	1	1
20	-	-	11	-	-
25	-	-	13.5	-	-
32	-	-	16	-	-
40	-	-	21	-	-
50	-	-	29	-	-
63	-	-	36	-	-
			42	-	-
			48	-	-

Accessories		Qty.
DIN rail section TS15	TS 15 / 42 mm long	
Cat. no.	4567.0	1
DIN rail section TS35		
Cat. no.		
Mounting screw BS	BS M 3x5	
Cat. no.	4556.0	100
Mounting plate MP		
Cat. no.		
Wall brackets WL		
Cat. no.		
External joints (pair) AG		
Cat. no.		

Dimensional diagram



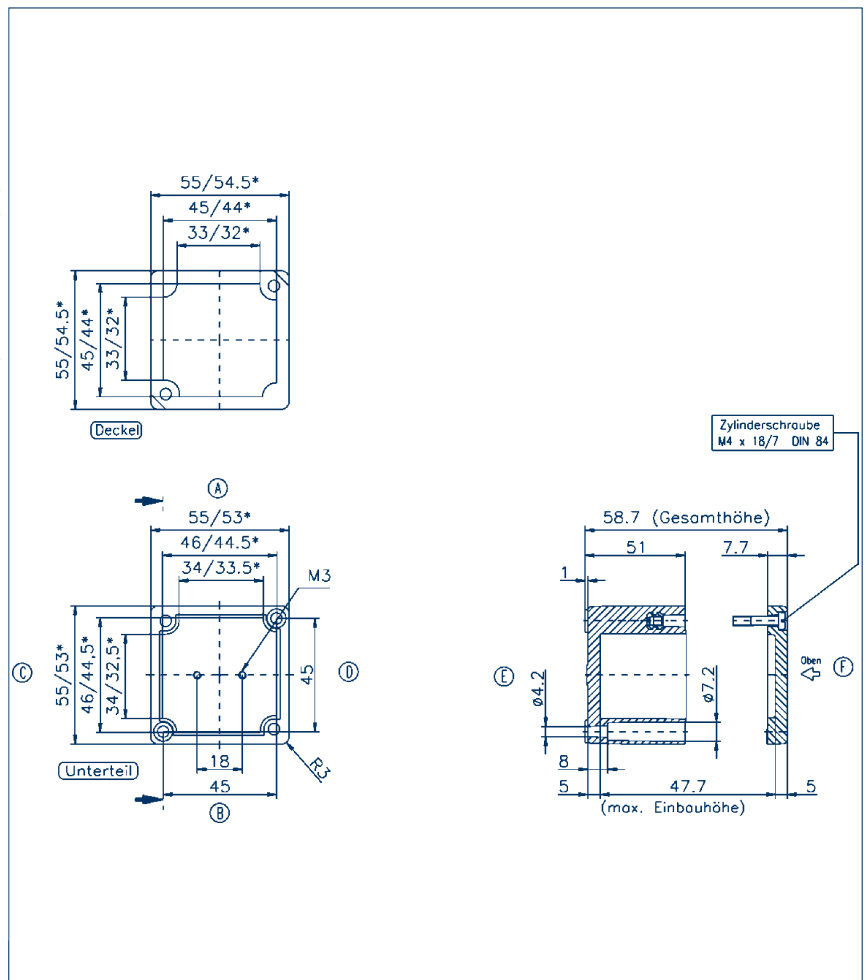
CP 55/59		
Type	Cat. no.	Wt.
CP 55/59	4433.1	130 g

Threaded drill hole options

M	A/B	C/D	PG	A/B	C/D
12	5	5	7	5	5
16	2	2	9	3	3
20	1	1	11	2	2
25	1	1	13.5	1	1
32	1	1	16	1	1
40	-	-	21	1	1
50	-	-	29	-	-
63	-	-	36	-	-
			42	-	-
			48	-	-

Accessories		Qty.
DIN rail section TS15	TS 15 / 42 mm long	
Cat. no.	4567.0	1
DIN rail section TS35		
Cat. no.		
Mounting screw BS	BS M 3x5	
Cat. no.	4556.0	100
Mounting plate MP		
Cat. no.		
Wall brackets WL		
Cat. no.		
External joints (pair) AG		
Cat. no.		

Dimensional diagram



Polyester housing CP

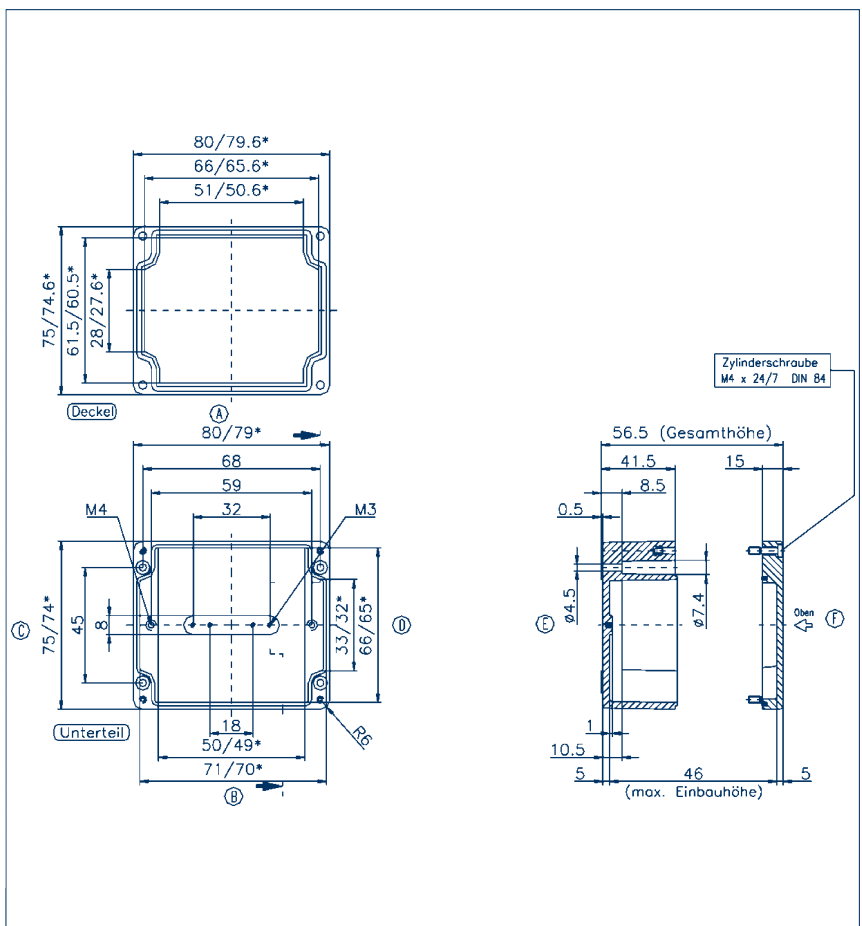
CP 80/55		
Type	Cat. no.	Wt.
CP 80/55	4020.1	262 g

Threaded drill hole options

M	A/B	C/D	PG	A/B	C/D
12	6	3	7	6	3
16	2	1	9	4	1
20	2	1	11	2	1
25	1	-	13.5	2	1
32	-	-	16	2	1
40	-	-	21	1	-
50	-	-	29	-	-
63	-	-	36	-	-
			42	-	-
			48	-	-

Accessories		Qty.
DIN rail section TS15	TS 15 / 68 mm long	
Cat. no.	4507.8	1
DIN rail section TS35		
Cat. no.		
Mounting screw BS	BS M 4x5	
Cat. no.	4557.0	100
Mounting plate MP		
Cat. no.		
Wall brackets WL	WL/CP/CA short	
Cat. no.	4509.3	1
External joints (pair) AG		
Cat. no.		

Dimensional diagram



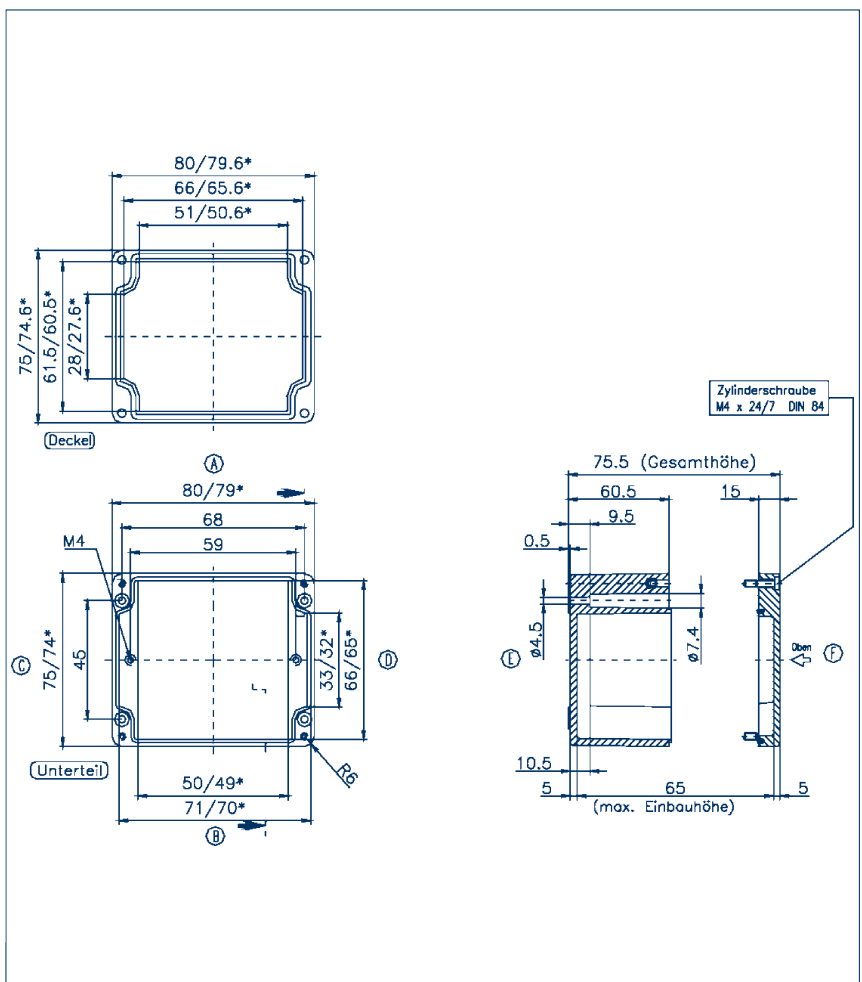
CP 80/75		
Type	Cat. no.	Wt.
CP 80/75	4439.1	300 g

Threaded drill hole options

M	A/B	C/D	PG	A/B	C/D
12	9	5	7	9	5
16	5	2	9	6	3
20	4	2	11	4	2
25	1	1	13.5	4	2
32	1	1	16	3	1
40	-	-	21	1	1
50	-	-	29	1	-
63	-	-	36	-	-
			42	-	-
			48	-	-

Accessories		Qty.
DIN rail section TS15	TS 15 / 68 mm long	
Cat. no.	4507.8	1
DIN rail section TS35		
Cat. no.		
Mounting screw BS	BS M 4x5	
Cat. no.	4557.0	100
Mounting plate MP		
Cat. no.		
Wall brackets WL	WL/CP/CA short	
Cat. no.	4509.3	1
External joints (pair) AG		
Cat. no.		

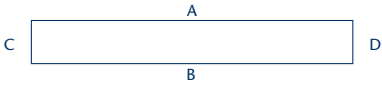
Dimensional diagram



Polyester housing CP

CP 110/55		
Type	Cat. no.	Wt.
CP 110/55	4021.1	324 g

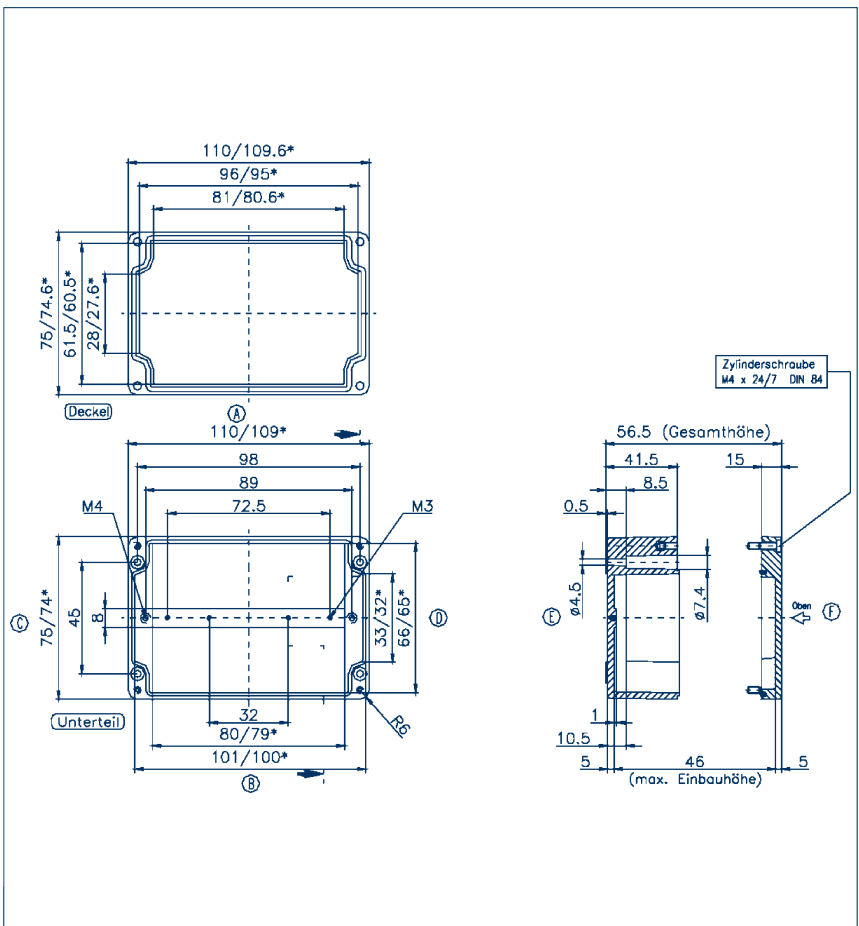
Threaded drill hole options



M	A/B	C/D	PG	A/B	C/D
12	10	3	7	10	3
16	4	1	9	6	1
20	3	1	11	4	1
25	2	-	13.5	3	1
32	-	-	16	3	1
40	-	-	21	2	-
50	-	-	29	-	-
63	-	-	36	-	-
			42	-	-
			48	-	-

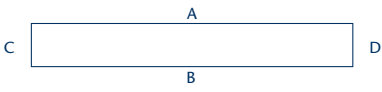
Accessories		Qty.
DIN rail section TS15	TS 15 / 98 mm long	
Cat. no.	4507.9	1
DIN rail section TS35		
Cat. no.		
Mounting screw BS	BS M 4x5	
Cat. no.	4557.0	100
Mounting plate MP	MP/P 110	
Cat. no.	4500.3	1
Wall brackets WL	WL/CP/CA short	
Cat. no.	4509.3	1
External joints (pair) AG	AG/CP/CA (pair)	
Cat. no.	4509.6	1

Dimensional diagram



CP 110/75		
Type	Cat. no.	Wt.
CP 110/75	4434.1	360 g

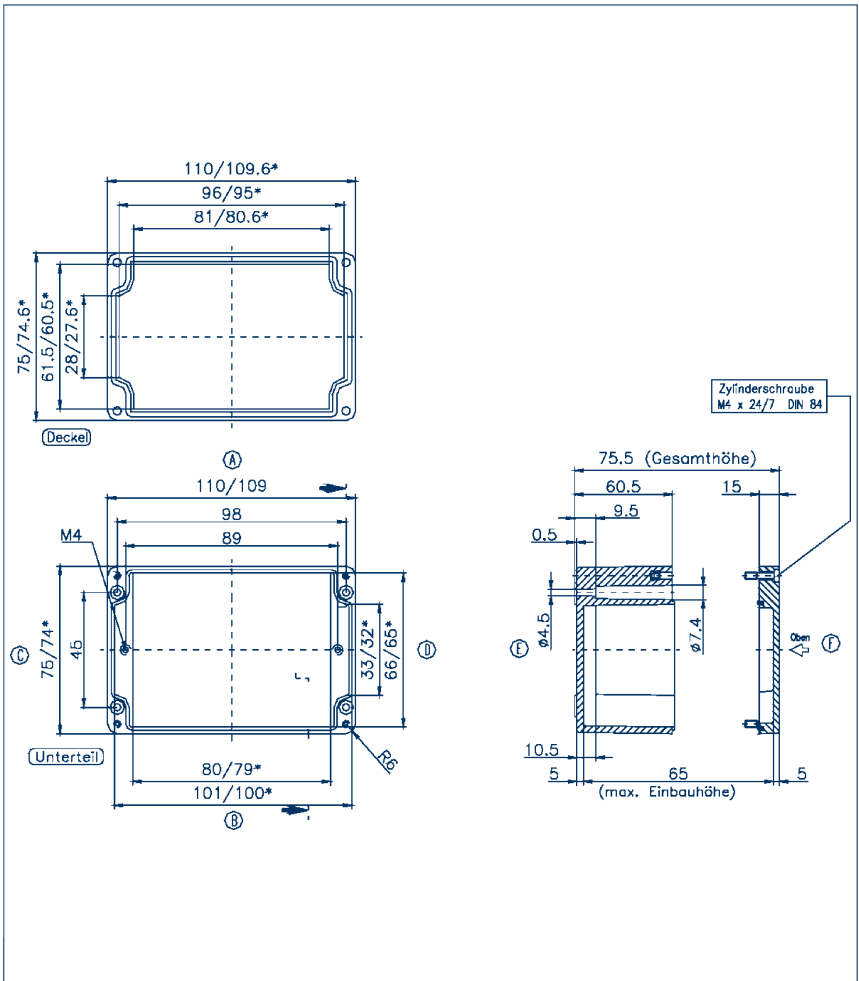
Threaded drill hole options



M	A/B	C/D	PG	A/B	C/D
12	15	5	7	15	5
16	6	2	9	9	3
20	6	1	11	6	2
25	2	1	13.5	6	1
32	2	1	16	5	1
40	-	-	21	2	1
50	-	-	29	2	-
63	-	-	36	-	-
			42	-	-
			48	-	-

Accessories		Qty.
DIN rail section TS15	TS 15 / 98 mm long	
Cat. no.	4507.9	1
DIN rail section TS35		
Cat. no.		
Mounting screw BS	BS M 4x5	
Cat. no.	4557.0	100
Mounting plate MP	MP/P 110	
Cat. no.	4500.3	1
Wall brackets WL	WL/CP/CA short	
Cat. no.	4509.3	1
External joints (pair) AG	AG/CP/CA (pair)	
Cat. no.	4509.6	1

Dimensional diagram



Polyester housing CP

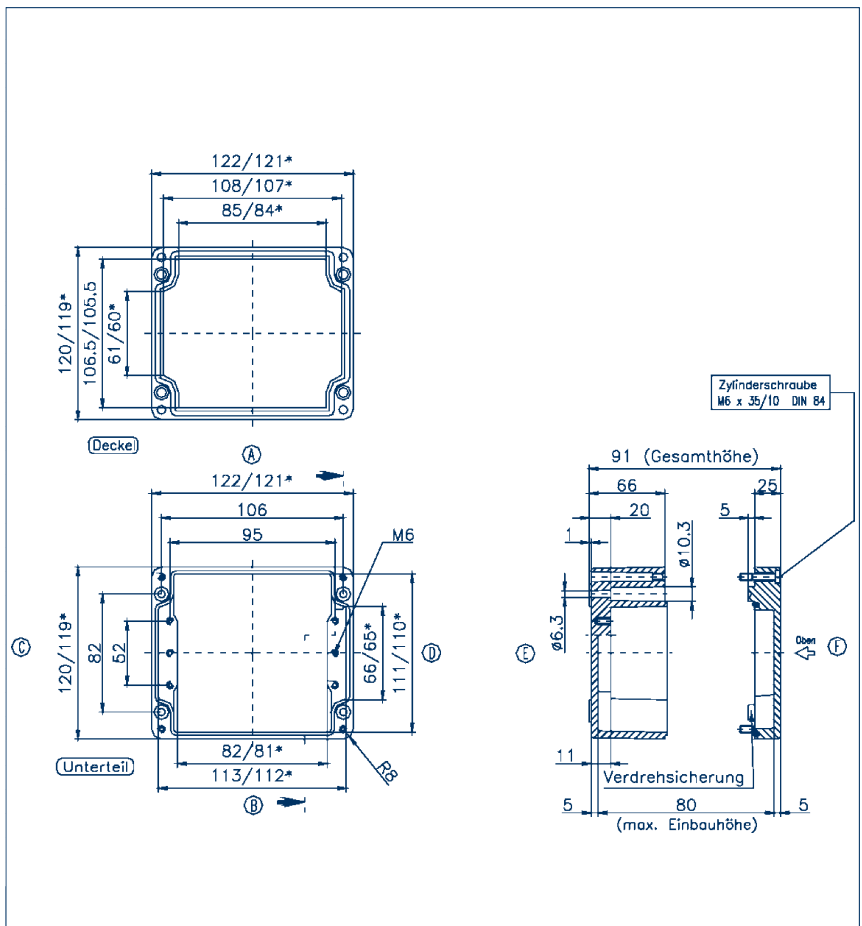
CP 122/90		
Type	Cat. no.	Wt.
CP 122/90	4024.1	740 g

Threaded drill hole options

M	A/B	C/D	PG	A/B	C/D
12	18	12	7	18	12
16	8	5	9	12	6
20	6	4	11	8	5
25	3	2	13.5	6	4
32	2	1	16	6	3
40	1	1	21	3	2
50	-	-	29	2	1
63	-	-	36	1	1
			42	-	-
			48	-	-

Accessories		Qty.
DIN rail section TS15	TS 15/106 MM LONG	
Cat. no.	4559.4	1
DIN rail section TS35		
Cat. no.		
Mounting screw BS	BS M 6x8	
Cat. no.	4558.0	100
Mounting plate MP	MP/P 122	
Cat. no.	4503.0	1
Wall brackets WL	WL/CP/CA long	
Cat. no.	4509.4	1
External joints (pair) AG	AG/CP/CA (pair)	
Cat. no.	4509.6	1

Dimensional diagram



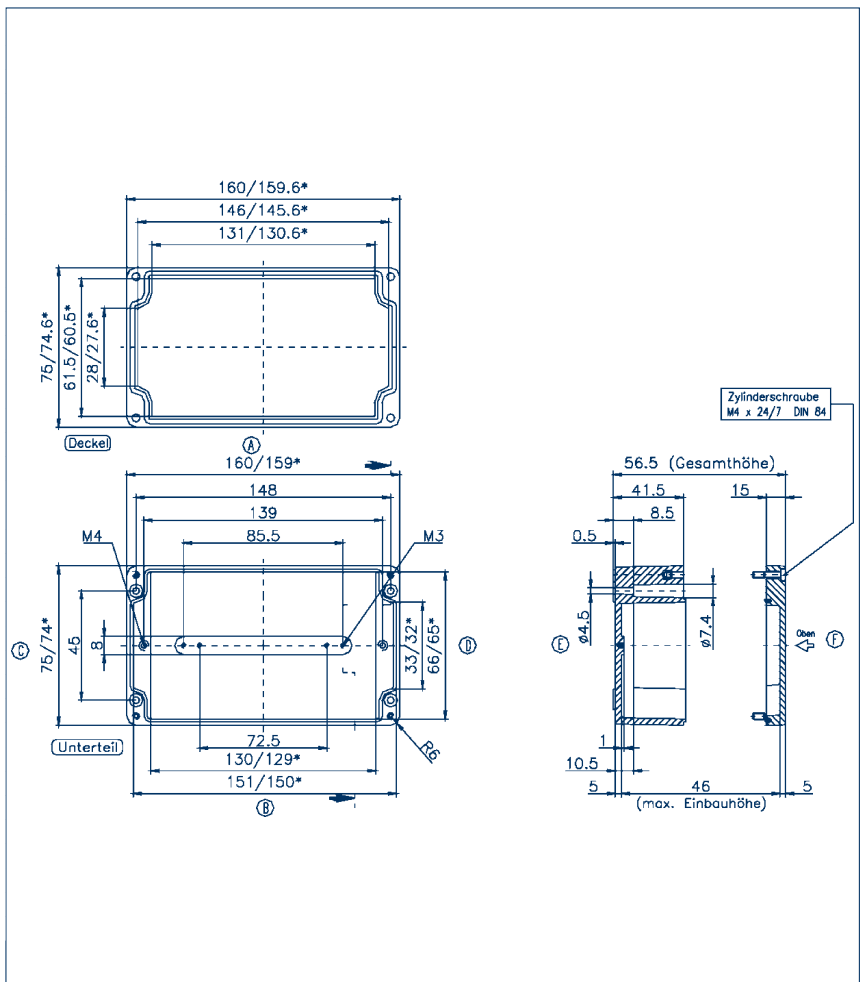
CP 160/55		
Type	Cat. no.	Wt.
CP 160/55	4022.1	428 g

Threaded drill hole options

M	A/B	C/D	PG	A/B	C/D
12	16	3	7	16	2
16	6	1	9	9	1
20	5	1	11	6	1
25	3	-	13.5	5	1
32	-	-	16	4	1
40	-	-	21	3	-
50	-	-	29	-	-
63	-	-	36	-	-
			42	-	-
			48	-	-

Accessories		Qty.
DIN rail section TS15	TS 15 / 148 mm long	
Cat. no.	4508.0	1
DIN rail section TS35	TS 35/144 mm long	
Cat. no.	4507.4	1
Mounting screw BS	BS M 4x5	
Cat. no.	4557.0	100
Mounting plate MP	MP/P 160	
Cat. no.	4501.1	1
Wall brackets WL	WL/CP/CA short	
Cat. no.	4509.3	1
External joints (pair) AG	AG/CP/CA (pair)	
Cat. no.	4509.6	1

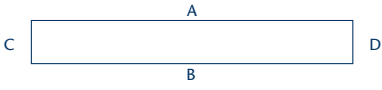
Dimensional diagram



Polyester housing CP

CP 160/75		
Type	Cat. no.	Wt.
CP 160/75	4435.1	460 g

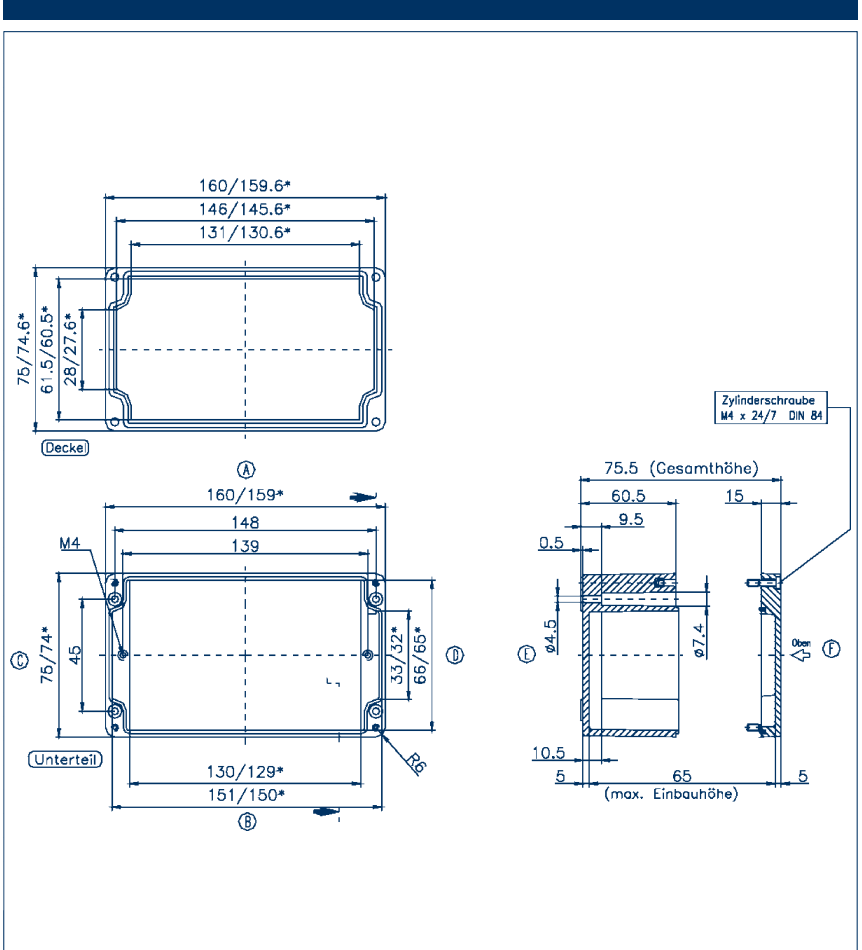
Threaded drill hole options



M	A/B	C/D	PG	A/B	C/D
12	18	5	7	18	5
16	8	2	9	11	3
20	8	2	11	8	2
25	3	1	13.5	8	2
32	2	1	16	5	1
40	-	-	21	3	1
50	-	-	29	2	-
63	-	-	36	-	-
			42	-	-
			48	-	-

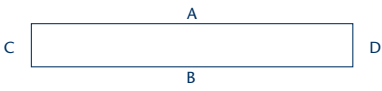
Accessories		Qty.
DIN rail section TS15	TS 15 / 148 mm long	
Cat. no.	4508.0	1
DIN rail section TS35	TS 35/144 mm long	
Cat. no.	4507.4	1
Mounting screw BS	BS M 4x5	
Cat. no.	4557.0	100
Mounting plate MP		
Cat. no.		
Wall brackets WL	WL/CP/CA short	
Cat. no.	4509.3	1
External joints (pair) AG	AG/CP/CA (pair)	
Cat. no.	4509.6	1

Dimensional diagram



CP 160/90		
Type	Cat. no.	Wt.
CP 160/90	4025.1	1263 g

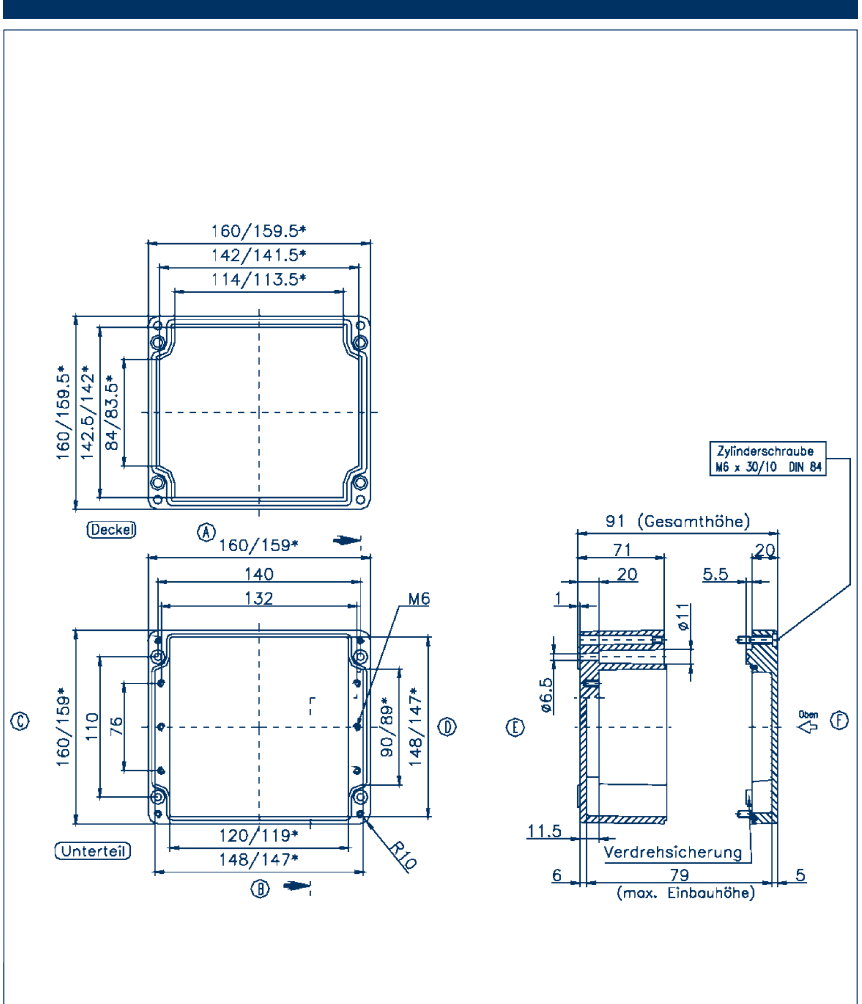
Threaded drill hole options



M	A/B	C/D	PG	A/B	C/D
12	26	18	7	26	18
16	14	8	9	15	12
20	9	6	11	12	8
25	6	3	13.5	9	6
32	3	2	16	8	6
40	2	1	21	6	3
50	2	1	29	2	2
63	-	-	36	2	1
			42	1	-
			48	-	-

Accessories		Qty.
DIN rail section TS15		
Cat. no.		
DIN rail section TS35	TS 35 / 144 mm long	
Cat. no.	4507.4	1
Mounting screw BS	BS M 6x8	
Cat. no.	4558.0	100
Mounting plate MP	MP/P 160	
Cat. no.	4503.2	1
Wall brackets WL	WL/CP/CA long	
Cat. no.	4509.4	1
External joints (pair) AG	AG/CP/CA (pair)	
Cat. no.	4509.6	1

Dimensional diagram



Polyester housing CP

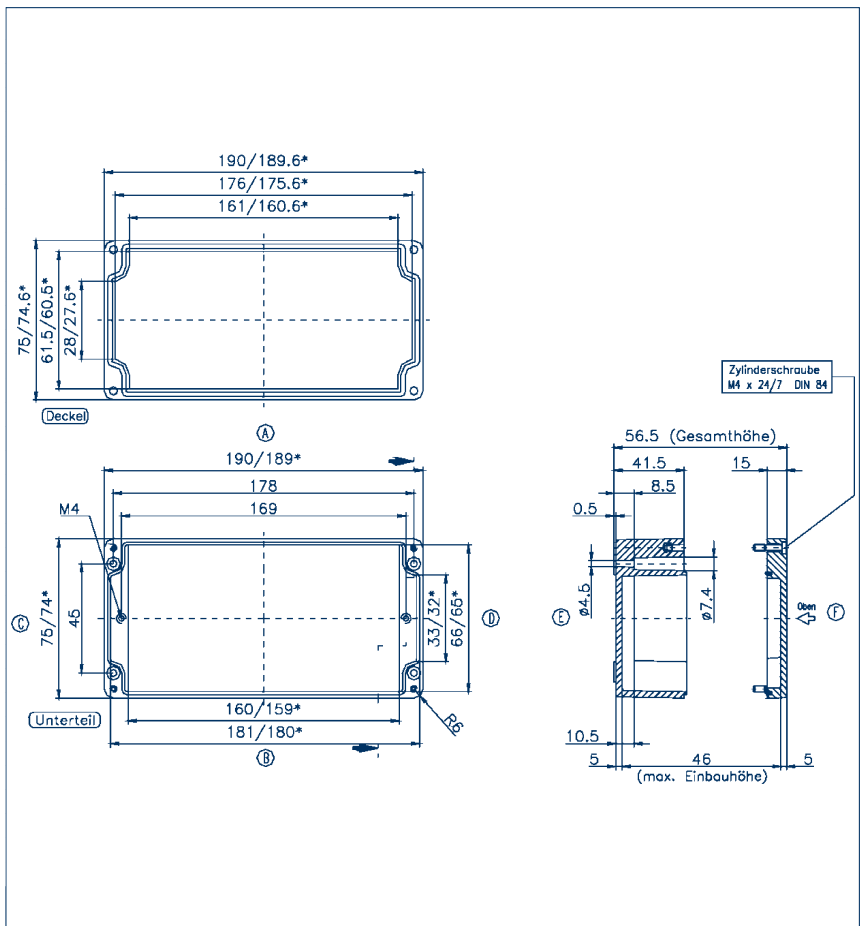
CP 190/55		
Type	Cat. no.	Wt.
CP 190/55	4023.1	462 g

Threaded drill hole options

M	A/B	C/D	PG	A/B	C/D
12	20	4	7	20	4
16	8	1	9	15	2
20	7	1	11	8	1
25	4	1	13.5	7	1
32	-	-	16	6	1
40	-	-	21	4	-
50	-	-	29	-	-
63	-	-	36	-	-
			42	-	-
			48	-	-

Accessories		Qty.
DIN rail section TS15	TS 15 / 178 mm long	1
Cat. no.	4508.1	
DIN rail section TS35		
Cat. no.		
Mounting screw BS	BS M 4x5	100
Cat. no.	4557.0	
Mounting plate MP	MP/P 190	1
Cat. no.	4502.8	
Wall brackets WL	WL/CP/CA short	1
Cat. no.	4509.3	
External joints (pair) AG	AG/CP/CA (pair)	1
Cat. no.	4509.6	

Dimensional diagram



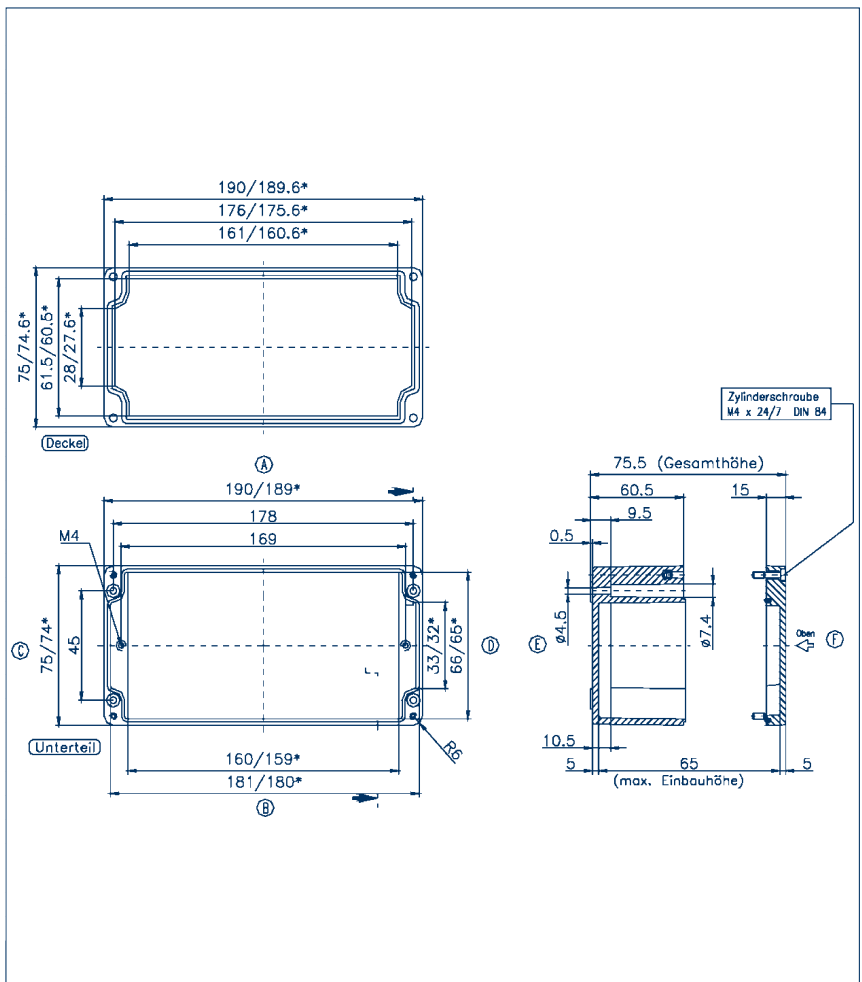
CP 190/75		
Type	Cat. no.	Wt.
CP 190/75	4436.1	530 g

Threaded drill hole options

M	A/B	C/D	PG	A/B	C/D
12	28	6	7	27	5
16	12	2	9	18	3
20	12	2	11	12	2
25	5	1	13.5	12	2
32	3	1	16	10	1
40	-	-	21	5	1
50	-	-	29	3	-
63	-	-	36	-	-
			42	-	-
			48	-	-

Accessories		Qty.
DIN rail section TS15	TS 15 / 178 mm long	1
Cat. no.	4508.1	
DIN rail section TS35		
Cat. no.		
Mounting screw BS	BS M 4x5	100
Cat. no.	4557.0	
Mounting plate MP	MP/P 190	1
Cat. no.	4502.8	
Wall brackets WL	WL/CP/CA short	1
Cat. no.	4509.3	
External joints (pair) AG	AG/CP/CA (pair)	1
Cat. no.	4509.6	

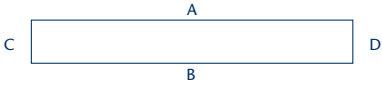
Dimensional diagram



Polyester housing CP

CP 220/90		
Type	Cat. no.	Wt.
CP 220/90	4026.1	1060 g

Threaded drill hole options

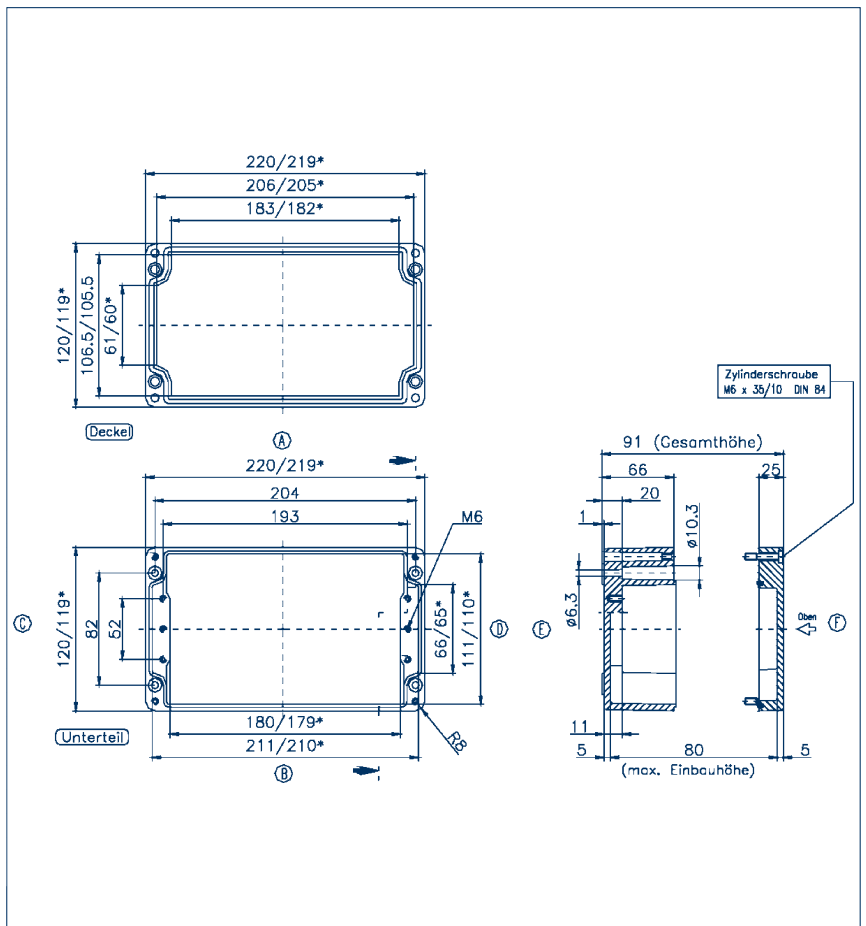


M	A/B	C/D	PG	A/B	C/D
12	38	12	7	36	12
16	17	5	9	24	6
20	14	4	11	15	5
25	7	2	13.5	14	4
32	4	1	16	12	3
40	3	1	21	6	2
50	-	-	29	4	1
63	-	-	36	3	1
			42	-	-
			48	-	-

Accessories

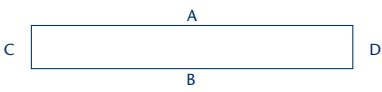
Accessories	Qty.
DIN rail section TS15	
Cat. no.	
DIN rail section TS35	TS 35 / 208 mm long
Cat. no.	4507.3
Mounting screw BS	BS M 6x8
Cat. no.	4558.0
Mounting plate MP	MP/P
Cat. no.	4503.4
Wall brackets WL	WL/CP/CA long
Cat. no.	4509.4
External joints (pair) AG	AG/CP/CA (pair)
Cat. no.	4509.6

Dimensional diagram



CP 230/55		
Type	Cat. no.	Wt.
CP 230/55	4437.1	575 g

Threaded drill hole options

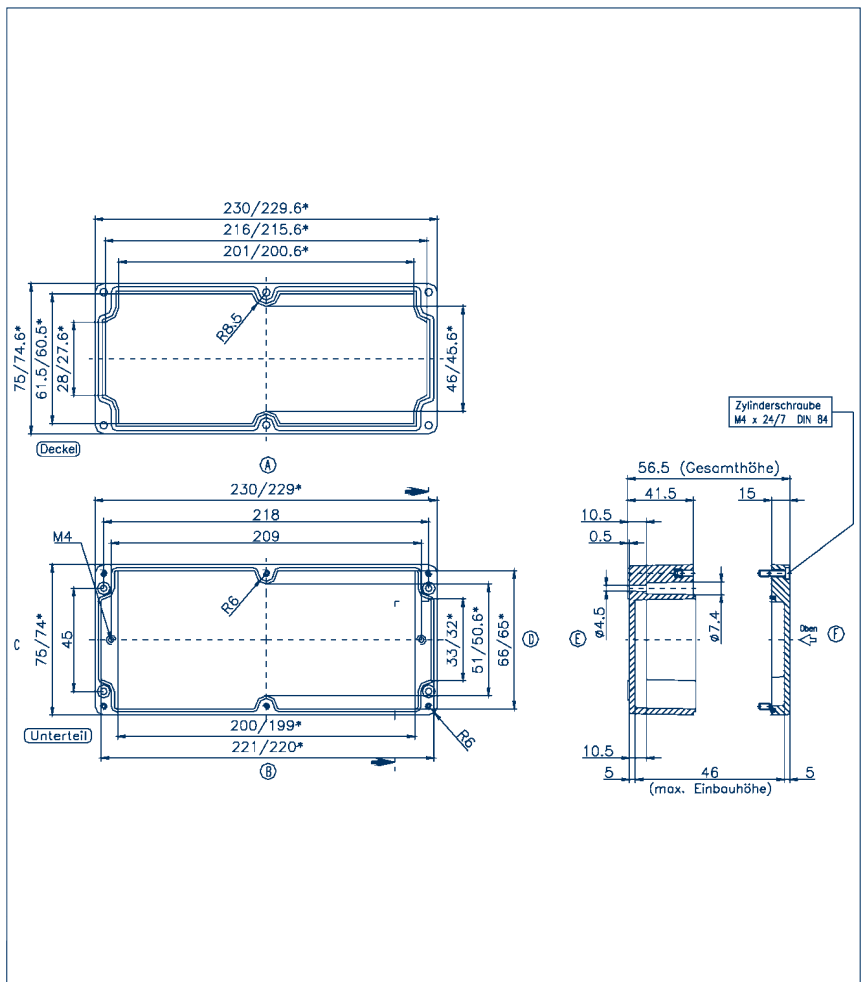


M	A/B	C/D	PG	A/B	C/D
12	22	3	7	20	3
16	10	1	9	14	1
20	8	1	11	8	1
25	4	1	13.5	8	1
32	-	-	16	6	1
40	-	-	21	4	1
50	-	-	29	-	-
63	-	-	36	-	-
			42	-	-
			48	-	-

Accessories

Accessories	Qty.
DIN rail section TS15	
Cat. no.	
DIN rail section TS35	TS 35 / 214 mm long
Cat. no.	4569.0
Mounting screw BS	BS M 4x5
Cat. no.	4557.0
Mounting plate MP	
Cat. no.	
Wall brackets WL	WL/CP/CA short
Cat. no.	4509.3
External joints (pair) AG	AG/CP/CA (pair)
Cat. no.	4509.6

Dimensional diagram



Polyester housing CP

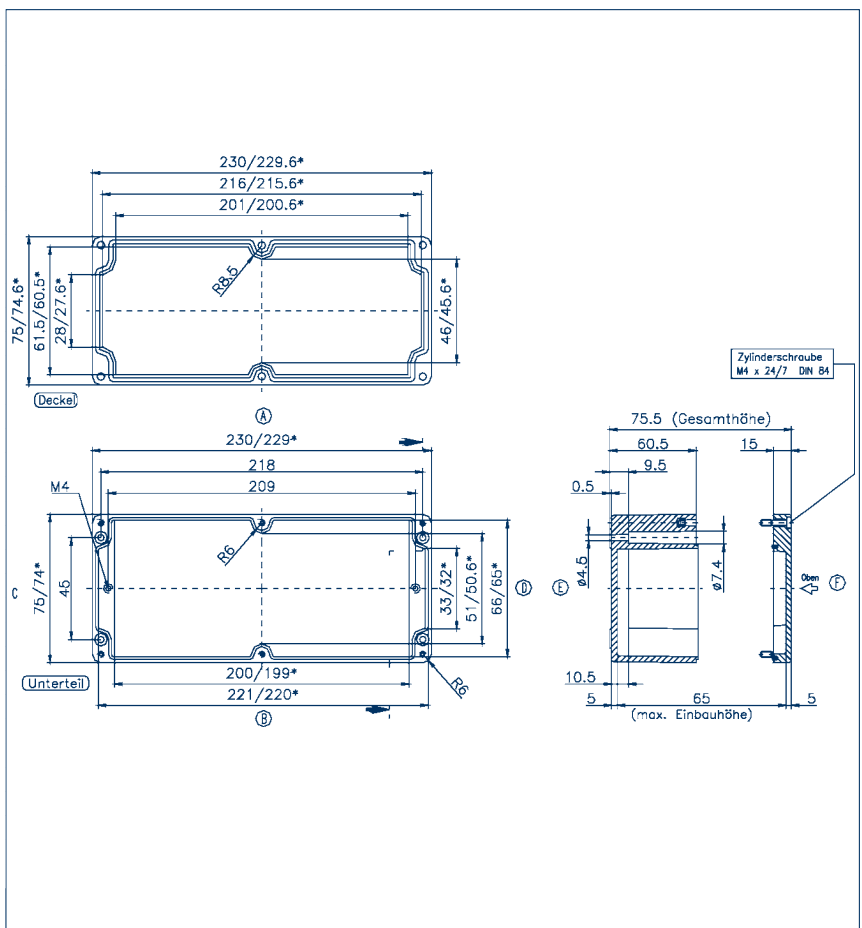
CP 230/75	Type	Cat. no.	Wt.
CP 230/75		4198.1	670 g

Threaded drill hole options

M	A/B	C/D	PG	A/B	C/D
12	30	6	7	30	6
16	16	2	9	18	3
20	12	2	11	16	2
25	6	1	13.5	12	2
32	4	1	16	10	1
40	-	-	21	6	1
50	-	-	29	4	-
63	-	-	36	-	-
			42	-	-
			48	-	-

Accessories		Qty.
DIN rail section TS15		
Cat. no.		
DIN rail section TS35	TS 35 / 214 mm long	1
Cat. no.	4569.0	
Mounting screw BS	BS M 4x5	100
Cat. no.	4557.0	
Mounting plate MP		
Cat. no.		
Wall brackets WL	WL/CP/CA short	1
Cat. no.	4509.3	
External joints (pair) AG	AG/CP/CA (pair)	1
Cat. no.	4509.6	

Dimensional diagram



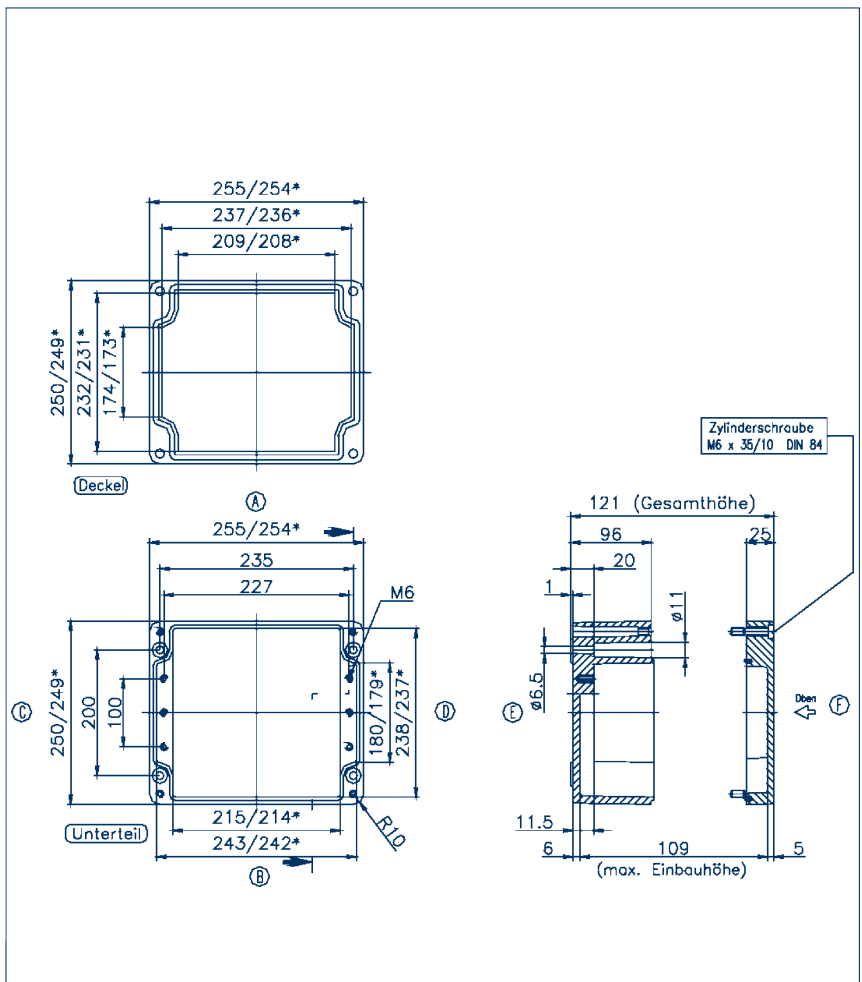
CP 255/120	Type	Cat. no.	Wt.
CP 255/120		4029.1	2691 g

Threaded drill hole options

M	A/B	C/D	PG	A/B	C/D
12	69	51	7	69	51
16	32	24	9	40	32
20	24	18	11	32	24
25	12	10	13.5	24	18
32	8	7	16	21	17
40	4	3	21	12	9
50	3	3	29	8	6
63	3	2	36	4	3
			42	3	2
			48	3	2

Accessories		Qty.
DIN rail section TS15		
Cat. no.		
DIN rail section TS35	TS 35 / 235 mm long	1
Cat. no.	4508.4	
Mounting screw BS	BS M 6x8	100
Cat. no.	4558.0	
Mounting plate MP	MP/P 255	1
Cat. no.	4509.5	
Wall brackets WL	WL/CP/CA long	1
Cat. no.	4509.4	
External joints (pair) AG	AG/CP/CA (pair)	1
Cat. no.	4509.6	

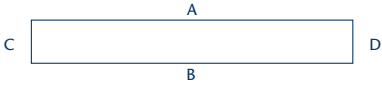
Dimensional diagram



Polyester housing CP

CP 260/90		
Type	Cat. no.	Wt.
CP 260/90	4027.1	1703 g

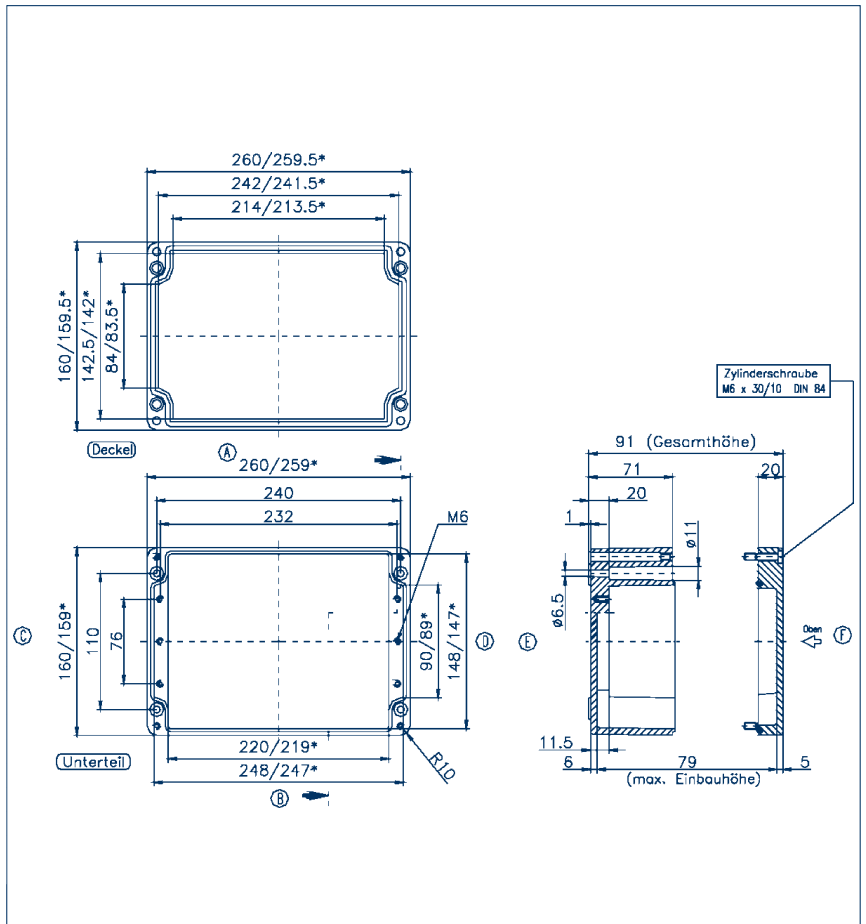
Threaded drill hole options



M	A/B	C/D	PG	A/B	C/D
12	50	16	7	50	15
16	26	8	9	30	11
20	17	6	11	21	6
25	11	3	13.5	17	6
32	5	2	16	14	5
40	3	1	21	11	3
50	3	-	29	5	2
63	-	-	36	3	1
			42	3	-
			48	-	-

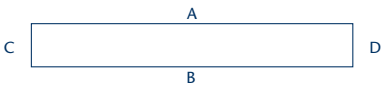
Accessories			Qty.
DIN rail section TS15			
Cat. no.			
DIN rail section TS35	TS 35 / 240 mm long		1
Cat. no.	4508.2		
Mounting screw BS	BS M 6x8		
Cat. no.	4558.0		100
Mounting plate MP	MP/P 260		
Cat. no.	4503.6		1
Wall brackets WL	WL/CP/CA long		
Cat. no.	4509.4		1
External joints (pair) AG	AG/CP/CA (pair)		
Cat. no.	4509.6		1

Dimensional diagram



CP 360/90		
Type	Cat. no.	Wt.
CP 360/90	4028.1	2142 g

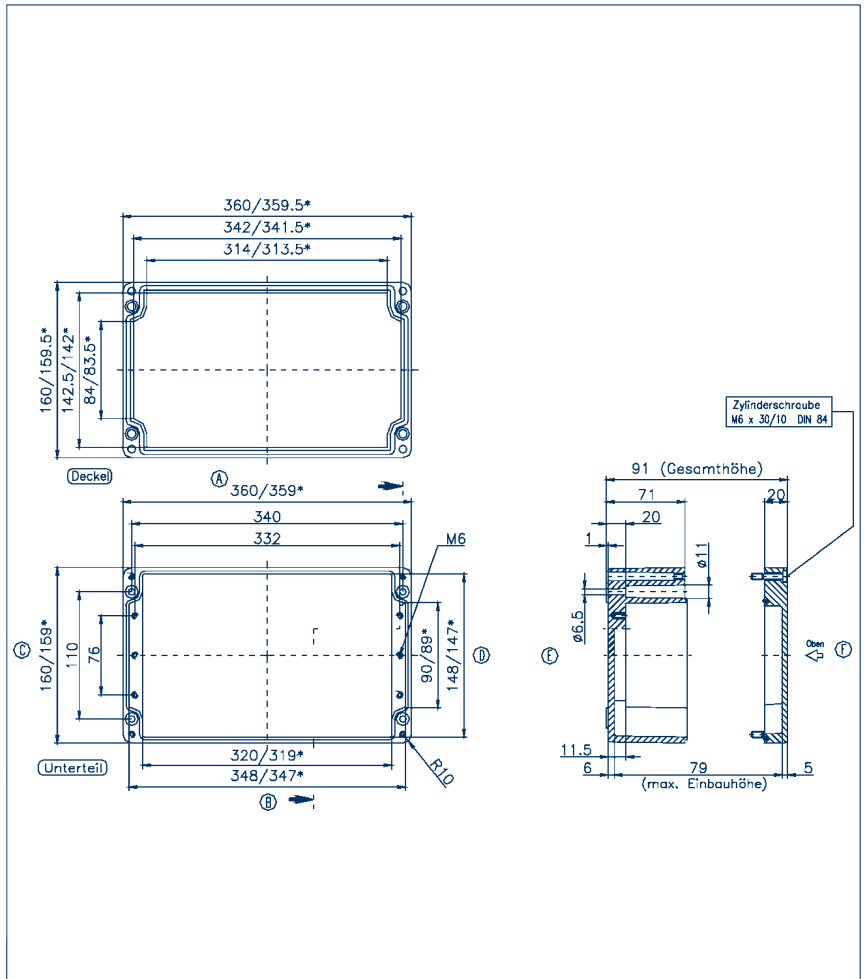
Threaded drill hole options



M	A/B	C/D	PG	A/B	C/D
12	72	18	7	72	18
16	38	8	9	42	12
20	26	6	11	36	8
25	16	3	13.5	26	6
32	7	2	16	20	6
40	5	1	21	16	3
50	4	1	29	7	2
63	-	-	36	5	1
			42	4	-
			48	-	-

Accessories			Qty.
DIN rail section TS15			
Cat. no.			
DIN rail section TS35	TS 35 / 340 mm long		1
Cat. no.	4508.3		
Mounting screw BS	BS M 6x8		
Cat. no.	4558.0		1
Mounting plate MP	MP/P 360		
Cat. no.	4503.8		1
Wall brackets WL	WL/CP/CA long		
Cat. no.	4509.4		1
External joints (pair) AG	AG/CP/CA (pair)		
Cat. no.	4509.6		1

Dimensional diagram



Polyester housing CP

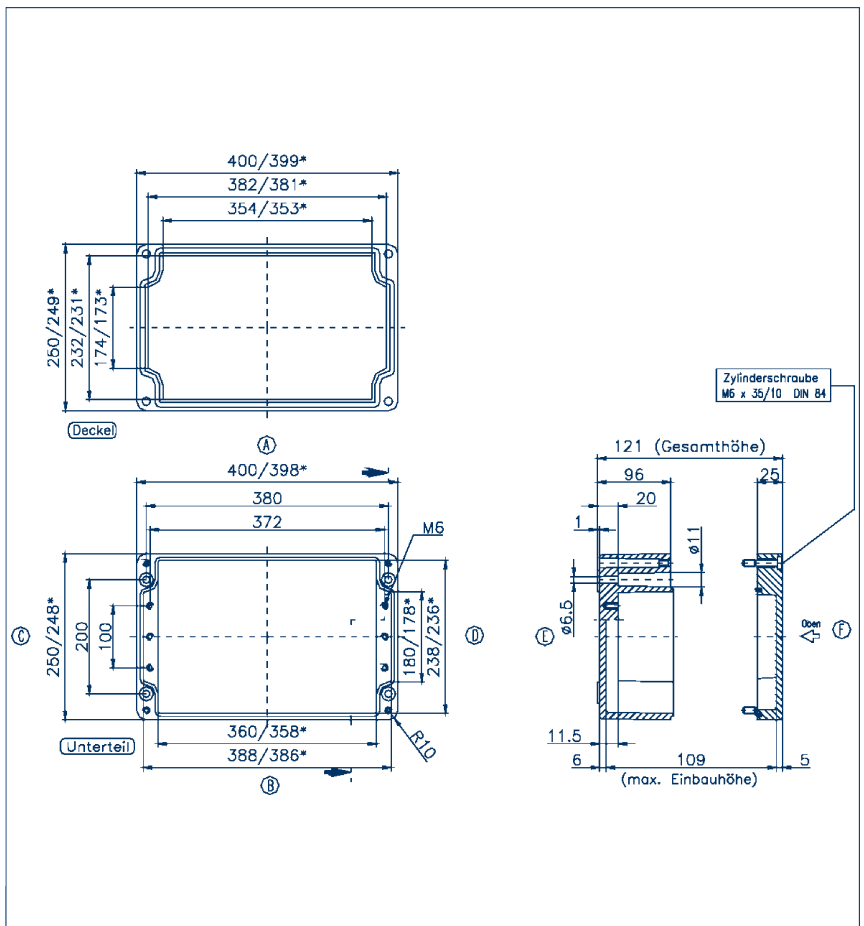
CP 400/120	Cat. no.	Wt.
Type CP 400/120	4030.1	3645 g

Threaded drill hole options

M	A/B	C/D	PG	A/B	C/D
12	117	50	7	114	50
16	56	22	9	68	32
20	42	18	11	56	21
25	21	10	13.5	40	18
32	14	6	16	33	17
40	7	3	21	21	9
50	5	2	29	14	5
63	5	2	36	7	3
			42	5	2
			48	5	2

Accessories	Qty.
DIN rail section TS15	
Cat. no.	
DIN rail section TS35	TS 35 / 384 mm long
Cat. no.	4508.5
Mounting screw BS	BS M 6x8
Cat. no.	4558.0
Mounting plate MP	MP / P 400
Cat. no.	4504.2
Wall brackets WL	WL/CP/CA long
Cat. no.	4509.4
External joints (pair) AG	AG/CP/CA (pair)
Cat. no.	4509.6

Dimensional diagram



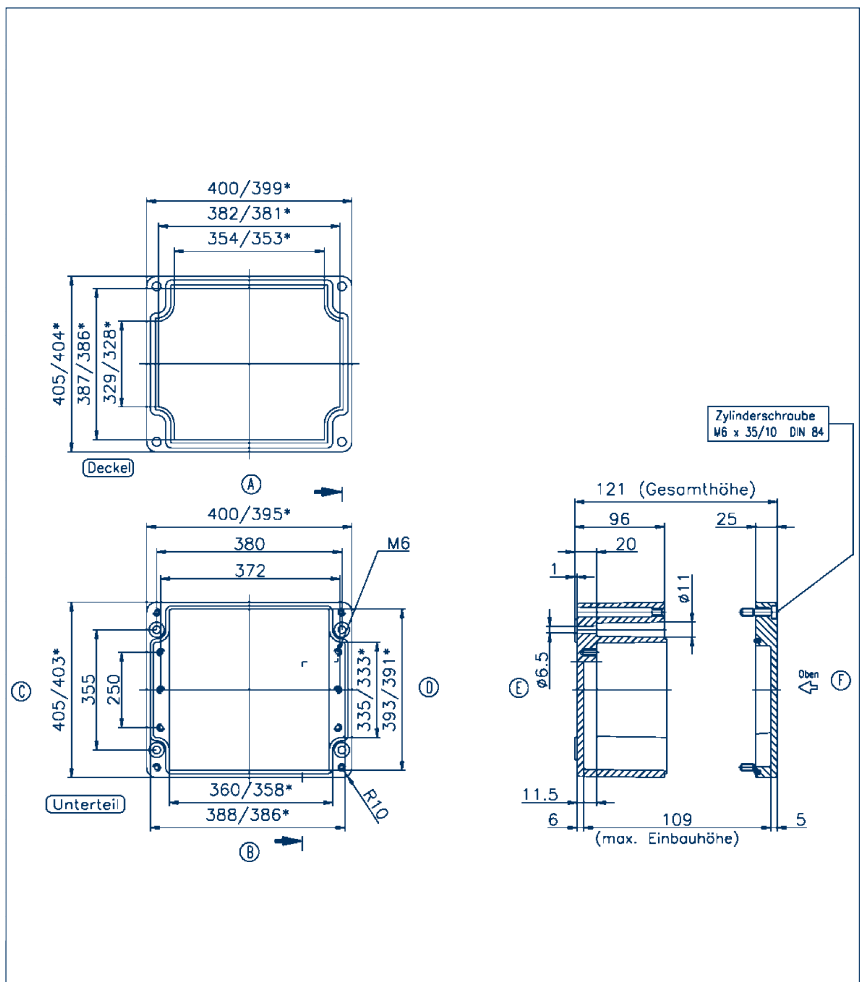
CP 400/120-2	Cat. no.	Wt.
Type CP 400/120-2	4031.1	5040 g

Threaded drill hole options

M	A/B	C/D	PG	A/B	C/D
12	117	95	7	114	95
16	56	46	9	68	60
20	42	36	11	56	44
25	21	18	13.5	40	36
32	14	13	16	33	32
40	7	6	21	21	18
50	5	5	29	14	12
63	5	4	36	7	6
			42	5	5
			48	5	4

Accessories	Qty.
DIN rail section TS15	
Cat. no.	
DIN rail section TS35	TS 35 / 384 mm long
Cat. no.	4508.5
Mounting screw BS	BS M 6x8
Cat. no.	4558.0
Mounting plate MP	MP/P 40074
Cat. no.	4504.4
Wall brackets WL	WL/CP/CA long
Cat. no.	4509.4
External joints (pair) AG	AG/CP/CA (pair)
Cat. no.	4509.6

Dimensional diagram



Polyester housing CP

Accessories

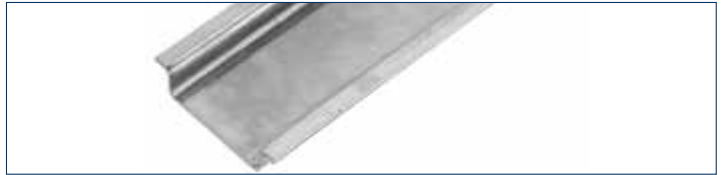
Mounting plate



Material 1: Hard laminated paper
Material 2: Galvanized steel

Type	Cat. no.	Qty.	Material	Housing Type
MP/P 110	4500.3	1	1	CP 110
MP/P 122	4503.0	1	2	CP 122
MP/P 160/5	4501.1	1	1	CP 160/55
MP/P 160/9	4503.2	1	2	CP 160/90
MP/P 190	4502.8	1	2	CP 190
MP/P 220	4503.4	1	2	CP 220
MP/P 260	4503.6	1	2	CP 260
MP/P 360	4503.8	1	2	CP 360
MP/P 400/2	4504.2	1	2	CP 400/120
MP/P 400/4	4504.4	1	2	CP 400/120-2

DIN rail TS35



Material: Galvanized steel

Type	Cat. no.	Qty.	Housing Type
TS 35 / 144 mm long	4507.4	1	CP 160
TS 35 / 208 mm long	4507.3	1	CP 220
TS 35 / 214 mm long	4569.0	1	CP 230
TS 35 / 235 mm long	4508.4	1	CP 255
TS 35 / 240 mm long	4508.2	1	CP 260
TS 35 / 340 mm long	4508.3	1	CP 360
TS 35 / 384 mm long	4508.5	1	CP 400

DIN rail TS15



Material: Galvanized steel

Type	Cat. no.	Qty.	Housing Type
TS 15 / 42 mm long	4567.0	1	CP 55
TS 15 / 68 mm long	4507.8	1	CP 80
TS 15 / 98 mm long	4507.9	1	CP 110
TS 15 / 106 mm long	4559.4	1	CP 122
TS 15 / 148 mm long	4508.0	1	CP 160
TS 15 / 178 mm long	4508.1	1	CP 190

Mounting screw BS



Material: Galvanized steel

Type	Cat. no.	Qty.	Housing Type
BS M 3X5	4556.0	100	CP 55
BS M 4X5	4557.0	100	CP 80, CP 110, CP 160/55+75, CP 190, CP 230
BS M 6X8	4558.0	100	CP 122, CP 160/90, CP 220, CP 255, CP 260, CP 360, CP 400

External joint AG



Material: Aluminium
Colour: grey, similar to RAL 7000

Type	Cat. no.	Qty.	Housing Type
AG/CP/CA (pair)	4509.6	1	CP 122, CP 160, CP 220, CP 255, CP 260, CP 360, CP 400

Swivel range: 150°
Set = 2 pieces

Wall brackets WL



Material: Stainless steel

Type	Cat. no.	Qty.	Housing Type
WL/CP/CA short	4509.3	1	All except CP 55
WL/CP/CA long	4509.4	1	CP 80, CP 110

Wall bracket set made of steel: set = 4 pieces

ABS housing CT | Polycarbonate housing CM

ABS housing / Polycarbonate housing

- 7 basic housings with different cover heights
- Grey or transparent cover
- Material: ABS (CT) or glass-fibre reinforced polycarbonate (CM)
- Smooth side walls
- A comprehensive line of accessories



Technical data for the ABS housing CT

Material
Protection
Toxicity characteristics
Flamm. class acc. to UL 94
Thermal stability
Chemical resistance
Sea water resistance
UV resistance
Colour
Impact resistance

Outer dimensions			Dimensional diagram
L	B	H	Page
52	50	35	55
82	80	55	55
82	80	85	56
120	80	55	56
120	80	85	57
122	120	55	57
122	120	85	58
160	80	55	58
160	80	85	59
200	120	75	59
200	150	75	60
240	120	100	60
240	160	90	61
240	160	120	61

Technical data for the polycarbonate housing CM

Material
Protection
Toxicity characteristics
Flamm. class acc. to UL 94
Thermal stability
Chemical resistance
Sea water resistance
UV resistance
Colour
Impact resistance

Outer dimensions			Dimensional diagram
L	W	H	Page
52	50	35	55
82	80	55	55
82	80	85	56
120	80	55	56
120	80	85	57
122	120	55	57
122	120	85	58
160	80	55	58
160	80	85	59
200	120	75	59
200	150	75	60
240	120	100	60
240	160	90	61
240	160	120	61

Material	ABS
Protection	IP66
Toxicity characteristics	halogen-free/cadmium-free
Flamm. class acc. to UL 94	HB
Thermal stability	-40 °C to +60 °C
Chemical resistance	good
Sea water resistance	good
UV resistance	satisfactory
Colour	grey, similar to RAL 7035
Impact resistance	>7 Joule acc. to EN 50014

ABS	
Type	Cat. no.
CT 52	4080.3
CT 82/5	4081.3
CT 82/8	4082.3
CT 120/5	4083.3
CT 120/8	4084.3
CT 122/5	4087.3
CT 122/8	4088.3
CT 160/5	4085.3
CT 160/8	4086.3
CT 200/12	4089.3
CT 200/15	4090.3
CT 240	4091.3
CT 240/9	4092.3
CT 240/12	4093.3

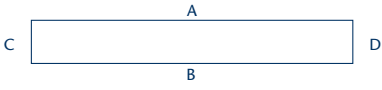
Material	Polycarbonate
Protection	IP66
Toxicity characteristics	halogen-free/cadmium-free
Flamm. class acc. to UL 94	V-2 (5V ₁)
Thermal stability	-40 °C to +100 °C
Chemical resistance	good
Sea water resistance	very good
UV resistance	good
Colour	grey, similar to RAL 7035
Impact resistance	>7 Joule acc. to EN 50014

Polycarbonate		Polycarbonate cover Transparent	
Type	Cat. no.	Type	Cat. no.
CM 52	4040.2	CM 52/DT	4060.2
CM 82/5	4041.2	CM 82/5/DT	4061.2
CM 82/8	4042.2	CM 82/8/DT	4062.2
CM 120/5	4043.2	CM 120/5/DT	4063.2
CM 120/8	4044.2	CM 120/8/DT	4064.2
CM 122/5	4047.2	CM 122/5/DT	4067.2
CM 122/8	4048.2	CM 122/8/DT	4068.2
CM 160/5	4045.2	CM 160/5/DT	4065.2
CM 160/8	4046.2	CM 160/8/DT	4066.2
CM 200/12	4049.2	CM 200/12/DT	4069.2
CM 200/15	4050.2	CM 200/15/DT	4070.2
CM 240	4051.2	CM 240/DT	4071.2
CM 240/9	4052.2	CM 240/9/DT	4072.2
CM 240/12	4053.2	CM 240/12/DT	4073.2

ABS housing CT | Polycarbonate housing CM

CT 52 CM 52		
Type	Cat. no.	Wt.
CT 52	4080.3	41 g
CM 52	4040.2	43 g
CM 52/DT	4060.2	55 g

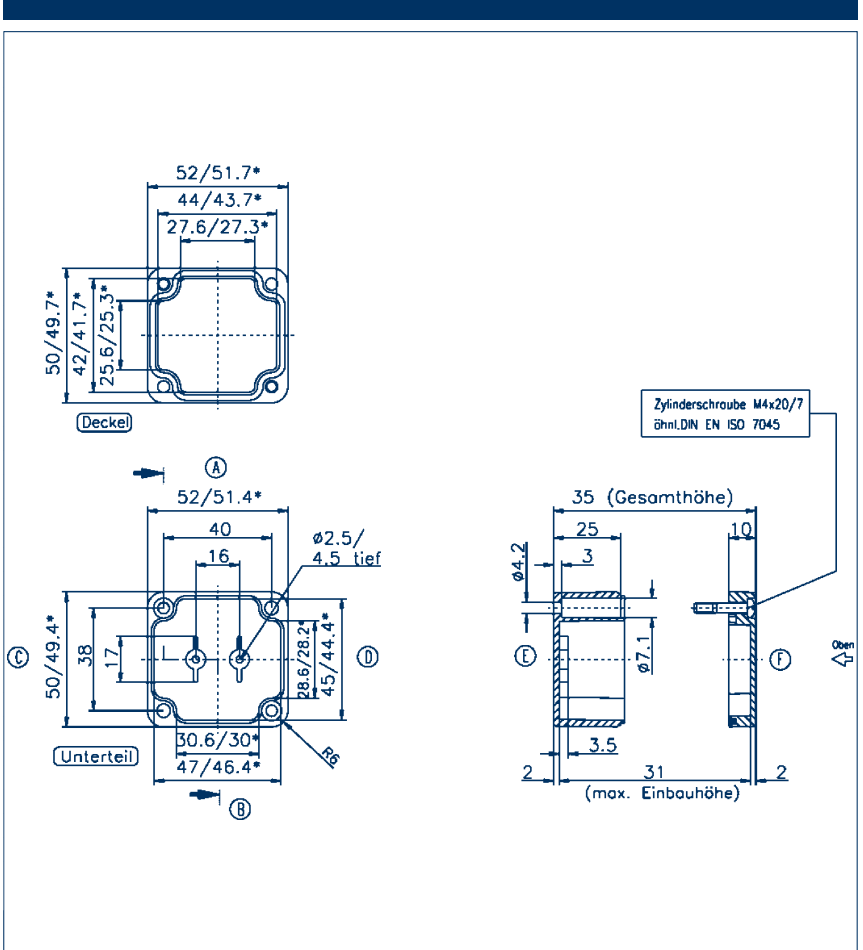
Threaded drill hole options



M	A/B	C/D	PG	A/B	C/D
12	2	1	7	2	1
16	-	-	9	1	1
20	-	-	11	-	-
25	-	-	13.5	-	-
32	-	-	16	-	-
40	-	-	21	-	-
50	-	-	29	-	-
63	-	-	36	-	-
			42	-	-
			48	-	-

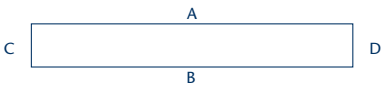
Accessories		Qty.
DIN rail section TS15		
Cat. no.		
DIN rail section TS35		
Cat. no.		
Mounting plate MP	MP/M-T/ 52	
Cat. no.	4504.6	1
Wall brackets WL	WL/CM/CT	
Cat. no.	4510.2	1
External joints (pair) AG	AG/CT/CM (pair)	
Cat. no.	4510.3	1

Dimensional diagram



CT 82/5 CM 82/5		
Type	Cat. no.	Wt.
CT 82/5	4081.3	131 g
CM 82/5	4041.2	145 g
CM 82/5/DT	4061.2	163 g

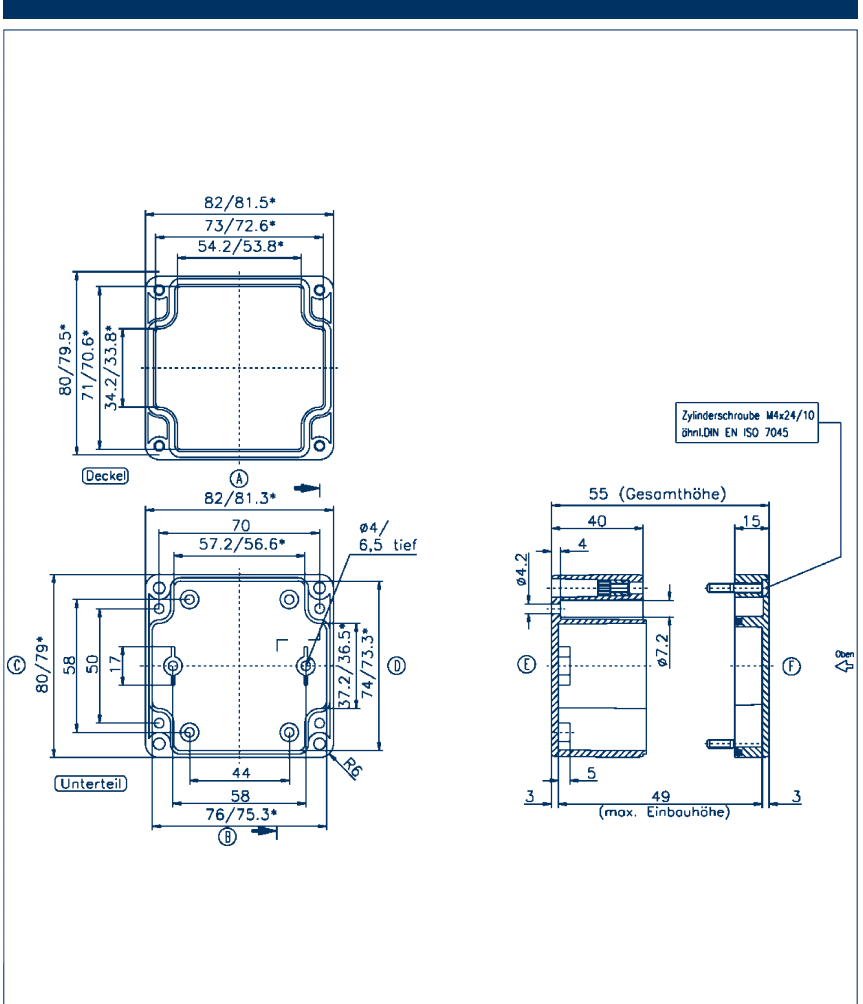
Threaded drill hole options



M	A/B	C/D	PG	A/B	C/D
12	6	4	7	6	4
16	2	2	9	3	2
20	2	1	11	2	1
25	1	1	13.5	2	1
32	-	-	16	2	1
40	-	-	21	1	1
50	-	-	29	-	-
63	-	-	36	-	-
			42	-	-
			48	-	-

Accessories		Qty.
DIN rail section TS15		
Cat. no.	TS 15 / 68 mm long	
	4507.8	1
DIN rail section TS35		
Cat. no.		
Mounting plate MP	MP/M-T/ 82	
Cat. no.	4504.8	1
Wall brackets WL	WL/CM/CT	
Cat. no.	4510.2	1
External joints (pair) AG	AG/CT/CM (pair)	
Cat. no.	4510.3	1

Dimensional diagram

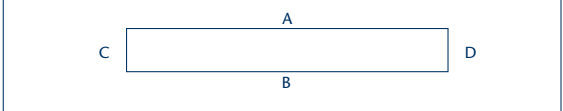


ABS housing CT | Polycarbonate housing CM

CT 82/8 | CM 82/8

Type	Cat. no.	Wt.
CT 82/8	4082.3	164 g
CM 82/8	4042.2	182 g
CM 82/8/DT	4062.2	201 g

Threaded drill hole options

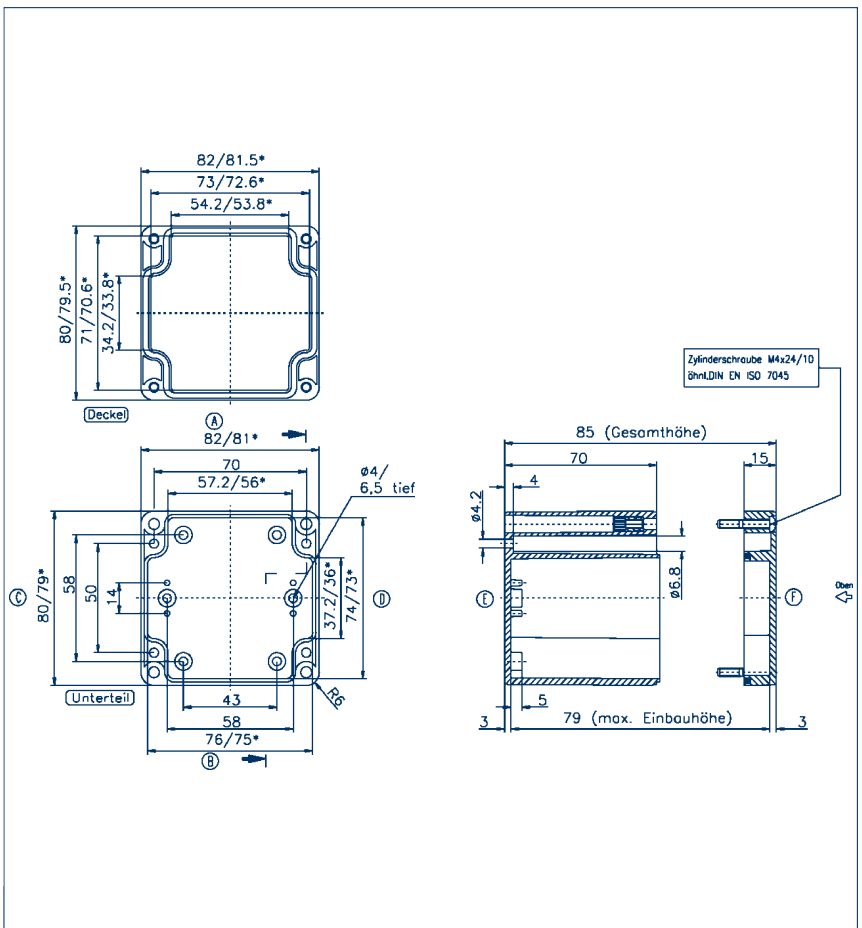


M	A/B	C/D	PG	A/B	C/D
12	10	8	7	10	6
16	5	2	9	6	3
20	4	2	11	5	2
25	2	1	13.5	4	2
32	1	1	16	4	2
40	1	-	21	1	1
50	-	-	29	1	-
63	-	-	36	1	-
			42	-	-
			48	-	-

Accessories

		Qty.
DIN rail section TS15	TS 15 / 68 mm long	1
Cat. no.	4507.8	
DIN rail section TS35		
Cat. no.		
Mounting plate MP	MP/M-T/ 82	1
Cat. no.	4504.8	
Wall brackets WL	WL/CM/CT	1
Cat. no.	4510.2	
External joints (pair) AG	AG/CT/CM (pair)	1
Cat. no.	4510.3	

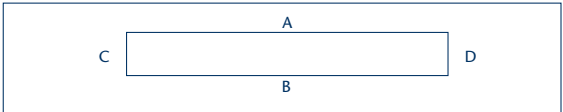
Dimensional diagram



CT 120/5 | CM 120/5

Type	Cat. no.	Wt.
CT 120/5	4083.3	168 g
CM 120/5	4043.2	178 g
CM 120/5/DT	4063.2	210 g

Threaded drill hole options

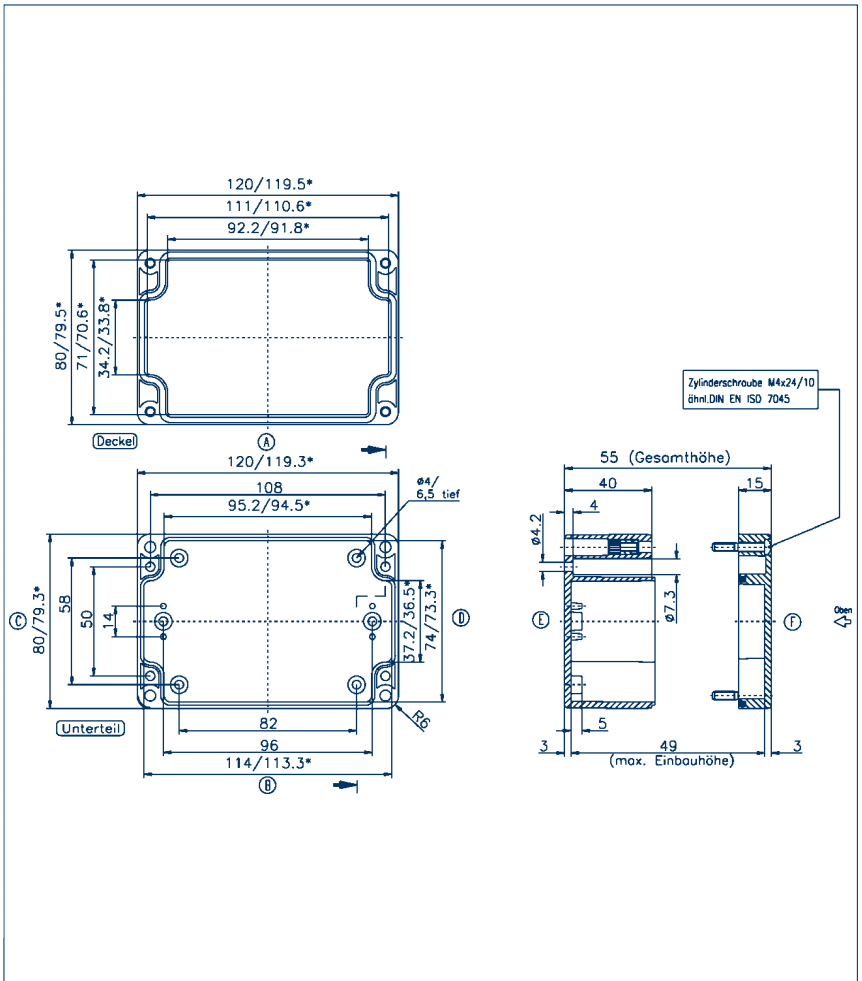


M	A/B	C/D	PG	A/B	C/D
12	10	3	7	10	3
16	4	1	9	6	2
20	3	1	11	4	1
25	2	-	13.5	3	1
32	-	-	16	3	1
40	-	-	21	2	-
50	-	-	29	-	-
63	-	-	36	-	-
			42	-	-
			48	-	-

Accessories

		Qty.
DIN rail section TS15	TS 15 / 110 mm long	1
Cat. no.	4510.8	
DIN rail section TS35		
Cat. no.		
Mounting plate MP	MP/M-T/ 120	1
Cat. no.	4505.0	
Wall brackets WL	WL/CM/CT	1
Cat. no.	4510.2	
External joints (pair) AG	AG/CT/CM (pair)	1
Cat. no.	4510.3	

Dimensional diagram



ABS housing CT | Polycarbonate housing CM

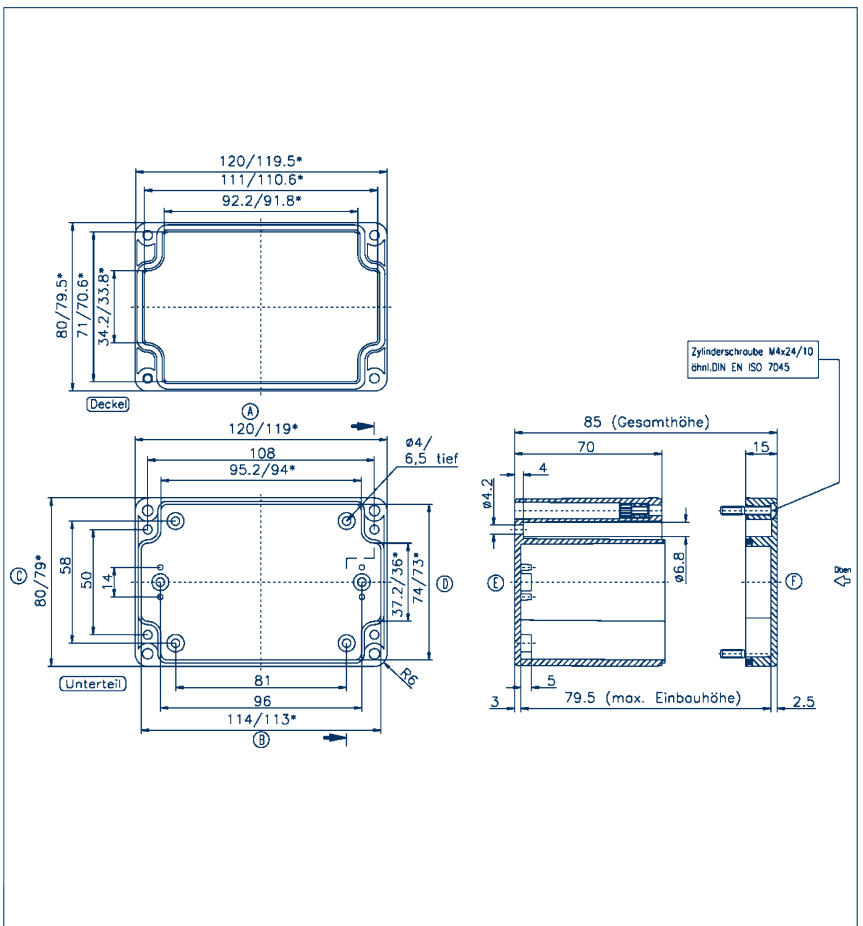
CT 120/8 CM 120/8		
Type	Cat. no.	Wt.
CT 120/8	4084.3	196 g
CM 120/8	4044.2	218 g
CM 120/8/DT	4064.2	223 g

Threaded drill hole options

M	A/B	C/D	PG	A/B	C/D
12	16	6	7	16	6
16	8	2	9	11	3
20	6	2	11	8	2
25	3	1	13.5	6	2
32	2	1	16	6	2
40	1	-	21	3	1
50	-	-	29	2	-
63	-	-	36	1	-
			42	-	-
			48	-	-

Accessories		Qty.
DIN rail section TS15	TS 15 / 110 mm long	
Cat. no.	4510.8	1
DIN rail section TS35		
Cat. no.		
Mounting plate MP	MP/M-T/ 120	
Cat. no.	4505.0	1
Wall brackets WL	WL/CM/CT	
Cat. no.	4510.2	1
External joints (pair) AG	AG/CT/CM (pair)	
Cat. no.	4510.3	1

Dimensional diagram



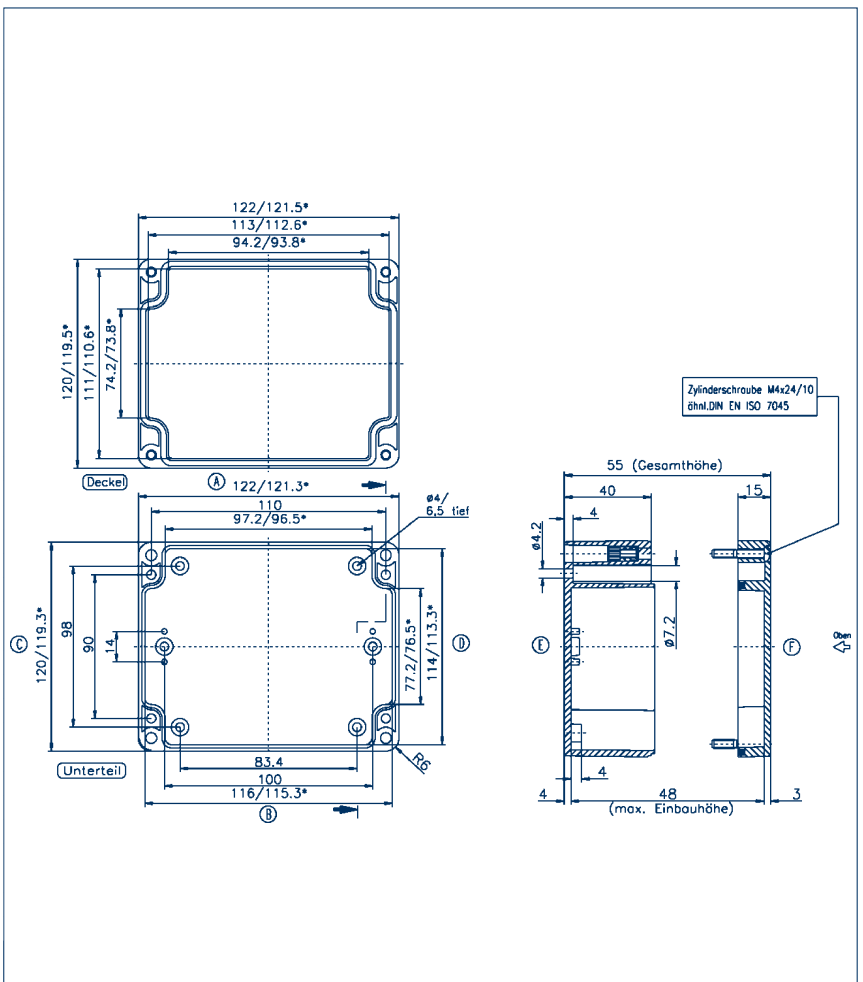
CT 122/5 CM 122/5		
Type	Cat. no.	Wt.
CT 122/5	4087.3	210 g
CM 122/5	4047.2	239 g
CM 122/5/DT	4067.2	268 g

Threaded drill hole options

M	A/B	C/D	PG	A/B	C/D
12	11	8	7	11	8
16	4	3	9	6	4
20	4	3	11	4	3
25	2	2	13.5	4	3
32	-	-	16	3	2
40	-	-	21	2	2
50	-	-	29	-	-
63	-	-	36	-	-
			42	-	-
			48	-	-

Accessories		Qty.
DIN rail section TS15	TS 15 / 110 mm long	
Cat. no.	4510.8	1
DIN rail section TS35	TS 35 / 112 mm long	
Cat. no.	4508.8	1
Mounting plate MP	MP/M-T/ 122	
Cat. no.	4505.4	1
Wall brackets WL	WL/CM/CT	
Cat. no.	4510.2	1
External joints (pair) AG	AG/CT/CM (pair)	
Cat. no.	4510.3	1

Dimensional diagram

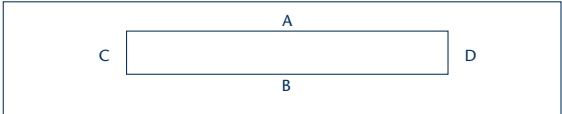


ABS housing CT | Polycarbonate housing CM

CT 122/8 | CM 122/8

Type	Cat. no.	Wt.
CT 122/8	4088.3	274 g
CM 122/8	4048.2	306 g
CM 122/8/DT	4068.2	338 g

Threaded drill hole options

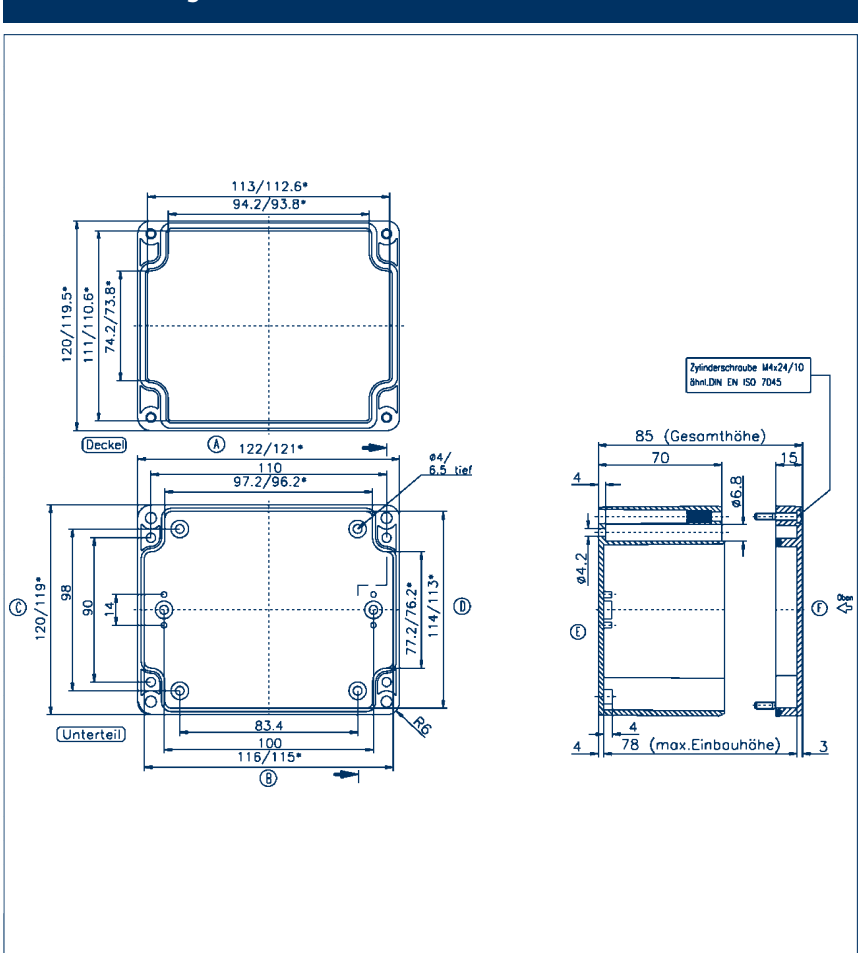


M	A/B	C/D	PG	A/B	C/D
12	20	14	7	20	14
16	9	6	9	12	9
20	6	5	11	9	6
25	4	2	13.5	6	5
32	2	1	16	6	4
40	1	1	21	3	2
50	1	-	29	2	1
63	-	-	36	1	1
			42	-	-
			48	-	-

Accessories

		Qty.
DIN rail section TS15	TS 15 / 110 mm long	1
Cat. no.	4510.8	
DIN rail section TS35	TS 35 / 112 mm long	1
Cat. no.	4508.8	
Mounting plate MP	MP/M-T/ 122	1
Cat. no.	4505.4	
Wall brackets WL	WL/CM/CT	1
Cat. no.	4510.2	
External joints (pair) AG	AG/CT/CM (pair)	1
Cat. no.	4510.3	

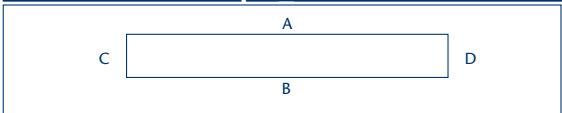
Dimensional diagram



CT 160/5 | CM 160/5

Type	Cat. no.	Wt.
CT 160/5	4085.3	199 g
CM 160/5	4045.2	218 g
CM 160/5/DT	4065.2	266 g

Threaded drill hole options

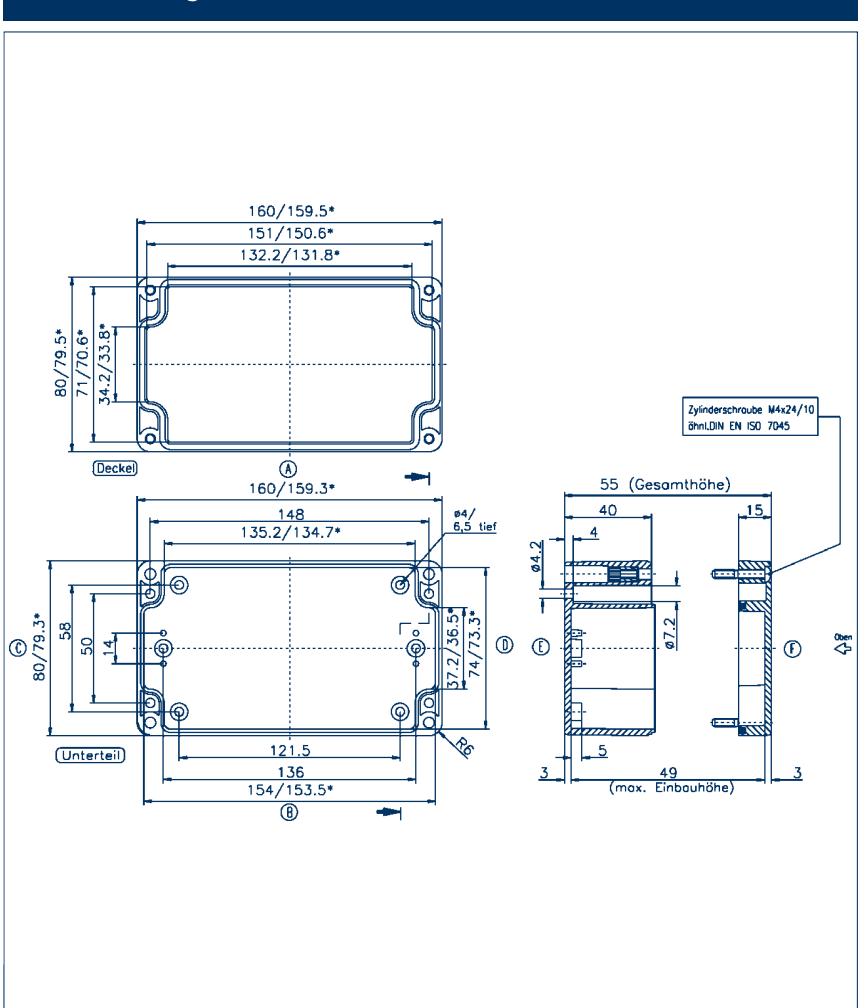


M	A/B	C/D	PG	A/B	C/D
12	16	4	7	14	4
16	6	2	9	8	2
20	5	1	11	6	1
25	3	1	13.5	5	1
32	-	-	16	4	1
40	-	-	21	3	-
50	-	-	29	-	-
63	-	-	36	-	-
			42	-	-
			48	-	-

Accessories

		Qty.
DIN rail section TS15	TS 15 / 144 mm long	1
Cat. no.	4508.7	
DIN rail section TS35		
Cat. no.		
Mounting plate MP	MP/M-T/ 160	1
Cat. no.	4505.2	
Wall brackets WL	WL/CM/CT	1
Cat. no.	4510.2	
External joints (pair) AG	AG/CT/CM (pair)	1
Cat. no.	4510.3	

Dimensional diagram



ABS housing CT | Polycarbonate housing CM

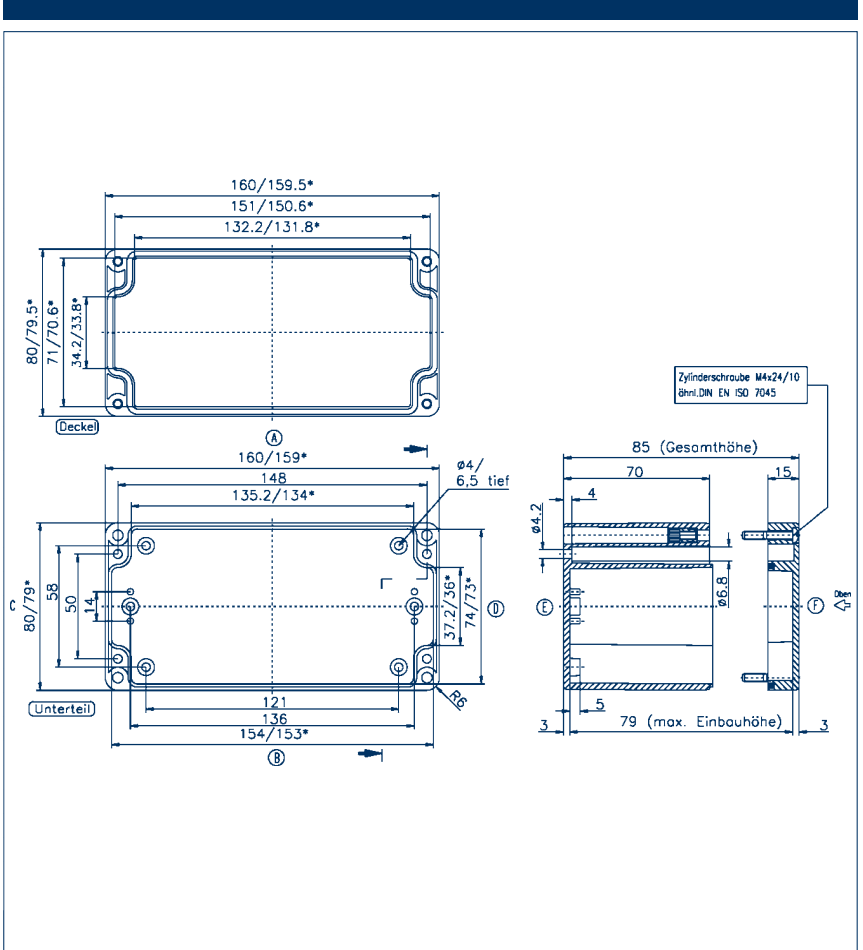
CT 160/8 CM 160/8		
Type	Cat. no.	Wt.
CT 160/8	4086.3	239 g
CM 160/8	4046.2	268 g
CM 160/8/DT	4066.2	303 g

Threaded drill hole options

M	A/B	C/D	PG	A/B	C/D
12	28	6	7	28	6
16	14	3	9	18	4
20	9	2	11	12	2
25	5	1	13.5	9	2
32	3	1	16	8	2
40	2	-	21	5	1
50	2	-	29	3	-
63	-	-	36	2	-
			42	-	-
			48	-	-

Accessories		Qty.
DIN rail section TS15	TS 15 / 144 mm long	
Cat. no.	4508.7	1
DIN rail section TS35		
Cat. no.		
Mounting plate MP	MP/M-T/ 160	
Cat. no.	4505.2	1
Wall brackets WL	WL/CM/CT	
Cat. no.	4510.2	1
External joints (pair) AG	AG/CT/CM (pair)	
Cat. no.	4510.3	1

Dimensional diagram



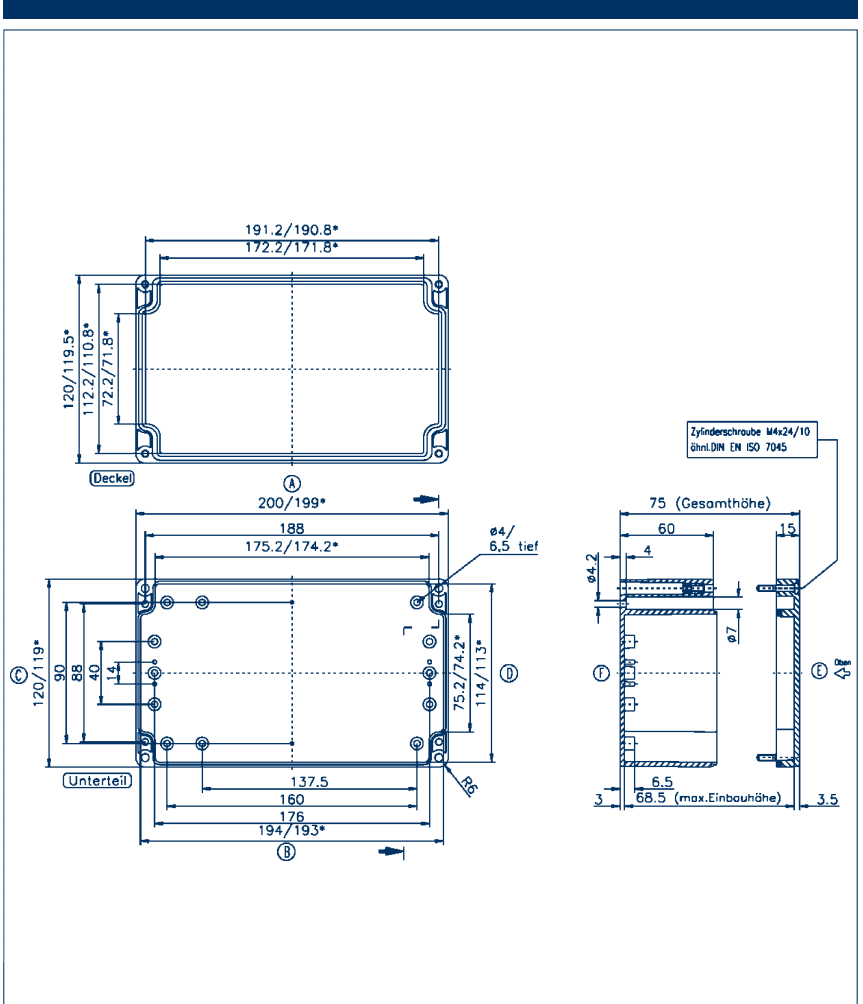
CT 200/12 CM 200/12		
Type	Cat. no.	Wt.
CT 200/12	4089.3	359 g
CM 200/12	4049.2	390 g
CM 200/12/DT	4069.2	465 g

Threaded drill hole options

M	A/B	C/D	PG	A/B	C/D
12	30	15	7	30	15
16	14	6	9	20	9
20	12	6	11	12	6
25	5	3	13.5	12	6
32	3	2	16	10	4
40	-	-	21	5	2
50	-	-	29	3	2
63	-	-	36	-	-
			42	-	-
			48	-	-

Accessories		Qty.
DIN rail section TS15	TS 15 / 188 mm long	
Cat. no.	4508.9	1
DIN rail section TS35	TS 35 / 188 mm long	
Cat. no.	4509.0	1
Mounting plate MP	MP/M-T/200/12	
Cat. no.	4505.6	1
Wall brackets WL	WL/CM/CT	
Cat. no.	4510.2	1
External joints (pair) AG	AG/CT/CM (pair)	
Cat. no.	4510.3	1

Dimensional diagram

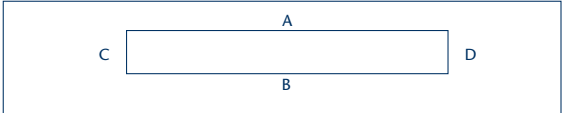


ABS housing CT | Polycarbonate housing CM

CT 200/15 | CM 200/15

Type	Cat. no.	Wt.
CT 200/15	4090.3	424 g
CM 200/15	4050.2	456 g
CM 200/15/DT	4070.2	540 g

Threaded drill hole options

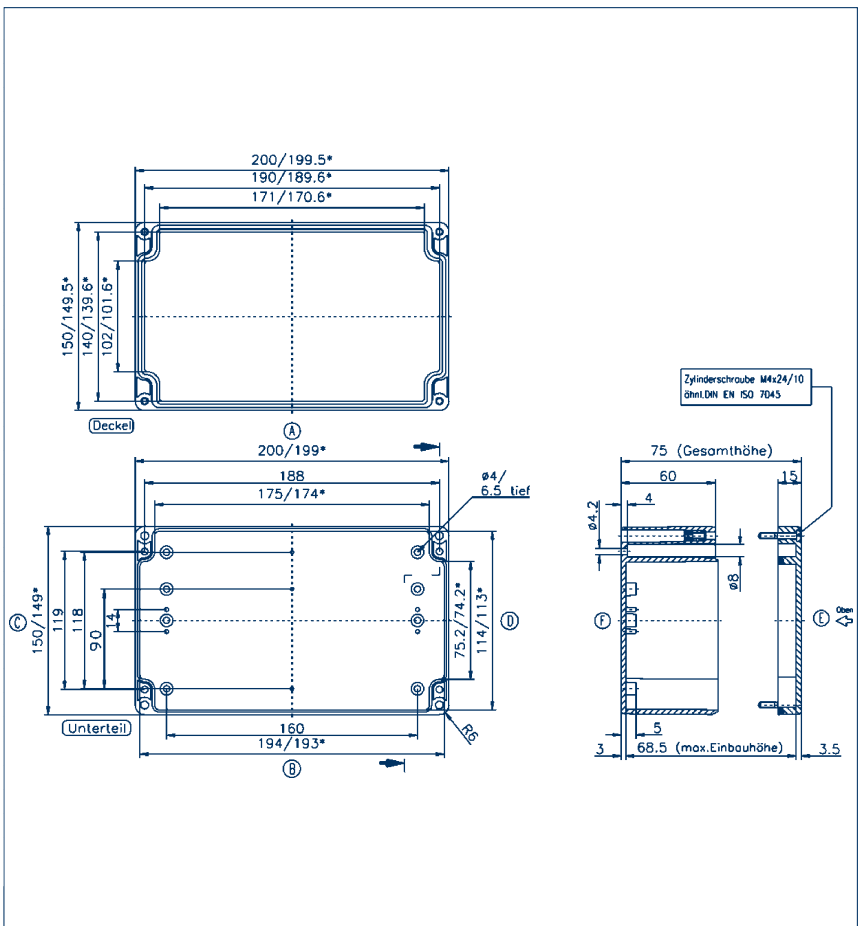


M	A/B	C/D	PG	A/B	C/D
12	30	17	7	30	17
16	14	8	9	20	9
20	12	6	11	14	8
25	5	3	13.5	12	6
32	3	2	16	10	4
40	-	-	21	5	3
50	-	-	29	3	2
63	-	-	36	-	-
			42	-	-
			48	-	-

Accessories

Accessories	Qty.
DIN rail section TS15	
Cat. no.	
DIN rail section TS35	TS 35 / 188 mm long
Cat. no.	4509.0
Mounting plate MP	MP/M-T/200/15
Cat. no.	4505.8
Wall brackets WL	WL/CM/CT
Cat. no.	4510.2
External joints (pair) AG	AG/CT/CM (pair)
Cat. no.	4510.3

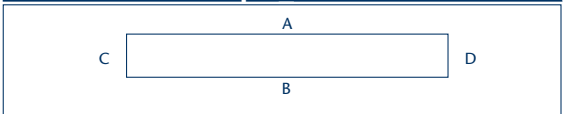
Dimensional diagram



CT 240 | CM 240

Type	Cat. no.	Wt.
CT 240	4091.3	560 g
CM 240	4051.2	534 g
CM 240/DT	4071.2	616 g

Threaded drill hole options

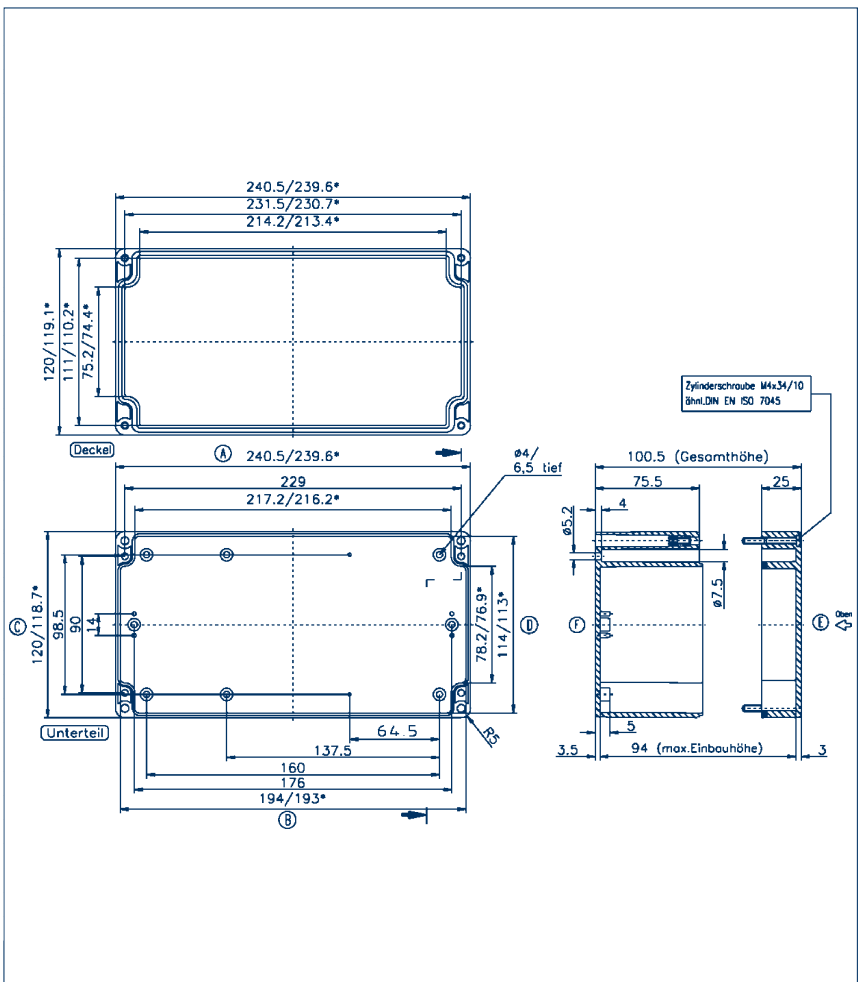


M	A/B	C/D	PG	A/B	C/D
12	48	16	7	48	16
16	24	8	9	30	9
20	17	5	11	21	6
25	10	3	13.5	17	5
32	5	1	16	14	5
40	3	1	21	9	3
50	3	1	29	5	1
63	-	-	36	3	1
			42	-	-
			48	-	-

Accessories

Accessories	Qty.
DIN rail section TS15	
Cat. no.	
DIN rail section TS35	TS 35 / 230 mm long
Cat. no.	4509.1
Mounting plate MP	MP/M-T/ 240
Cat. no.	4506.0
Wall brackets WL	WL/CM/CT
Cat. no.	4510.2
External joints (pair) AG	AG/CT/CM (pair)
Cat. no.	4510.3

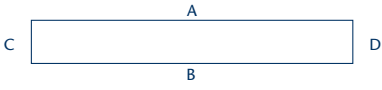
Dimensional diagram



ABS housing CT | Polycarbonate housing CM

CT 240/9 CM 240/9		
Type	Cat. no.	Wt.
CT 240/9	4092.3	547 g
CM 240/9	4052.2	594 g
CM 240/9/DT	4072.2	770 g

Threaded drill hole options

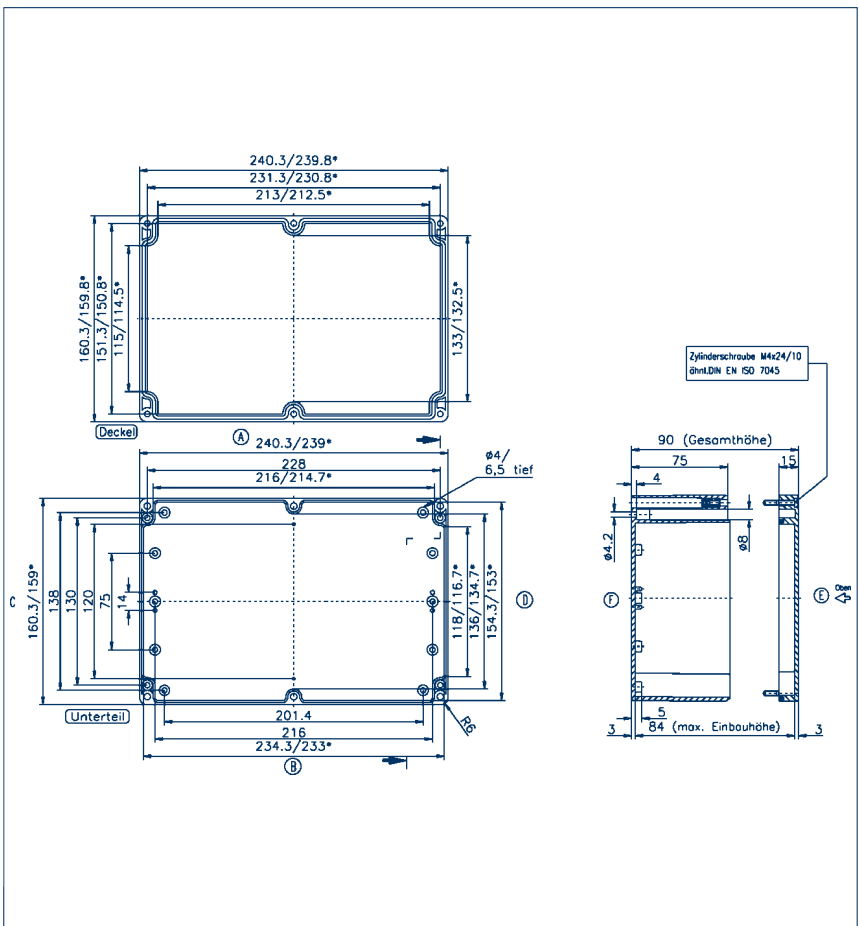


M	A/B	C/D	PG	A/B	C/D
12	40	26	7	40	26
16	18	11	9	24	15
20	12	8	11	16	11
25	8	4	13.5	12	8
32	4	2	16	12	8
40	2	2	21	6	4
50	2	1	29	4	2
63	-	-	36	2	2
			42	-	-
			48	-	-

Accessories

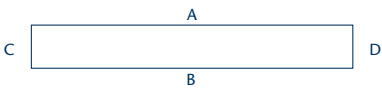
		Qty.
DIN rail section TS15		
Cat. no.		
DIN rail section TS35	TS 35/230 mm long	
Cat. no.	4509.1	1
Mounting plate MP	MP/M-T/ 240	
Cat. no.	4506.0	1
Wall brackets WL	WL/CM/CT	
Cat. no.	4510.2	1
External joints (pair) AG	AG/CT/CM (pair)	
Cat. no.	4510.3	1

Dimensional diagram



CT 240/12 CM 240/12		
Type	Cat. no.	Wt.
CT 240/12	4093.3	666 g
CM 240/12	4053.2	780 g
CM 240/12/DT	4073.2	917 g

Threaded drill hole options

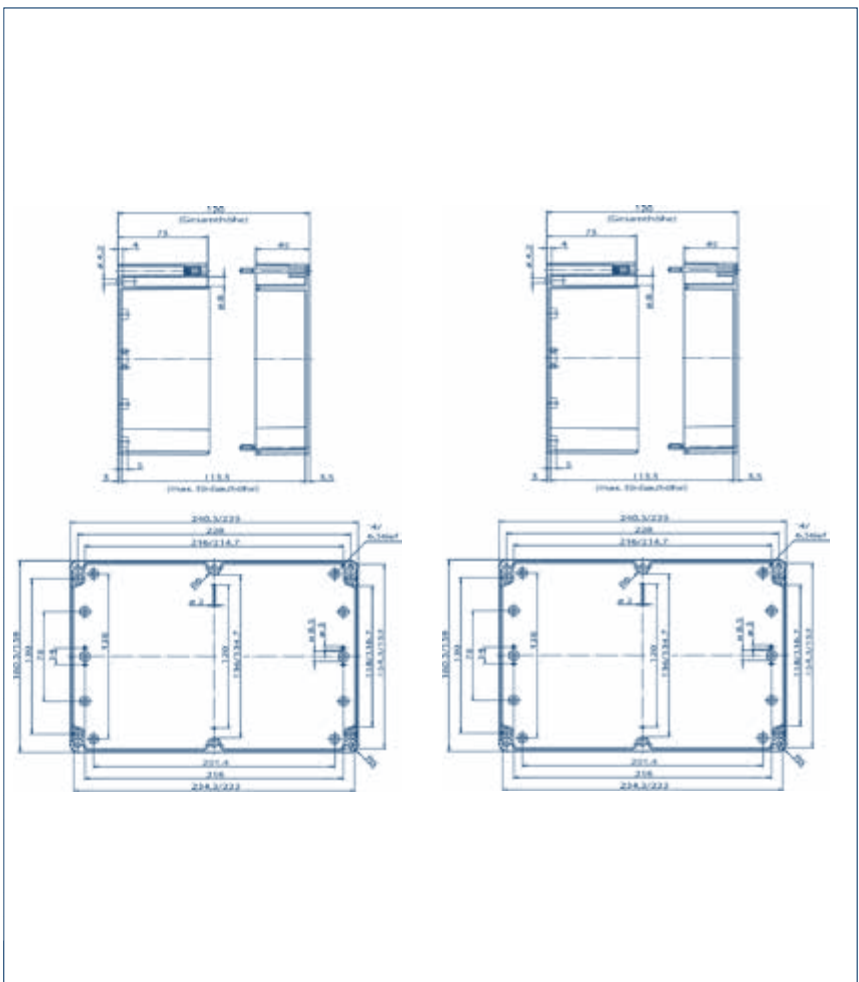


M	A/B	C/D	PG	A/B	C/D
12	40	26	7	40	26
16	22	12	9	24	15
20	16	9	11	18	12
25	8	5	13.5	16	9
32	4	3	16	12	8
40	2	2	21	8	5
50	2	1	29	4	2
63	-	-	36	2	2
			42	-	-
			48	-	-

Accessories

		Qty.
DIN rail section TS15		
Cat. no.		
DIN rail section TS35	TS 35/230 mm long	
Cat. no.	4509.1	1
Mounting plate MP	MP/M-T/ 240	
Cat. no.	4506.0	1
Wall brackets WL	WL/CM/CT	
Cat. no.	4510.2	1
External joints (pair) AG	AG/CT/CM (pair)	
Cat. no.	4510.3	1

Dimensional diagram



ABS housing CT | Polycarbonate housing CM

Accessories

Mounting plate



Material: Hard laminated paper
 Colour: Brown

Type	Cat. no.	Qty.	Housing Type
MP/M-T/52	4504.6	1	CT/CM 52
MP/M-T/82	4504.8	1	CT/CM 82
MP/M-T/120	4505.0	1	CT/CM 120
MP/M-T/160	4505.2	1	CT/CM 160
MP/M-T/122	4505.4	1	CT/CM 122
MP/M-T/200/12	4505.6	1	CT/CM 200/12
MP/M-T/200/15	4505.8	1	CT/CM 200/15
MP/M-T/240	4506.0	1	CT/CM 240

DIN rail TS35



Material: Galvanized steel

Type	Cat. no.	Qty.	Housing Type
TS 35 / 112 mm long	4508.8	1	CT/CM 122
TS 35 / 188 mm long	4509.0	1	CT/CM 200
TS 35 / 230 mm long	4509.1	1	CT/CM 240

DIN rail TS15



Material: Galvanized steel

Type	Cat. no.	Qty.	Housing Type
TS 15 / 68 mm long	4507.8	1	CT/CM82
TS 15 / 110 mm long	4510.8	1	CT/CM 120, CT/CM 122
TS 15 / 144 mm long	4508.7	1	CT/CM 160
TS 15 / 188 mm long	4508.9	1	CT/CM 200/12

External joint AG



Material: Polycarbonate
 Colour: grey, similar to RAL 7035

Type	Cat. no.	Qty.	Housing Type
AG/CT/CM (pair)	4510.3	1	All CT/CM housings

External joint kit for converting the housing cover to a hinged door: including 2 hinges, mounting screws and cover plugs

Wall brackets WL

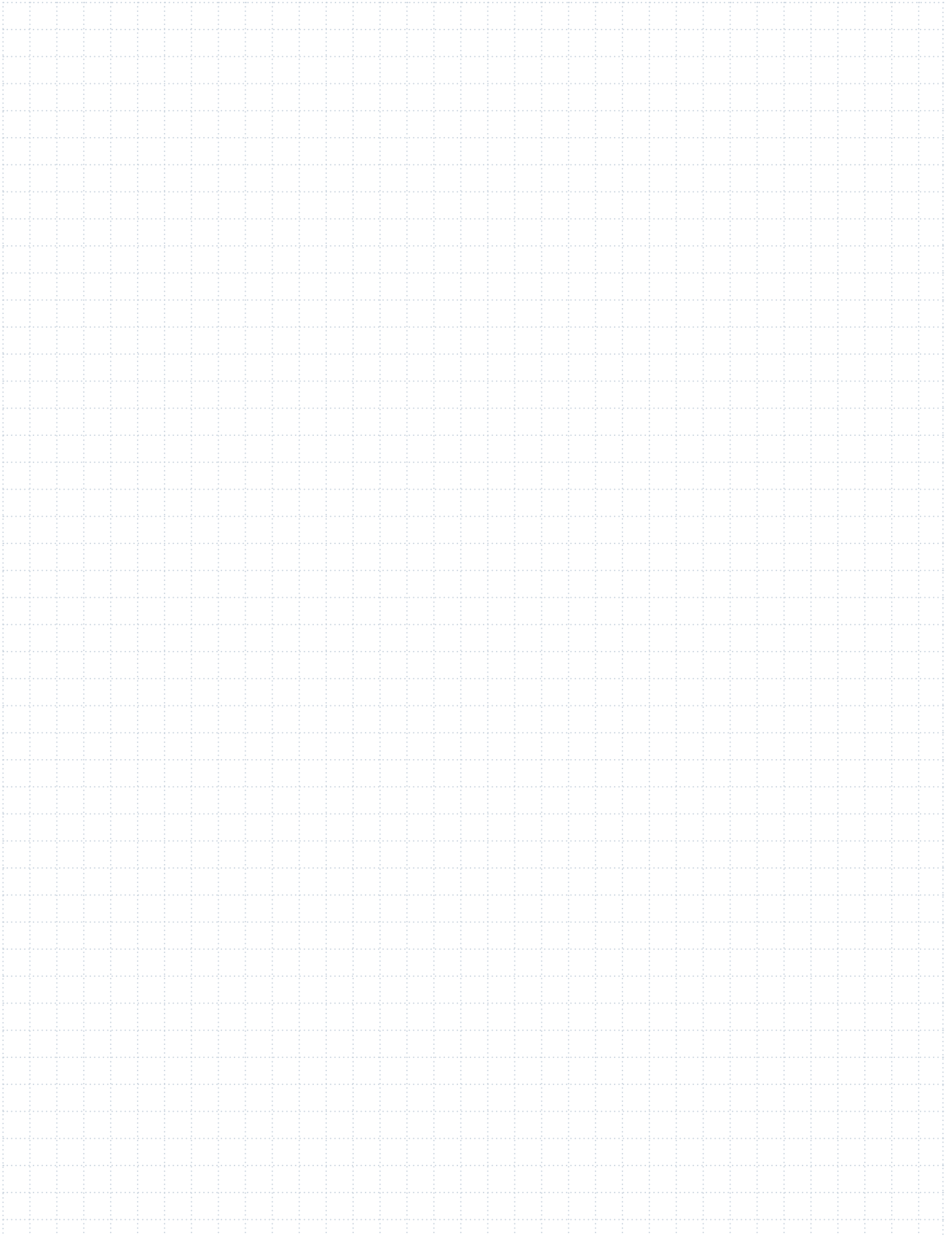


Material: Polycarbonate
 Colour: grey, similar to RAL 7035

Type	Cat. no.	Qty.	Housing Type
WL/CM/CT	4510.2		All CT/CM housings

Wall bracket set made of plastic: set = 4 pieces

Notes



Aluminium housing CA

Aluminium housing CA

- 17 basic housings with different cover heights
- Material: aluminium AL SI 12
- Power-varnish coating protects against corrosion
- Effective protection against electromagnetic interference (EMI) and electrostatic discharge (ESD)
- Smooth side walls
- A comprehensive line of accessories



Technical data

Material
Protection
Toxicity characteristics
Flamm. class acc. to UL 94
Thermal stability
Chemical resistance
Sea water resistance
UV resistance
Colour
Impact resistance

DIN EN 1706 EN AC-AISi 12 (Fe)
IP66
halogen-free/cadmium-free
-
-40°C to +90°C
good
good
very good
silver grey RAL 7001
> 7 Joule, EN50014

Outer dimensions

Dimensional diagram

L	B	H	Page
50	45	30	65
58	64	34	65
75	80	57	66
98	64	34	66
122	120	80	67
125	80	57	67
150	64	34	68
160	160	90	68
175	80	57	69
200	230	110	69
220	120	80	70
220	120	90	70
250	80	52	71
260	160	90	71
280	180	100	72
280	230	110	72
330	230	110	73
330	230	180	73
360	120	80	74
360	160	90	74
560	160	90	75

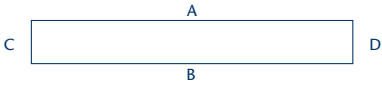
Aluminium

Type	Cat. no.
CA 50/30	4000.0
CA 58/34	4001.0
CA 75/57	4003.0
CA 98/34	4002.0
CA 122/80	4007.0
CA 125/57	4004.0
CA 150/34	4005.0
CA 160/90	4010.0
CA 175/57	4006.0
CA 200/110	4016.0
CA 220/80	4008.0
CA 220/90	4009.0
CA 250/52	4014.0
CA 260/90	4011.0
CA 280/100	4438.0
CA 280/110	4017.0
CA 330/110	4018.0
CA 330/180	4019.0
CA 360/80	4015.0
CA 360/90	4012.0
CA 560/90	4013.0

Aluminium housing CA

CA 50/30	Type	Cat. no.	Wt.
CA 50/30		4000.0	72 g

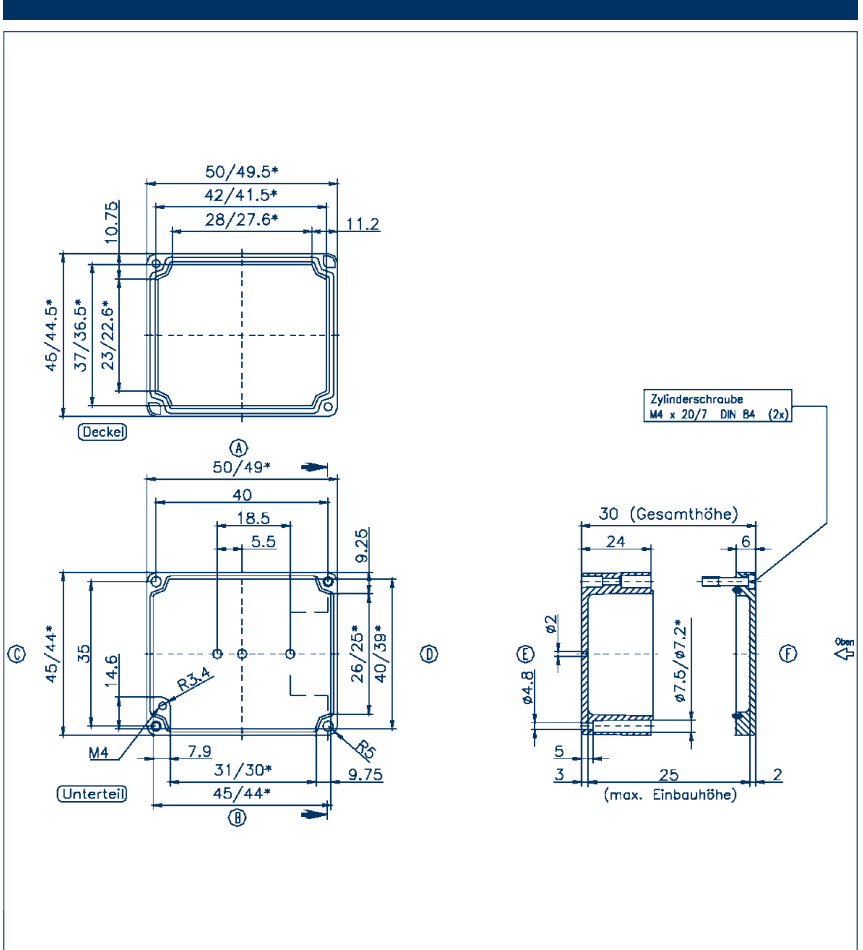
Threaded drill hole options



M	A/B	C/D	PG	A/B	C/D
12	2	1	7	2	1
16	-	-	9	1	-
20	-	-	11	-	-
25	-	-	13.5	-	-
32	-	-	16	-	-
40	-	-	21	-	-
50	-	-	29	-	-
63	-	-	36	-	-
			42	-	-
			48	-	-

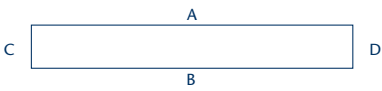
Accessories	Qty.
DIN rail section TS15	
Cat. no.	
DIN rail section TS35	
Cat. no.	
Mounting screw BS	
Cat. no.	
Mounting plate MP	
Cat. no.	
Wall brackets WL	
Cat. no.	
External joints (pair) AG	
Cat. no.	

Dimensional diagram



CA 58/34	Type	Cat. no.	Wt.
CA 58/34		4001.0	141 g

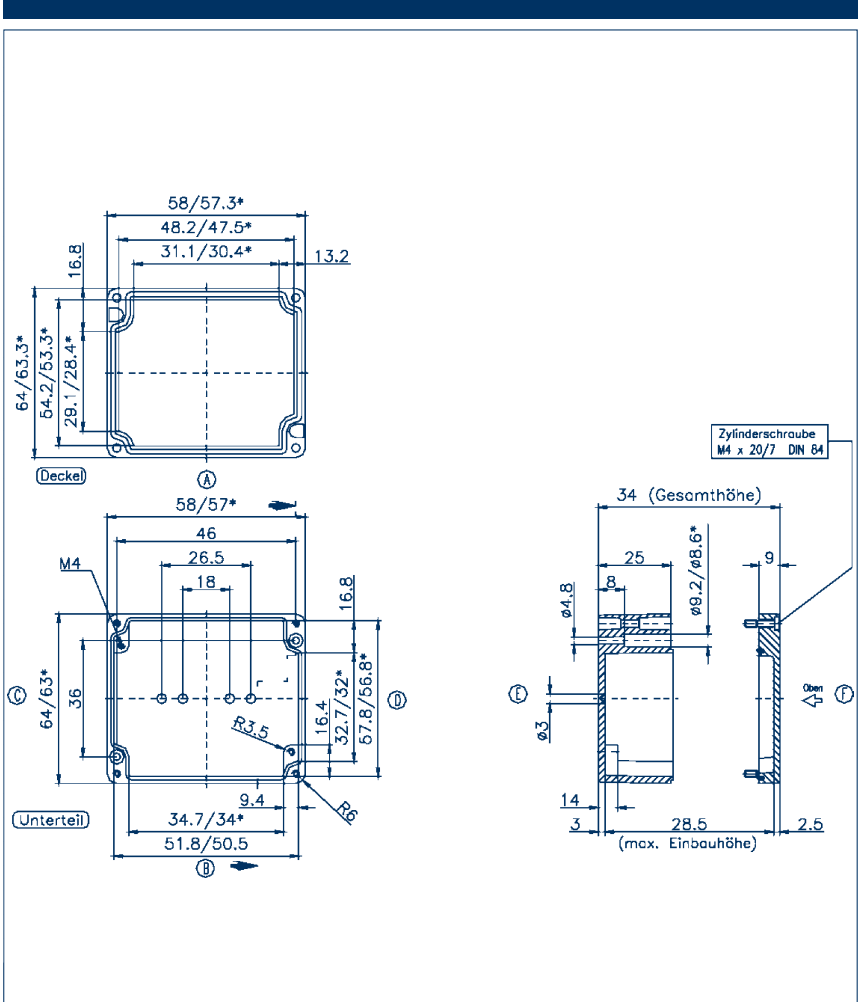
Threaded drill hole options



M	A/B	C/D	PG	A/B	C/D
12	2	1	7	2	1
16	-	-	9	1	1
20	-	-	11	-	-
25	-	-	13.5	-	-
32	-	-	16	-	-
40	-	-	21	-	-
50	-	-	29	-	-
63	-	-	36	-	-
			42	-	-
			48	-	-

Accessories	Qty.
DIN rail section TS15	
Cat. no.	
DIN rail section TS35	
Cat. no.	
Mounting screw BS	
Cat. no.	
Mounting plate MP	
Cat. no.	
Wall brackets WL	
Cat. no.	
External joints (pair) AG	
Cat. no.	

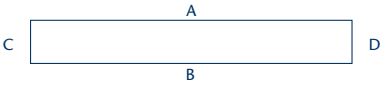
Dimensional diagram



Aluminium housing CA

CA 75/57		
Type	Cat. no.	Wt.
CA 75/57	4003.0	301 g

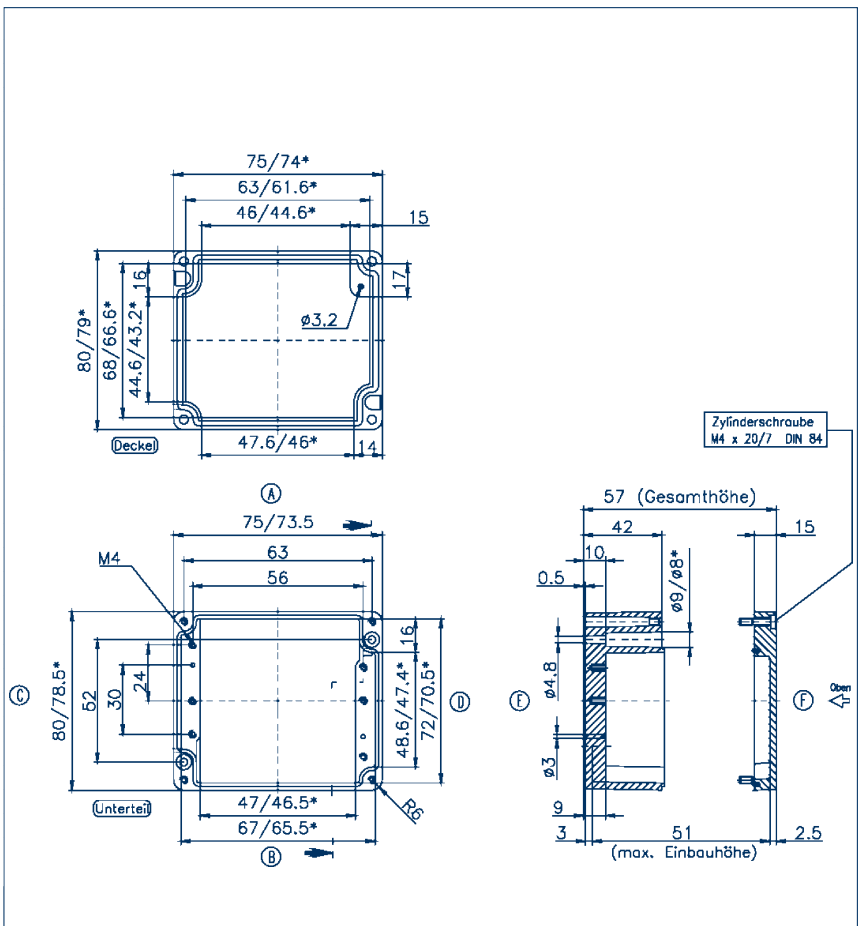
Threaded drill hole options



M	A/B	C/D	PG	A/B	C/D
12	6	5	7	6	5
16	2	2	9	4	2
20	2	2	11	2	2
25	1	-	13.5	2	2
32	-	-	16	1	1
40	-	-	21	1	-
50	-	-	29	-	-
63	-	-	36	-	-
			42	-	-
			48	-	-

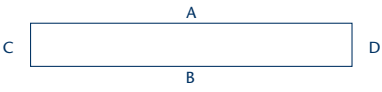
Accessories			Qty.
DIN rail section TS15	TS 15 / 61 mm long		1
Cat. no.	4510.7		
DIN rail section TS35			
Cat. no.			
Mounting screw BS	BS M 4x5		100
Cat. no.	4557.0		
Mounting plate MP	MP/A 75		1
Cat. no.	4500.7		
Wall brackets WL	WL/CP/CA short		1
Cat. no.	4509.3		
External joints (pair) AG			
Cat. no.			

Dimensional diagram



CA 98/34		
Type	Cat. no.	Wt.
CA 98/34	4002.0	202 g

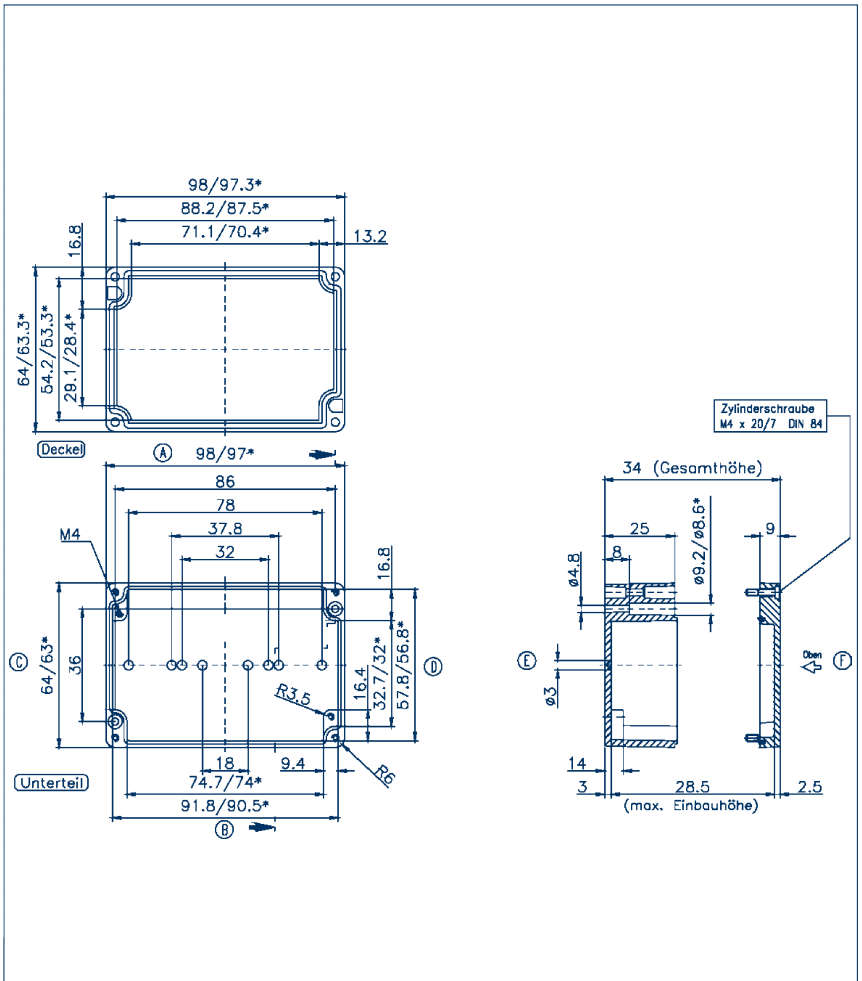
Threaded drill hole options



M	A/B	C/D	PG	A/B	C/D
12	4	1	7	4	1
16	-	-	9	3	1
20	-	-	11	-	-
25	-	-	13.5	-	-
32	-	-	16	-	-
40	-	-	21	-	-
50	-	-	29	-	-
63	-	-	36	-	-
			42	-	-
			48	-	-

Accessories			Qty.
DIN rail section TS15	TS 15 / 87 mm long		1
Cat. no.	4559.2		
DIN rail section TS35			
Cat. no.			
Mounting screw BS	BS M 4x5		100
Cat. no.	4557.0		
Mounting plate MP			
Cat. no.			
Wall brackets WL			
Cat. no.			
External joints (pair) AG			
Cat. no.			

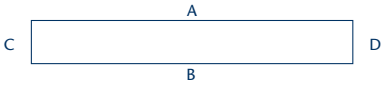
Dimensional diagram



Aluminium housing CA

CA 122/80	Type	Cat. no.	Wt.
CA 122/80		4007.0	900 g

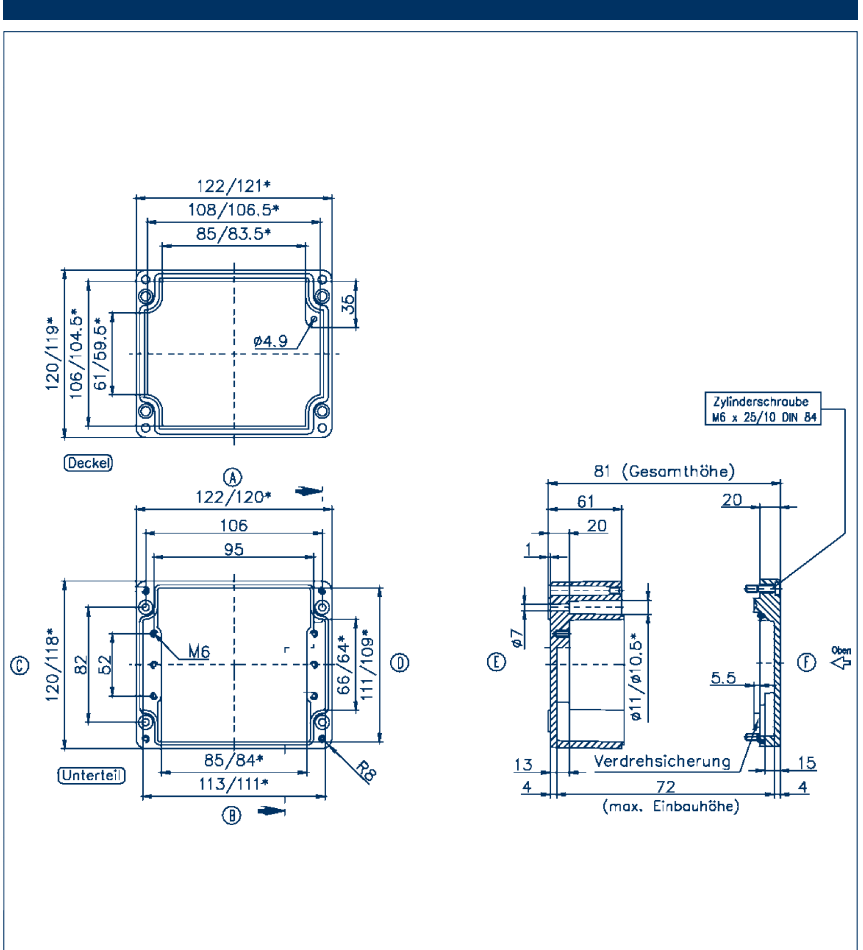
Threaded drill hole options



M	A/B	C/D	PG	A/B	C/D
12	16	11	7	16	11
16	8	5	9	11	6
20	6	4	11	6	4
25	3	2	13.5	6	3
32	2	1	16	5	2
40	-	-	21	2	2
50	-	-	29	2	1
63	-	-	36	-	-
			42	-	-
			48	-	-

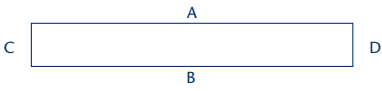
Accessories	Qty.
DIN rail section TS15	
Cat. no.	
DIN rail section TS35	TS 35 / 106 mm long
Cat. no.	4559.5
Mounting screw BS	BS M 6x8
Cat. no.	4558.0
Mounting plate MP	MP/A 122
Cat. no.	4500.5
Wall brackets WL	WL/CP/CA long
Cat. no.	4509.4
External joints (pair) AG	AG/CP/CA (pair)
Cat. no.	4509.6

Dimensional diagram



CA 125/57	Type	Cat. no.	Wt.
CA 125/57		4004.0	428 g

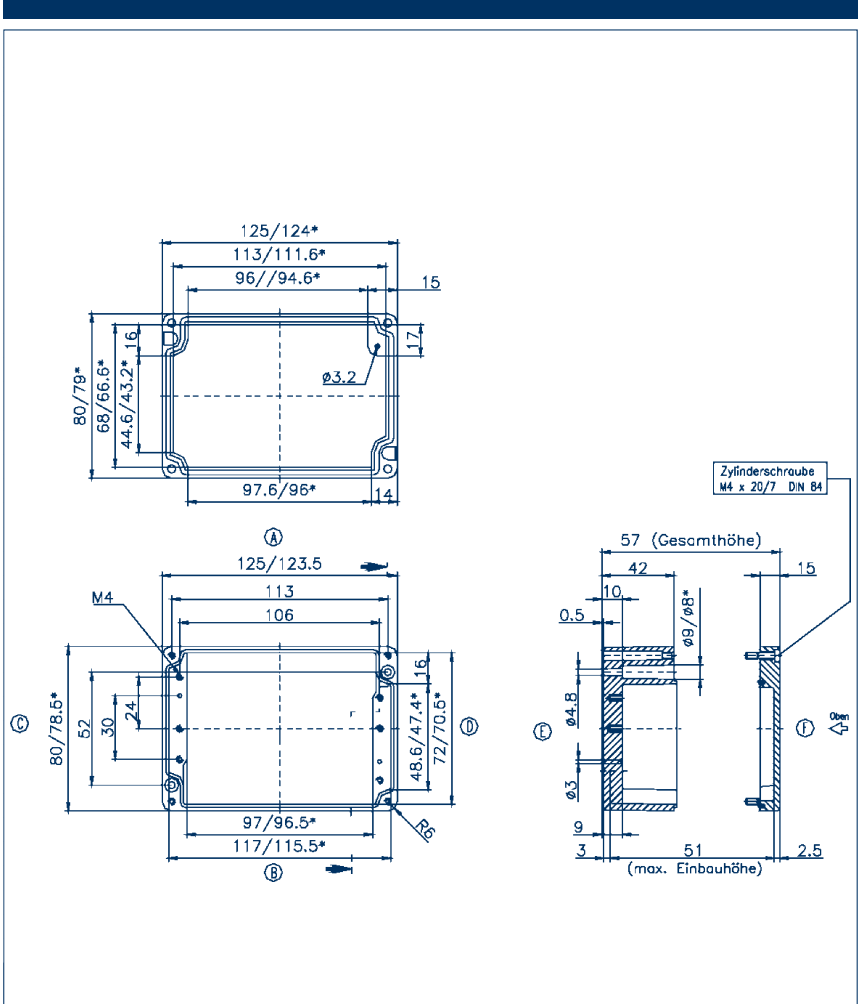
Threaded drill hole options



M	A/B	C/D	PG	A/B	C/D
12	12	5	7	12	5
16	5	2	9	8	2
20	4	2	11	5	2
25	3	-	13.5	4	2
32	-	-	16	3	1
40	-	-	21	2	-
50	-	-	29	-	-
63	-	-	36	-	-
			42	-	-
			48	-	-

Accessories	Qty.
DIN rail section TS15	TS 15 / 110 mm long
Cat. no.	4510.8
DIN rail section TS35	
Cat. no.	
Mounting screw BS	BS M 4 x 5
Cat. no.	4557.0
Mounting plate MP	MP/A 125
Cat. no.	4500.9
Wall brackets WL	WL/CP/CA short
Cat. no.	4509.3
External joints (pair) AG	
Cat. no.	

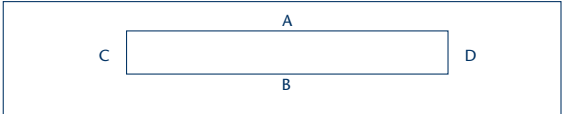
Dimensional diagram



Aluminium housing CA

CA 150/34	Type	Cat. no.	Wt.
CA 150/34		4005.0	264 g

Threaded drill hole option



M	A/B	C/D	PG	A/B	C/D
12	8	1	7	8	1
16	-	-	9	6	1
20	-	-	11	-	-
25	-	-	13.5	-	-
32	-	-	16	-	-
40	-	-	21	-	-
50	-	-	29	-	-
63	-	-	36	-	-
			42	-	-
			48	-	-

Accessories Qty.

DIN rail section TS15

Cat. no.

DIN rail section TS35

Cat. no.

Mounting screw BS

Cat. no.

Mounting plate MP

Cat. no.

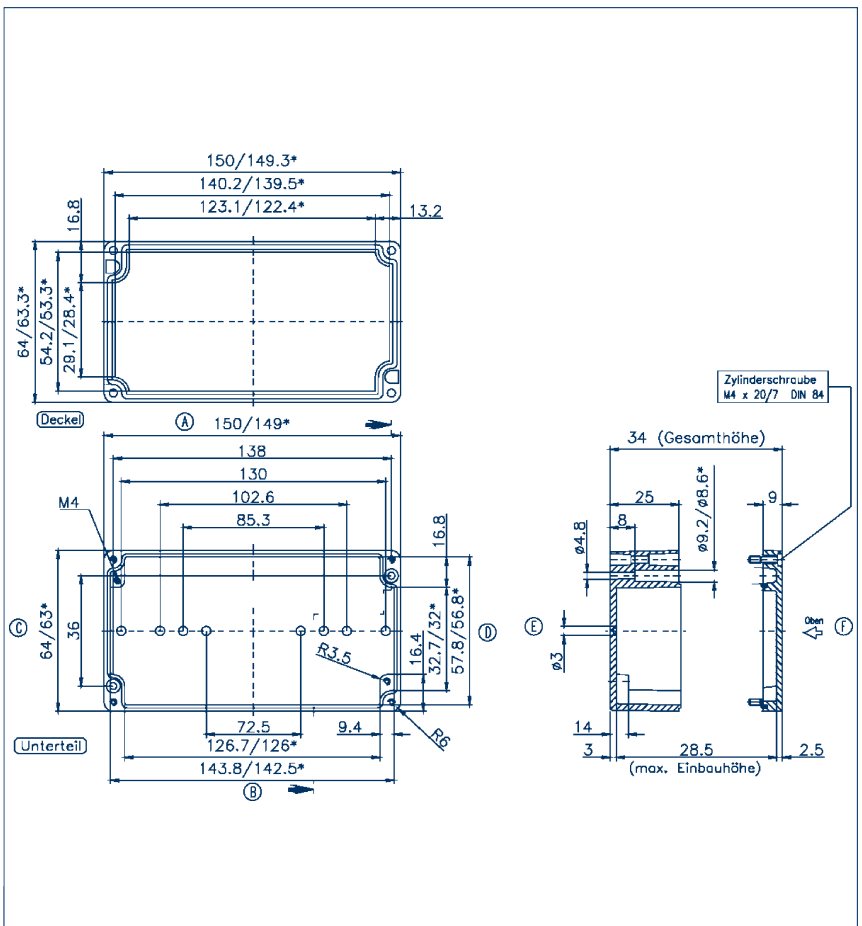
Wall brackets WL

Cat. no.

External joints (pair) AG

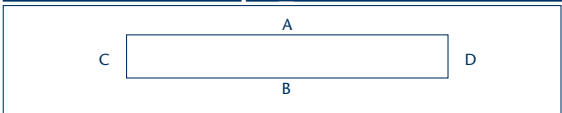
Cat. no.

Dimensional diagram



CA 160/90	Type	Cat. no.	Wt.
CA 160/90		4010.0	1537 g

Threaded drill hole options



M	A/B	C/D	PG	A/B	C/D
12	26	16	7	26	16
16	12	8	9	15	11
20	9	6	11	12	6
25	5	3	13.5	9	6
32	3	2	16	8	5
40	2	1	21	5	3
50	2	-	29	2	2
63	-	-	36	2	1
			42	1	-
			48	-	-

Accessories Qty.

DIN rail section TS15

Cat. no.

DIN rail section TS35 TS 35 / 144 mm long

Cat. no. 4507.4

1

Mounting screw BS BS M 6x8

Cat. no. 4558.0

1

Mounting plate MP MP/A 160

Cat. no. 4501.9

1

Wall brackets WL WL/CP/CA long

Cat. no. 4509.4

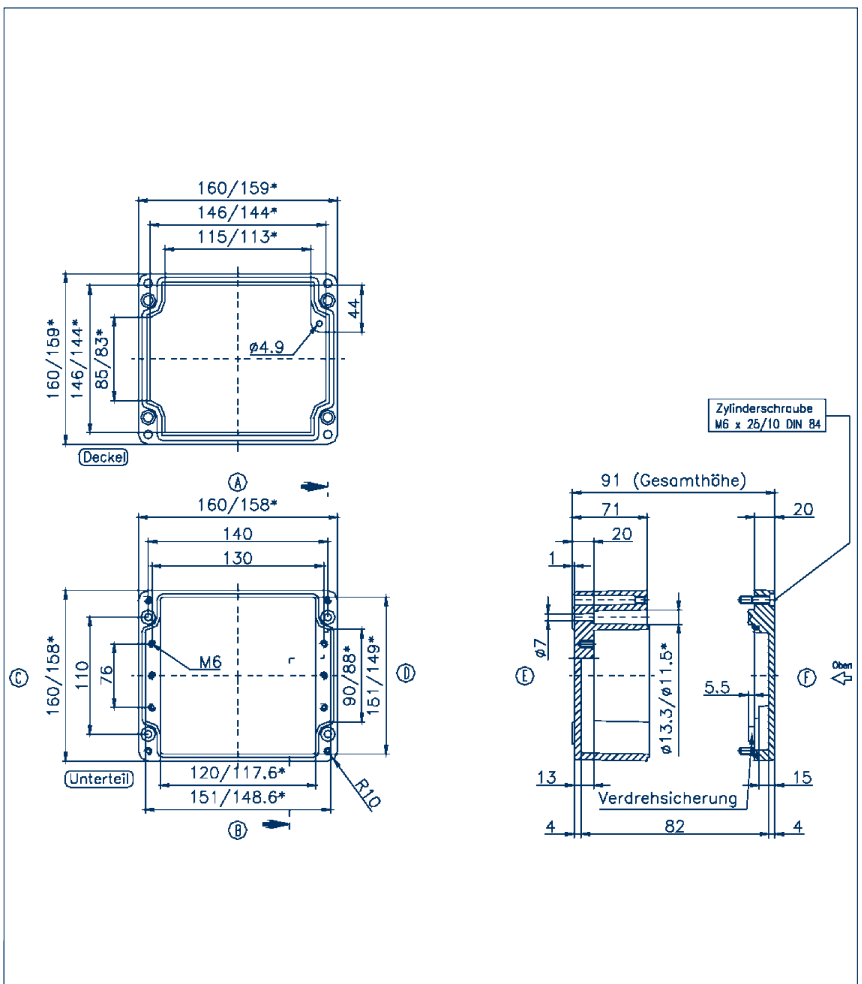
1

External joints (pair) AG AG/CP/CA (pair)

Cat. no. 4509.6

1

Dimensional diagram



Aluminium housing CA

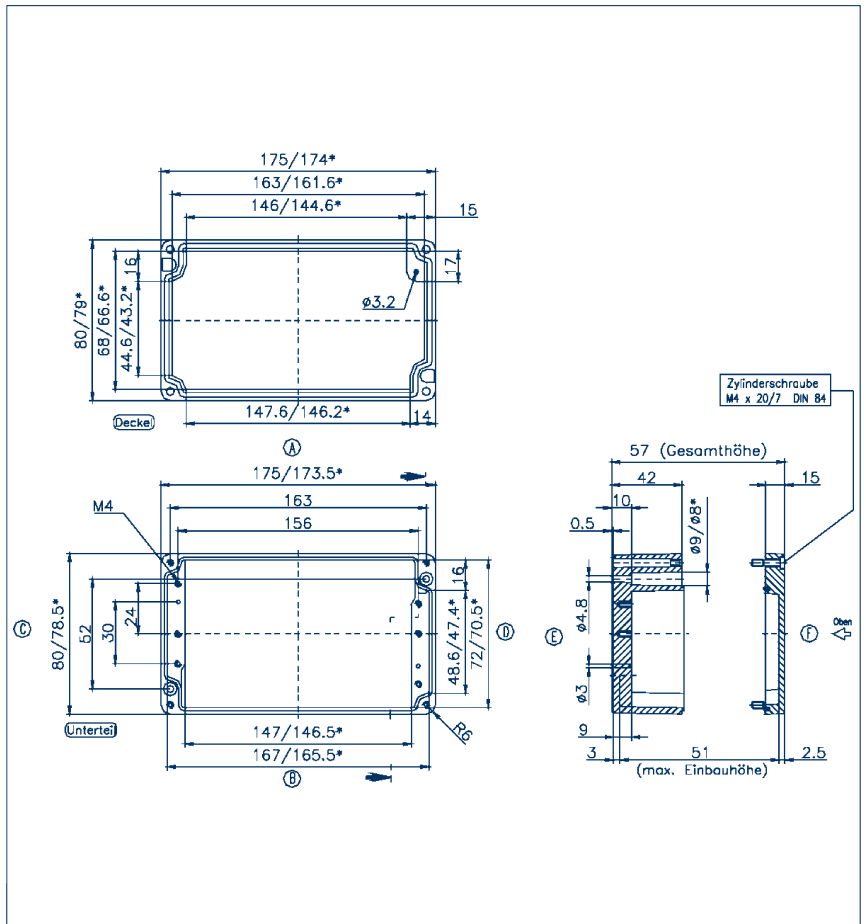
CA 175/57		
Type	Cat. no.	Wt.
CA 175/57	4006.0	553 g

Threaded drill hole options

M	A/B	C/D	PG	A/B	C/D
12	17	5	7	17	5
16	7	2	9	11	2
20	6	2	11	7	2
25	4	-	13.5	6	2
32	-	-	16	5	1
40	-	-	21	4	-
50	-	-	29	-	-
63	-	-	36	-	-
			42	-	-
			48	-	-

Accessories			Qty.
DIN rail section TS15	TS 15 / 160 mm long		
Cat. no.	4507.0		1
DIN rail section TS35	TS 35 / 160 mm long		
Cat. no.	4510.9		1
Mounting screw BS	BS M 4x5		
Cat. no.	4557.0		1
Mounting plate MP	MP/A 175		
Cat. no.	4501.3		1
Wall brackets WL	WL/CP/CA short		
Cat. no.	4509.3		1
External joints (pair) AG			
Cat. no.			

Dimensional diagram



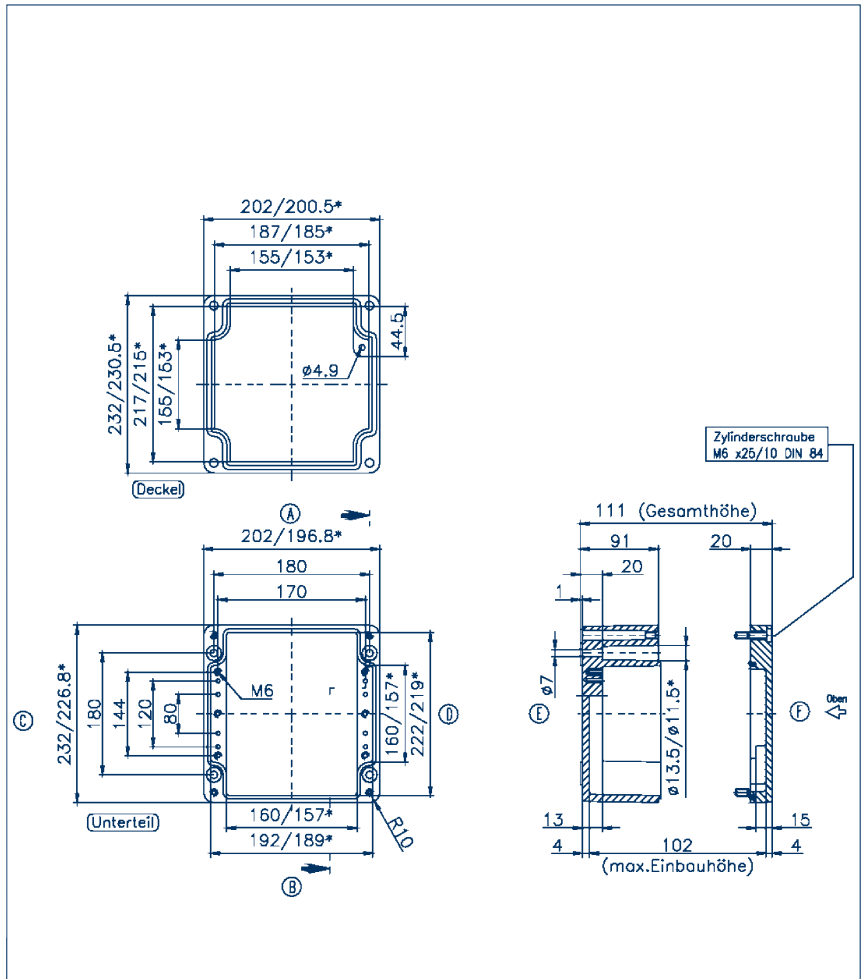
CA 200/110		
Type	Cat. no.	Wt.
CA 200/110	4016.0	2522 g

Threaded drill hole options

M	A/B	C/D	PG	A/B	C/D
12	45	45	7	45	45
16	22	18	9	28	28
20	18	17	11	20	18
25	8	8	13.5	18	17
32	6	5	16	15	12
40	3	3	21	8	8
50	2	2	29	5	4
63	2	2	36	3	3
			42	2	2
			48	2	2

Accessories			Qty.
DIN rail section TS15			
Cat. no.			
DIN rail section TS35	TS 35 / 186 mm long		
Cat. no.	4560.1		1
Mounting screw BS	BS M 6x8		
Cat. no.	4558.0		100
Mounting plate MP	MP/A 2023		
Cat. no.	4512.6		1
Wall brackets WL	WL/CP/CA long		
Cat. no.	4509.4		1
External joints (pair) AG	AG/CP/CA (pair)		
Cat. no.	4509.6		1

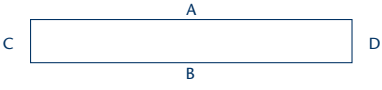
Dimensional diagram



Aluminium housing CA

CA 220/80		
Type	Cat. no.	Wt.
CA 220/80	4008.0	1328 g

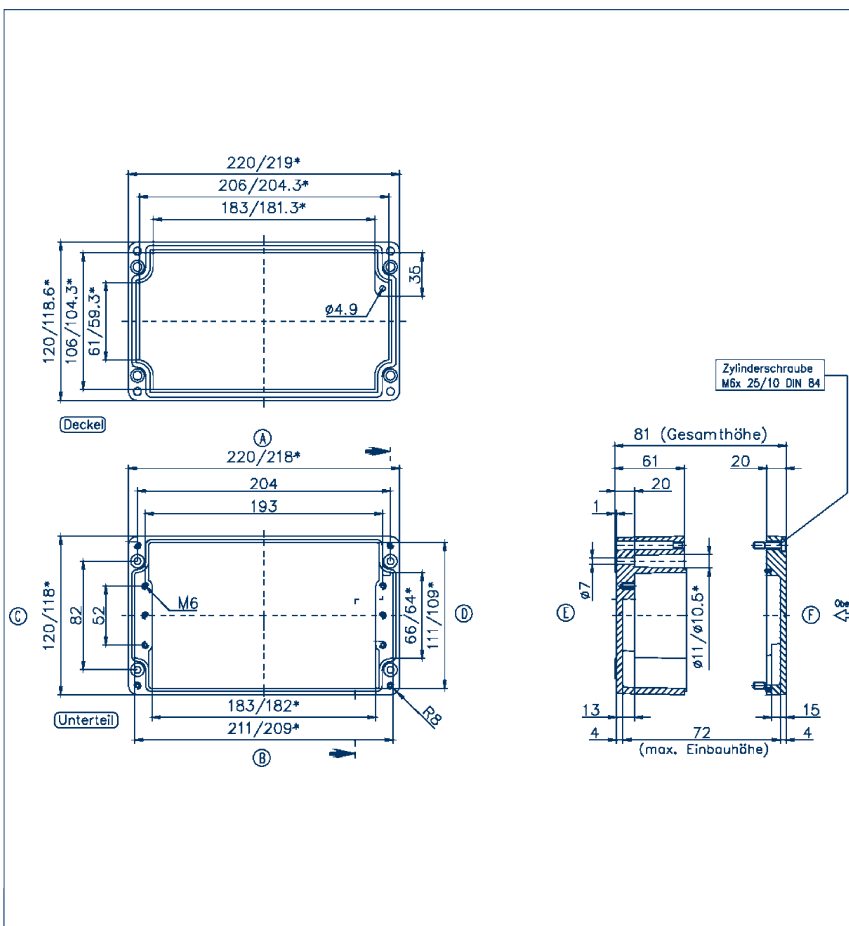
Threaded drill hole options



M	A/B	C/D	PG	A/B	C/D
12	34	11	7	34	11
16	15	6	9	24	6
20	14	4	11	15	4
25	6	2	13.5	14	4
32	4	1	16	11	2
40	-	-	21	6	2
50	-	-	29	4	1
63	-	-	36	-	-
			42	-	-
			48	-	-

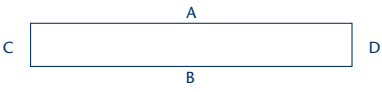
Accessories		Qty.
DIN rail section TS15		
Cat. no.		
DIN rail section TS35	TS 35 / 208 mm long	1
Cat. no.	4507.3	
Mounting screw BS	BS M 6x8	100
Cat. no.	4558.0	
Mounting plate MP	MP/A 220	1
Cat. no.	4501.7	
Wall brackets WL	WL/CP/CA long	1
Cat. no.	4509.4	
External joints (pair) AG	AG/CP/CA (pair)	1
Cat. no.	4509.6	

Dimensional diagram



CA 220/90		
Type	Cat. no.	Wt.
CA 220/90	4009.0	1422 g

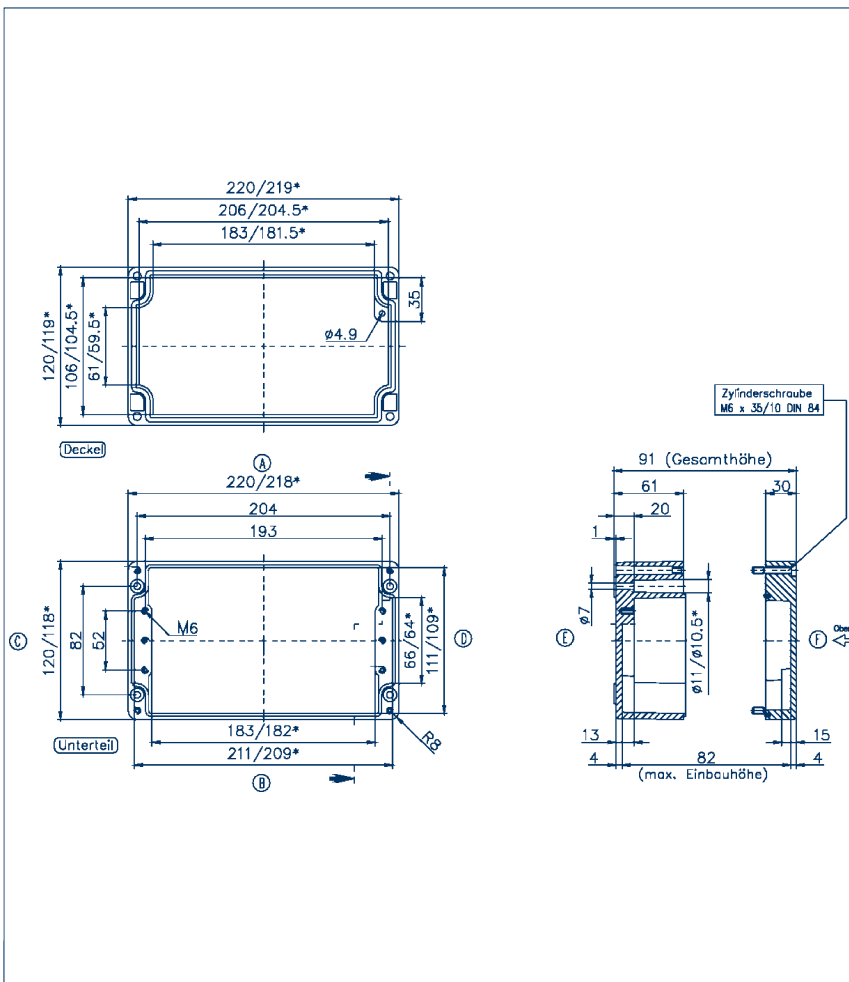
Threaded drill hole options



M	A/B	C/D	PG	A/B	C/D
12	34	11	7	34	11
16	15	6	9	24	6
20	14	4	11	15	4
25	6	2	13.5	14	4
32	4	1	16	11	2
40	-	-	21	6	2
50	-	-	29	4	1
63	-	-	36	-	-
			42	-	-
			48	-	-

Accessories		Qty.
DIN rail section TS15		
Cat. no.		
DIN rail section TS35	TS 35 / 208 mm long	1
Cat. no.	4507.3	
Mounting screw BS	BS M 6x8	100
Cat. no.	4558.0	
Mounting plate MP	MP/A 220	1
Cat. no.	4501.7	
Wall brackets WL	WL/CP/CA long	1
Cat. no.	4509.4	
External joints (pair) AG	AG/CP/CA (pair)	1
Cat. no.	4509.6	

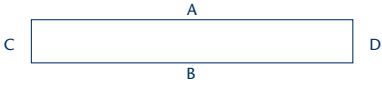
Dimensional diagram



Aluminium housing CA

CA 250/52		
Type	Cat. no.	Wt.
CA 250/52	4014.0	727 g

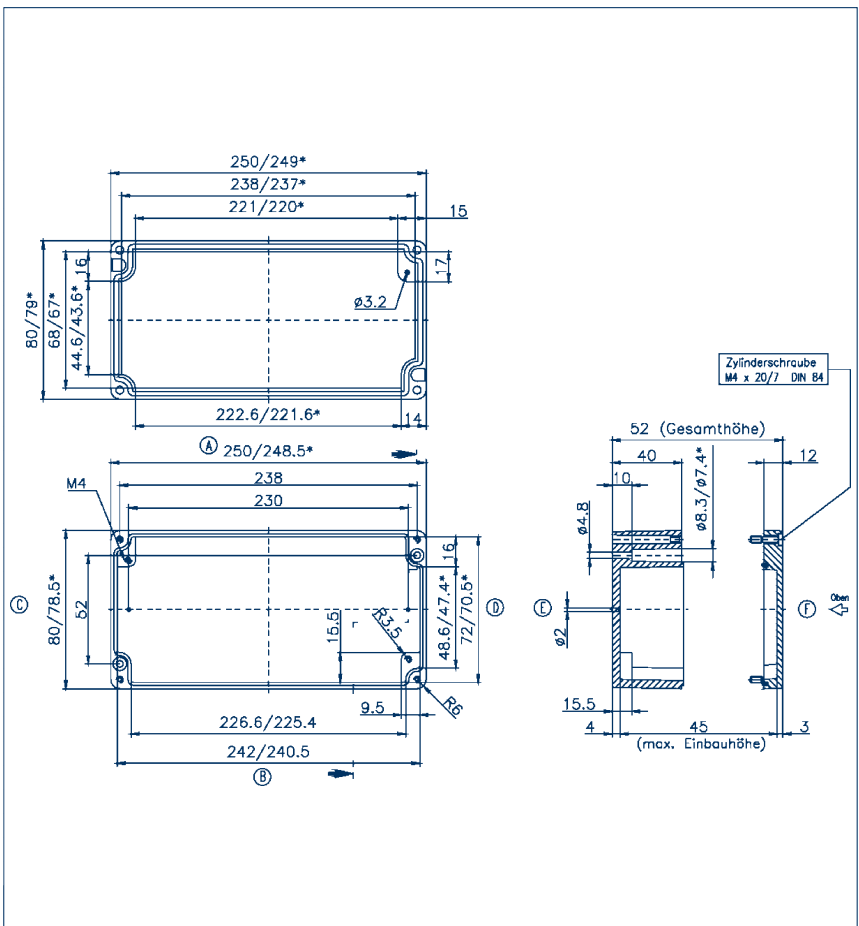
Threaded drill hole options



M	A/B	C/D	PG	A/B	C/D
12	26	6	7	26	6
16	10	2	9	17	3
20	9	2	11	10	2
25	6	1	13.5	9	2
32	-	-	16	7	1
40	-	-	21	4	1
50	-	-	29	-	-
63	-	-	36	-	-
			42	-	-
			48	-	-

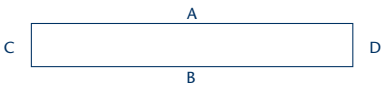
Accessories	Qty.
DIN rail section TS15	
Cat. no.	
DIN rail section TS35	
Cat. no.	
Mounting screw BS	
Cat. no.	
Mounting plate MP	
Cat. no.	
Wall brackets WL	
Cat. no.	
External joints (pair) AG	
Cat. no.	

Dimensional diagram



CA 260/90		
Type	Cat. no.	Wt.
CA 260/90	4011.0	2053 g

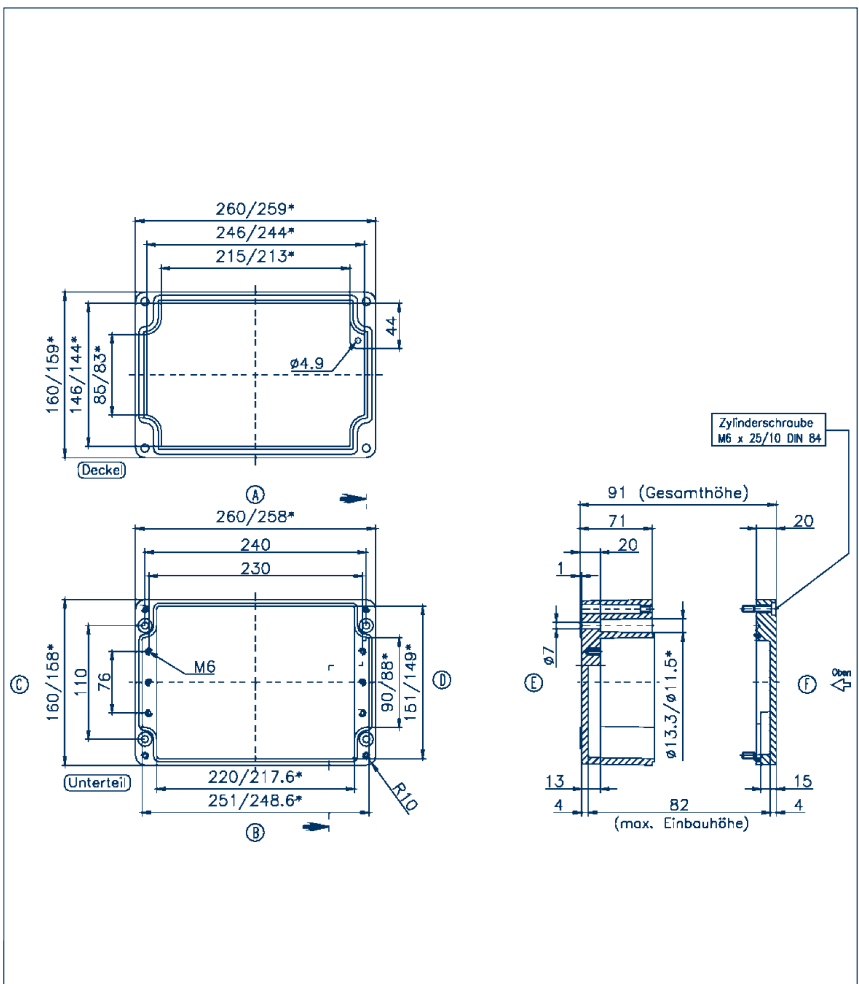
Threaded drill hole options



M	A/B	C/D	PG	A/B	C/D
12	50	16	7	50	16
16	24	8	9	30	11
20	17	6	11	23	6
25	10	3	13.5	17	6
32	5	2	16	14	5
40	3	1	21	9	3
50	3	-	29	5	2
63	-	-	36	3	1
			42	3	-
			48	-	-

Accessories	Qty.
DIN rail section TS15	
Cat. no.	
DIN rail section TS35	TS 35 / 248 mm long
Cat. no.	4507.5
Mounting screw BS	BS M 6 x 8
Cat. no.	4558.0
Mounting plate MP	MP/A 260
Cat. no.	4502.1
Wall brackets WL	WL/CP/CA long
Cat. no.	4509.4
External joints (pair) AG	AG/CP/CA (pair)
Cat. no.	4509.6

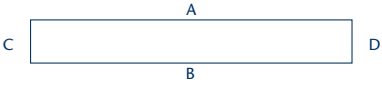
Dimensional diagram



Aluminium housing CA

CA 280/100	Type	Cat. no.	Wt.
CA 280/100		4438.0	2468 g

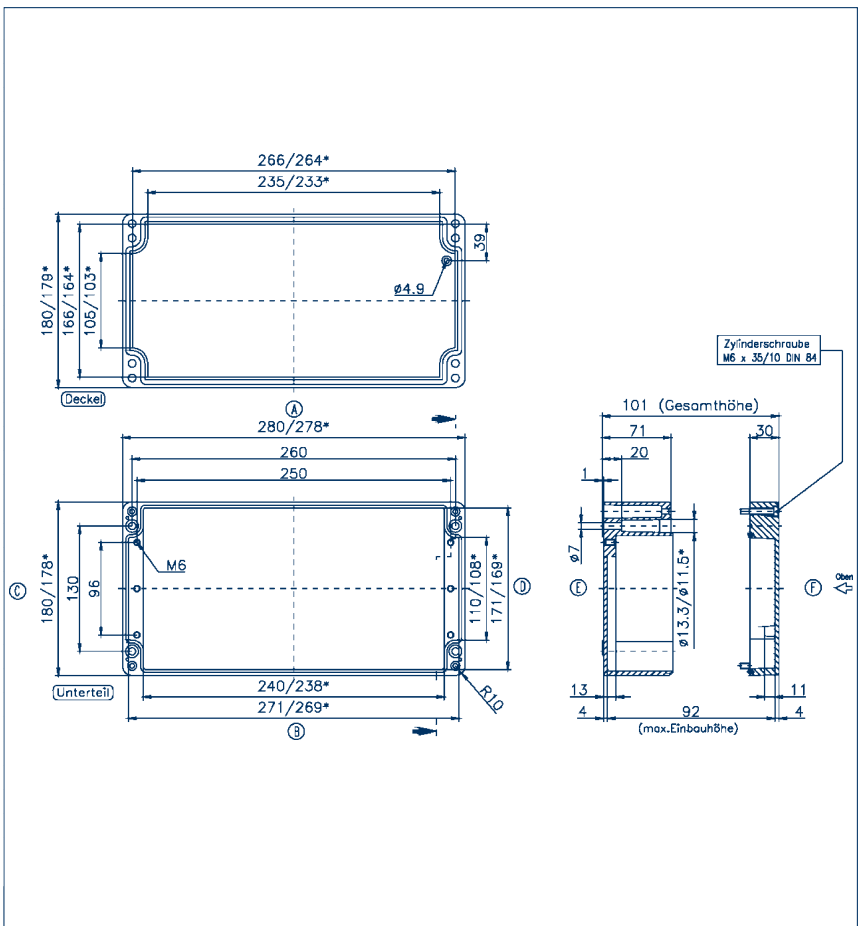
Threaded drill hole options



M	A/B	C/D	PG	A/B	C/D
12	52	22	7	52	22
16	26	10	9	33	15
20	18	8	11	23	10
25	11	4	13.5	18	8
32	5	2	16	14	7
40	4	2	21	10	4
50	3	-	29	5	2
63	-	-	36	4	2
			42	3	-
			48	-	-

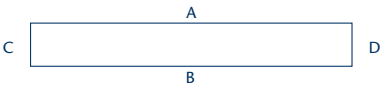
Accessories	Qty.
DIN rail section TS15	
Cat. no.	
DIN rail section TS35	TS 35 / 264 mm long
Cat. no.	4570.0
Mounting screw BS	BS M 6x8
Cat. no.	4558.0
	100
Mounting plate MP	MP/A 280
Cat. no.	4571.0
Wall brackets WL	WL/CP/CA long
Cat. no.	4509.4
	1
External joints (pair) AG	AG/CP/CA (pair)
Cat. no.	4509.6
	1

Dimensional diagram



CA 280/110	Type	Cat. no.	Wt.
CA 280/110		4017.0	3030 g

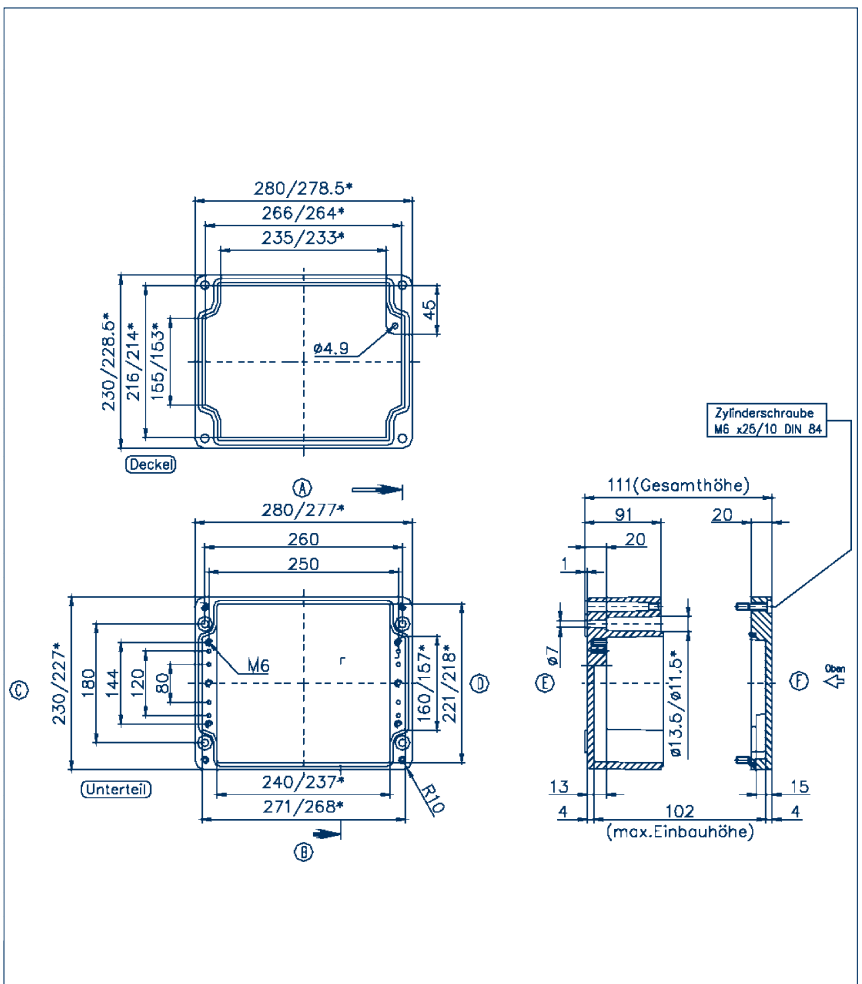
Threaded drill hole options



M	A/B	C/D	PG	A/B	C/D
12	70	45	7	68	45
16	32	18	9	44	28
20	24	17	11	32	18
25	12	8	13.5	24	17
32	9	5	16	21	12
40	4	3	21	12	8
50	3	2	29	9	4
63	3	2	36	4	3
			42	3	2
			48	3	2

Accessories	Qty.
DIN rail section TS15	
Cat. no.	
DIN rail section TS35	TS 35 / 264 mm long
Cat. no.	4570.0
Mounting screw BS	BS M 6x8
Cat. no.	4558.0
	100
Mounting plate MP	MP/A 2823
Cat. no.	4512.7
Wall brackets WL	WL/CP/CA long
Cat. no.	4509.4
	1
External joints (pair) AG	AG/CP/CA (pair)
Cat. no.	4509.6
	1

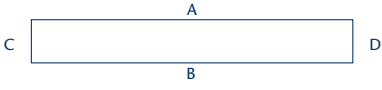
Dimensional diagram



Aluminium housing CA

CA 330/110	Type	Cat. no.	Wt.
CA 330/110		4018.0	3655 g

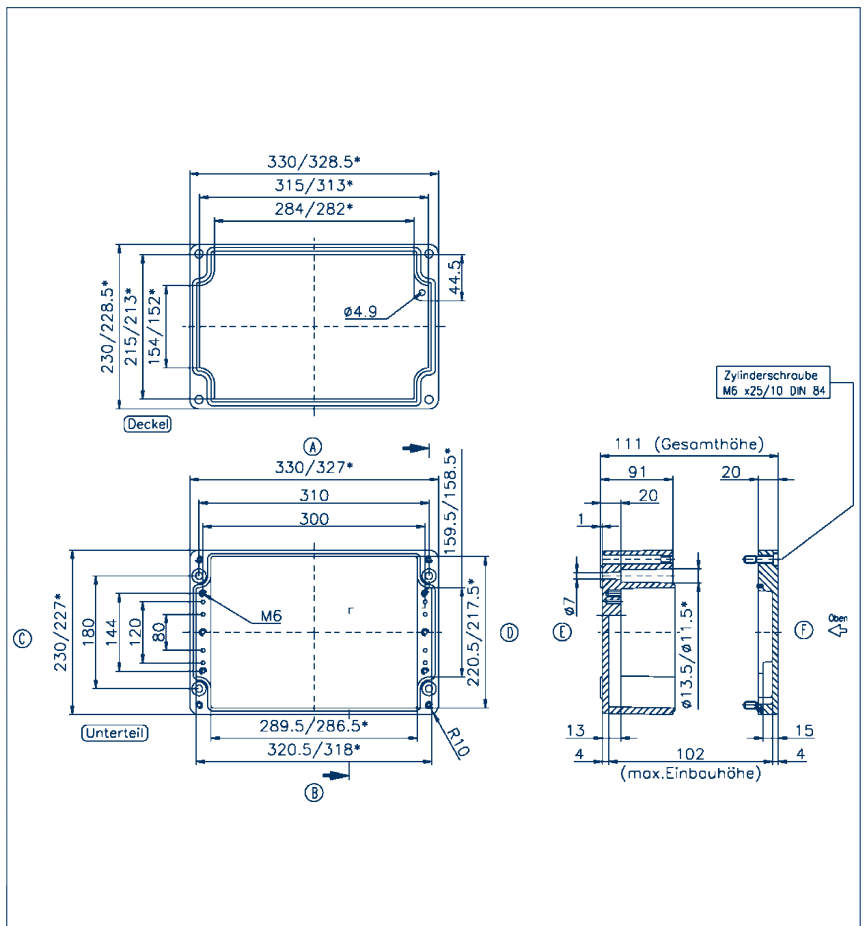
Threaded drill hole options



M	A/B	C/D	PG	A/B	C/D
12	84	45	7	81	45
16	42	18	9	52	28
20	30	17	11	38	18
25	15	8	13.5	30	17
32	11	5	16	27	12
40	5	3	21	15	8
50	4	2	29	11	4
63	4	2	36	5	3
			42	4	2
			48	4	2

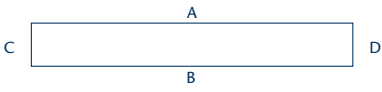
Accessories	Qty.
DIN rail section TS15	
Cat. no.	
DIN rail section TS35	TS 35 / 314 mm long
Cat. no.	4560.3
Mounting screw BS	BS M 6x8
Cat. no.	4558.0
Mounting plate MP	MP/A 3323
Cat. no.	4512.8
Wall brackets WL	WL/CP/CA long
Cat. no.	4509.4
External joints (pair) AG	AG/CP/CA (pair)
Cat. no.	4509.6

Dimensional diagram



CA 330/180	Type	Cat. no.	Wt.
CA 330/180		4019.0	5290 g

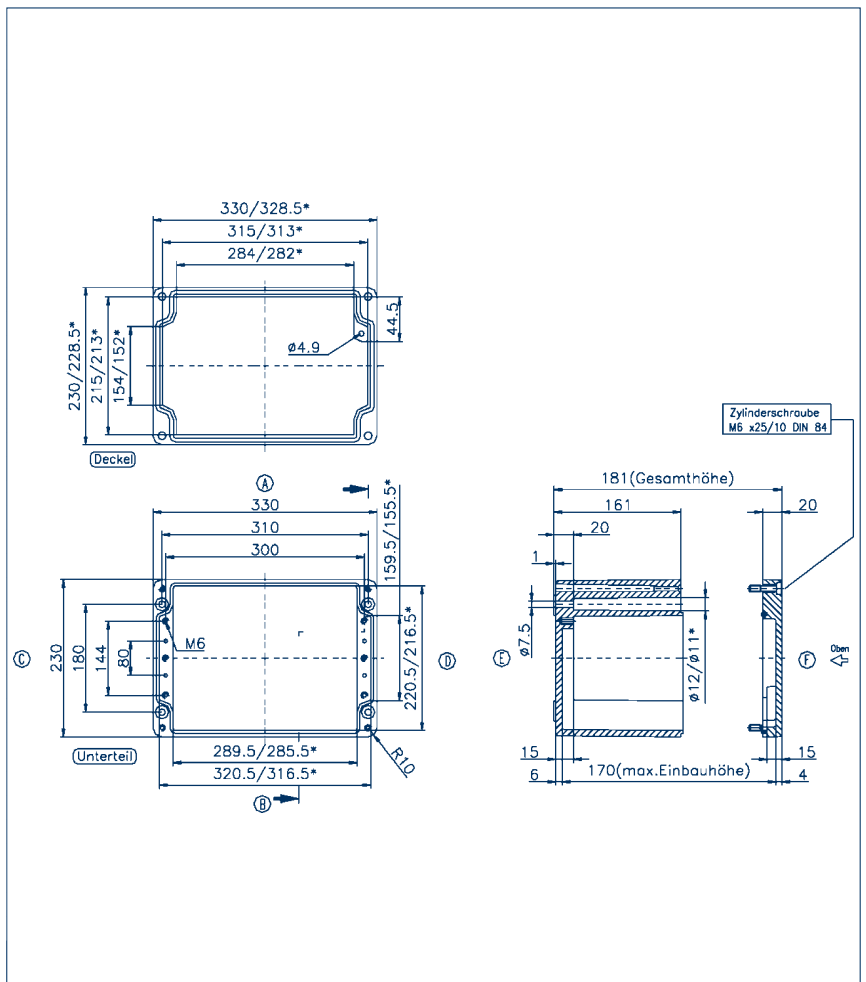
Threaded drill hole options



M	A/B	C/D	PG	A/B	C/D
12	165	81	7	144	81
16	77	36	9	104	49
20	60	33	11	77	36
25	30	16	13.5	60	33
32	18	9	16	45	25
40	11	6	21	30	16
50	8	5	29	18	9
63	8	4	36	11	5
			42	8	4
			48	8	4

Accessories	Qty.
DIN rail section TS15	
Cat. no.	
DIN rail section TS35	TS 35/314 mm long
Cat. no.	4560.3
Mounting screw BS	BS M 6x8
Cat. no.	4558.0
Mounting plate MP	MP/A 3323
Cat. no.	4512.8
Wall brackets WL	WL/CP/CA long
Cat. no.	4509.4
External joints (pair) AG	AG/CP/CA (pair)
Cat. no.	4509.6

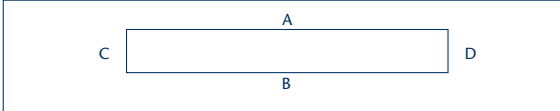
Dimensional diagram



Aluminium housing CA

CA 360/80	Type	Cat. no.	Wt.
CA 360/80		4015.0	2061 g

Threaded drill hole options

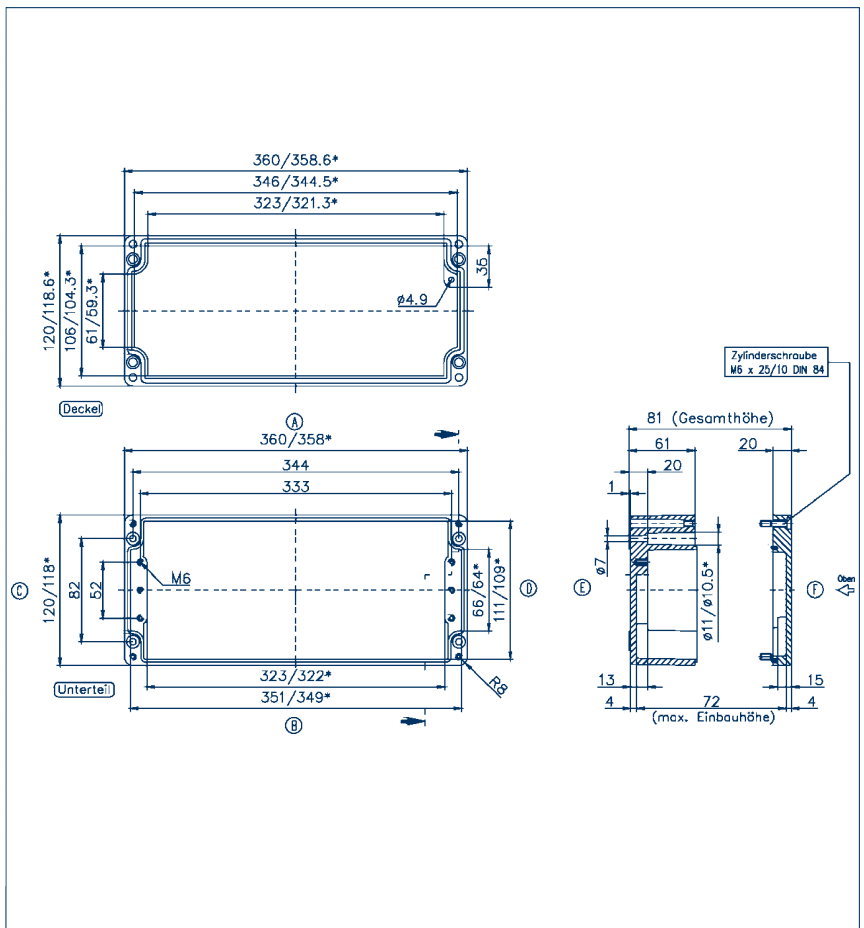


M	A/B	C/D	PG	A/B	C/D
12	58	11	7	58	11
16	26	5	9	41	6
20	24	4	11	26	4
25	10	2	13.5	24	3
32	7	1	16	20	2
40	-	-	21	10	2
50	-	-	29	7	1
63	-	-	36	-	-
			42	-	-
			48	-	-

Accessories Qty.

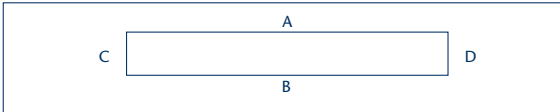
DIN rail section TS15		
Cat. no.		
DIN rail section TS35	TS 35/348 mm long	1
Cat. no.	4572.0	
Mounting screw BS	BS M 6x8	100
Cat. no.	4558.0	
Mounting plate MP	MP/A 362	1
Cat. no.	4512.5	
Wall brackets WL	WL/CP/CA long	1
Cat. no.	4509.4	
External joints (pair) AG	AG/CP/CA (pair)	1
Cat. no.	4509.6	

Dimensional diagram



CA 360/90	Type	Cat. no.	Wt.
CA 360/90		4012.0	2658 g

Threaded drill hole options

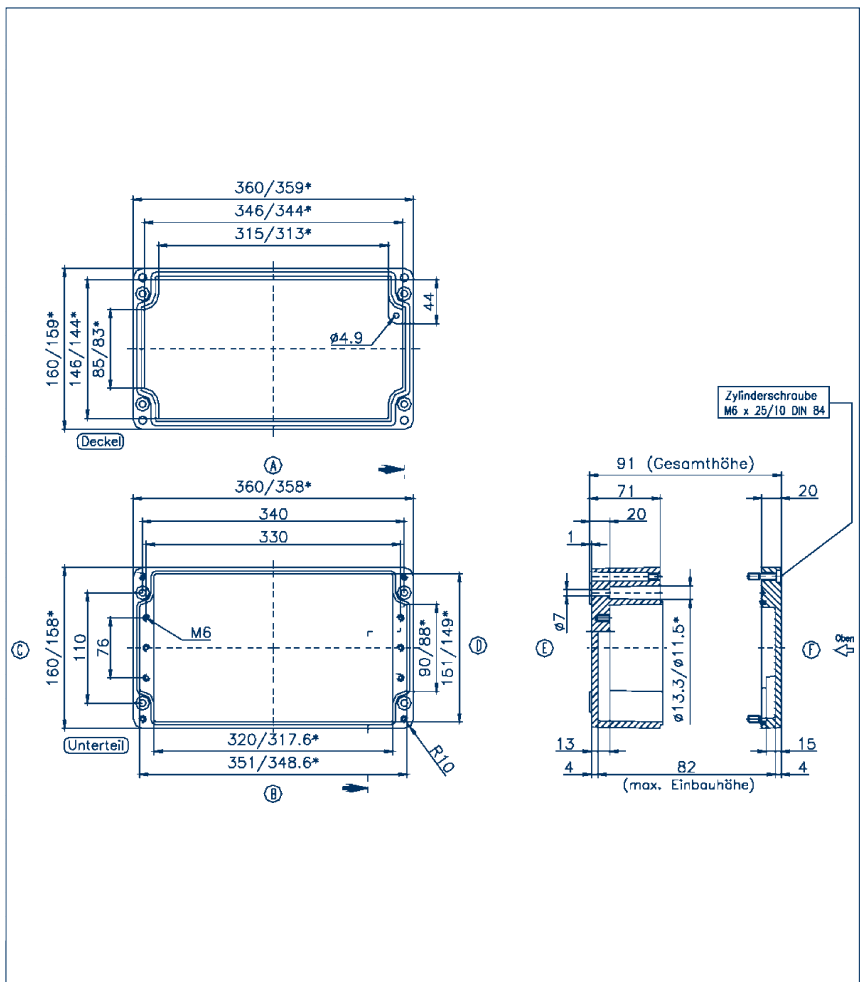


M	A/B	C/D	PG	A/B	C/D
12	72	16	7	72	16
16	36	8	9	42	11
20	24	6	11	33	6
25	15	3	13.5	24	6
32	7	2	16	20	5
40	5	1	21	14	3
50	4	-	29	7	2
63	-	-	36	5	1
			42	4	-
			48	-	-

Accessories Qty.

DIN rail section TS15		
Cat. no.		
DIN rail section TS35	TS 35 / 338 mm long	1
Cat. no.	4507.6	
Mounting screw BS	BS M 6x8	100
Cat. no.	4558.0	
Mounting plate MP	MP/A 360	1
Cat. no.	4502.3	
Wall brackets WL	WL/CP/CA long	1
Cat. no.	4509.4	
External joints (pair) AG	AG/CP/CA (pair)	1
Cat. no.	4509.6	

Dimensional diagram



Aluminium housing CA

CA 560/90		
Type	Cat. no.	Wt.
CA 560/90	4013.0	3825 g

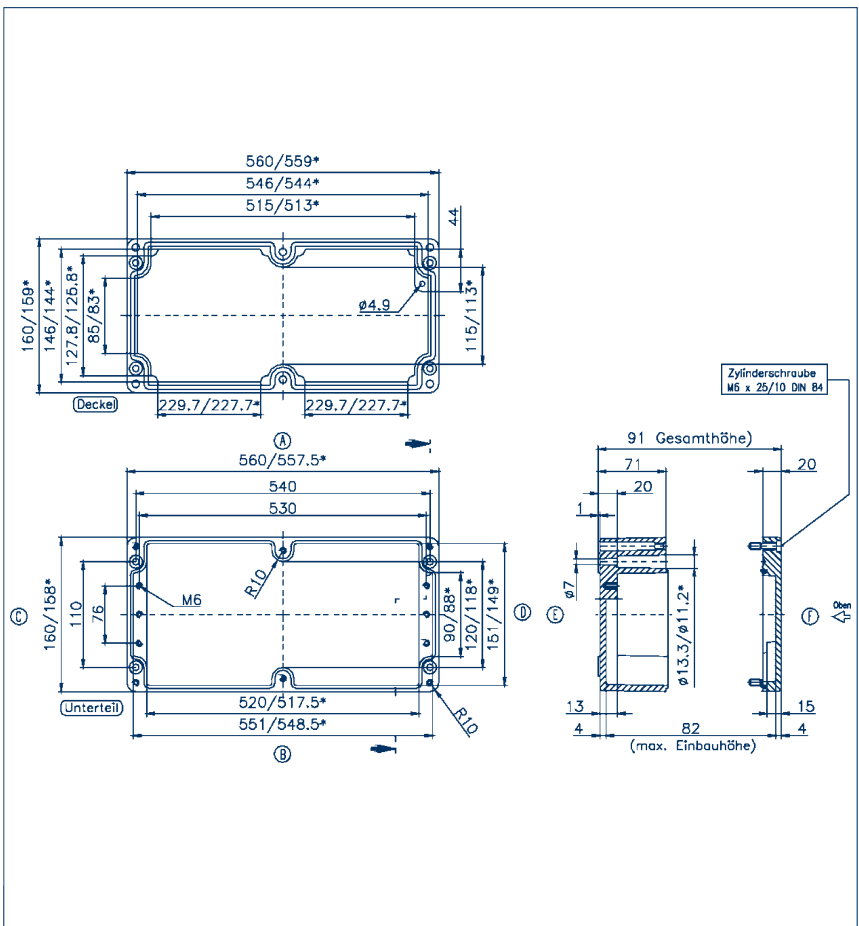
Threaded drill hole options

M	A/B	C/D	PG	A/B	C/D
12	104	16	7	104	16
16	58	8	9	66	11
20	40	6	11	58	6
25	24	3	13.5	40	6
32	12	2	16	32	5
40	8	1	21	24	3
50	6	-	29	12	2
63	-	-	36	8	1
			42	6	-
			48	-	-

Accessories

		Qty.
DIN rail section TS15		
Cat. no.		
DIN rail section TS35	TS 35 / 545 mm long	
Cat. no.	4507.7	1
Mounting screw BS	BS M 6x8	
Cat. no.	4558.0	100
Mounting plate MP	MP/A 560	
Cat. no.	4502.5	1
Wall brackets WL	WL/CP/CA long	
Cat. no.	4509.4	1
External joints (pair) AG	AG/CP/CA (pair)	
Cat. no.	4509.6	1

Dimensional diagram



Aluminium housing CA

Accessories

Mounting plate



Material: Galvanized steel

Type	Cat. no.	Qty.	Housing Type
MP/A 75	4500.7	1	CA 75
MP/A 122	4500.5	1	CA 122
MP/A 125	4500.9	1	CA 125
MP/A 160	4501.9	1	CA 160
MP/A 175	4501.3	1	CA 175
MP/A 2023	4512.6	1	CA 200
MP/A 220/8/9	4501.7	1	CA 220
MP/A 260	4502.1	1	CA 260
MP/A 280	4571.0	1	CA 280
MP/A 2823	4512.7	1	CA 280/110
MP/A 3323	4512.8	1	CA 330
MP/A 360	4502.3	1	CA 360/90
MP/A 362	4512.5	1	CA 360/80
MP/A 560	4502.5	1	CA 560

DIN rail TS35



Material: Galvanized steel

Type	Cat. no.	Qty.	Housing Type
TS 35 / 106 mm long	4559.5	1	CA 122
TS 35 / 144 mm long	4507.4	1	CA 160
TS 35 / 160 mm long	4510.9	1	CA 175
TS 35 / 186 mm long	4560.1	1	CA 200
TS 35 / 208 mm long	4507.3	1	CA 220
TS 35 / 248 mm long	4507.5	1	CA 260
TS 35 / 264 mm long	4570.0	1	CA 280
TS 35 / 314 mm long	4560.3	1	CA 330
TS 35 / 338 mm long	4507.6	1	CA 360/90
TS 35 / 348 mm long	4572.0	1	CA 360/80
TS 35 / 545 mm long	4507.7	1	CA 560

DIN rail TS15



Material: Galvanized steel

Type	Cat. no.	Qty.	Housing Type
TS 15 / 61 mm long	4510.7	1	CA 75
TS 15 / 87 mm long	4559.2	1	CA 98
TS 15 / 110 mm long	4510.8	1	CA 125
TS 15 / 160 mm long	4507.0	1	CA 175

Mounting screw BS



Material: Galvanized steel

Type	Cat. no.	Qty.	Housing Type
BS M 4X5	4557.0	100	CA 75, CA 98, CA 125, CA 175,
BS M 6X8	4558.0	100	CA 122, CA 160, CA 200, CA 220, CA 260, CA 280, CA 330, CA 360, CA 560

External joint AG



Material: Aluminium
Colour: grey, similar to RAL 7000

Type	Cat. no.	Qty.	Housing Type
AG/CP/CA (pair)	4509.6	1	CA 122, CA 160, CA 200, CA 220, CA 260, CA 280, CA 330, CA 360, CA 560

Swivel range: 150°
Set = 2 pieces

Wall brackets WL

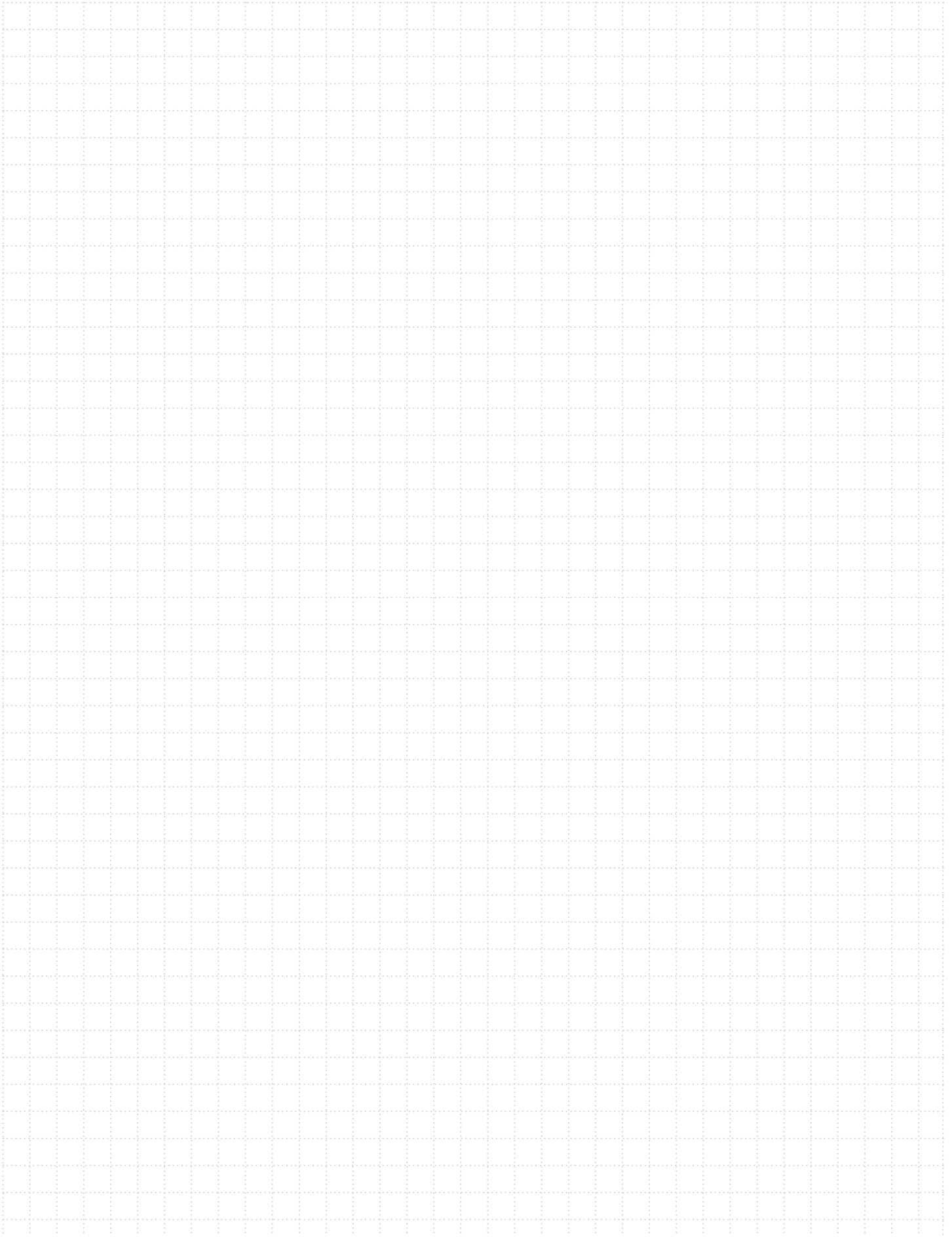


Material: Galvanized steel

Type	Cat. no.	Qty.	Housing Type
WL/CP/CA short	4509.3	1	CA 75, CA 125, CA 175, CA 250
WL/CP/CA long	4509.4	1	CA 122, CA 160, CA 200, CA 220 CA 260, CA 280, CA 330, CA 360, CA 560

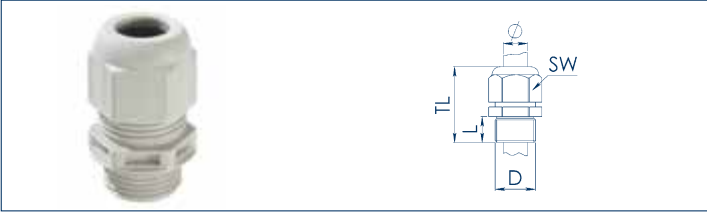
Wall bracket set made of steel: set = 4 pieces

Notes



Metric cable gland systems KV/M

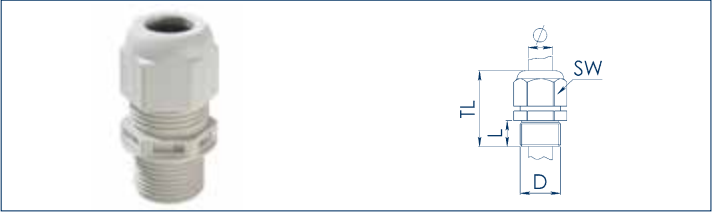
Plastic cable glands / metric thread KV/M



Material: polyamide UL 94 V-0, protection class: IP68-5 - bar,
Colour: RAL 7035 light grey, colour variants (.4) RAL 9005 black,
Seal: EPDM,
Temperature range: -20°C to +100°C, VDE-tested: according to DIN EN 50626

Type	Cat. no.	Qty.	For cable Ø mm	Thread length L, mm	Spanner width AF, mm	TL, mm
KV/M 12x1.5 GR	4573.2	100	3 – 7	9	16	29-34
KV/M 12x1.5 BK	4573.4	100	3 – 7	9	16	29-34
KV/M 16x1.5 GR	4574.2	100	4.5 – 10	9	20	31-37
KV/M 16x1.5 BK	4574.4	100	4.5 – 10	9	20	31-37
KV/M 20x1.5 GR	4575.2	100	6 – 13	10	24	36-45
KV/M 20x1.5 BK	4575.4	100	6 – 13	10	24	36-45
KV/M 25x1.5 GR	4576.2	50	9 – 17	10	29	38-47
KV/M 25x1.5 BK	4576.4	50	9 – 17	10	29	38-47
KV/M 32x1.5 GR	4577.2	25	13 – 21	12	36	42-51
KV/M 32x1.5 BK	4577.4	25	13 – 21	12	36	42-51
KV/M 40x1.5 GR	4578.2	10	16 – 28	12	46	52-65
KV/M 40x1.5 BK	4578.4	10	16 – 28	12	46	52-65
KV/M 50x1.5 GR	4579.2	5	21 – 35	14	55	59-72
KV/M 50x1.5 BK	4579.4	5	21 – 35	14	55	59-72
KV/M 63x1.5 GR	4580.2	5	34 – 48	15	68	64-78
KV/M 63x1.5 BK	4580.4	5	34 – 48	15	68	64-78

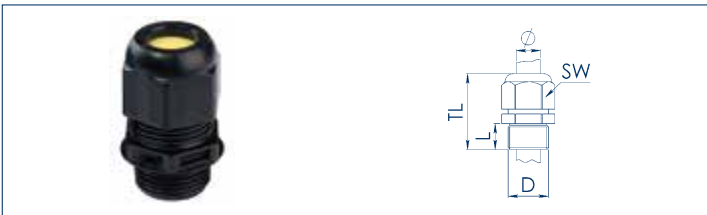
Plastic cable glands / long metric thread KV/M



Material: polyamide UL 94 V-0, protection class: IP68 -5-bar,
Colour: RAL 7035 light grey,
Seal: EPDM,
Temperature range: -20°C to +100°C

Type	Cat. no.	Qty.	For cable Ø mm	Thread length L, mm	Spanner width AF, mm	TL, mm
KV/M-L 12x1.5 GR	17599.2	50	3 – 7	15	16	35-40
KV/M-L 16x1.5 GR	17600.2	50	4.5 – 10	15	20	37-43
KV/M-L 20x1.5 GR	17601.2	50	6 – 13	15	24	41-50
KV/M-L 25x1.5 GR	17602.2	50	9 – 17	15	29	43-52
KV/M-L 32x1.5 GR	17603.2	25	13 – 21	15	36	45-54
KV/M-L 40x1.5 GR	17604.2	10	16 – 28	18	46	58-71
KV/M-L 50x1.5 GR	17605.2	10	21 – 35	18	55	63-76
KV/M-L 63x1.5 GR	17606.2	10	34 – 48	18	68	67-81

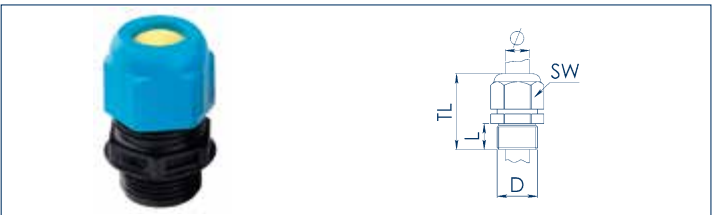
ATEX plastic cable glands / metric thread / increased safety KV/Mex-e



Explosion protection: II 2 G D Eex e II, certificates: PTB 05 ATEX 1068X
Material: polyamide self-extinguishing, protection class: IP66,
Colour: RAL 9001 black
Temperature range: -20 °C to +75 °C

Type	Cat. no.	Qty.	For cable Ø mm	Thread length L, mm	Spanner width AF, mm	TL, mm
KV/Mex-e 16x1.5 BK	17500.4	50	4 – 9	9	20	31-37
KV/Mex-e 20x1.5 BK	17501.4	50	6 – 13	10	24	36-45
KV/Mex-e 25x1.5 BK	17502.4	50	7 – 17	10	29	38-47
KV/Mex-e 32x1.5 BK	17503.4	25	13 – 21	12	36	42-51
KV/Mex-e 40x1.5 BK	17504.4	10	17 – 28	12	46	52-65
KV/Mex-e 50x1.5 BK	17505.4	4	23 – 35	14	55	59-72
KV/Mex-e 63x1.5 BK	17506.4	1	31 – 48	15	68	64-78

ATEX plastic cable glands / metric thread / Intrinsic safety KV/Mex-i



Explosion protection: II 2 G D Eex e II, certificates: PTB 05 ATEX 1068X
Material: polyamide self-extinguishing, protection class: IP66,
Colour: black-blue
Temperature range: -40 °C to +75 °C

Type	Cat. no.	Qty.	For cable Ø mm	Thread length L, mm	Spanner width AF, mm	TL, mm
KV/Mex-i 16x1.5 BU	17500.5	50	4 – 9	9	20	31-37
KV/Mex-i 20x1.5 BU	17501.5	50	6 – 13	10	24	36-45
KV/Mex-i 25x1.5 BU	17502.5	50	7 – 17	10	29	38-47
KV/Mex-i 32x1.5 BU	17503.5	25	13 – 21	12	36	42-51
KV/Mex-i 40x1.5 BU	17504.5	10	17 – 28	12	46	52-65
KV/Mex-i 50x1.5 BU	17505.5	4	23 – 35	14	55	59-72
KV/Mex-i 63x1.5 BU	17506.5	1	31 – 48	15	68	64-78

Metric cable gland systems KV/M

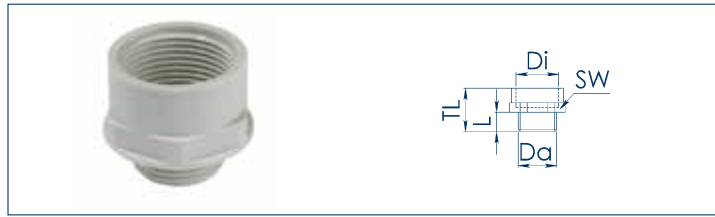
Pressure compensation element: plastic / metric thread DAE



Material: polyamide, seal: TPE, membrane: ePTFE
 Protection class: IP 69, IP68, colour: RAL 7035 light grey
 Temperature range: -40 °C to +100 °C

Type	Cat. no.	Qty.	Corner dimension E, mm	Thread length L, mm	Spanner width AF, mm	TL, mm
DAE/M12 GR	17769.2	10	18	8	16	17.4

Extension – plastic / metric - metric VEM



Material: polyamide glass-fibre reinforced
 Colour: RAL 7035 light grey,
 Temperature range: -40 °C to +100 °C

Type	Cat. no.	Qty.	Outer Ø Da - Inner Ø Di mm	Thread length L, mm	Spanner width AF, mm	TL, mm
VEM 12/16 GR	17607.2	100	12x1.5 - 16x1.5	9	20	27
VEM 16/20 GR	17608.2	100	16x1.5 - 20x1.5	9	24	27
VEM 20/25 GR	17609.2	100	20x1.5 - 25x1.5	9	29	27
VEM 25/32 GR	17610.2	100	25x1.5 - 32x1.5	10	36	28
VEM 32/40 GR	17611.2	50	32x1.5 - 40x1.5	12	46	30
VEM 40/50 GR	17612.2	25	40x1.5 - 50x1.5	12	55	30
VEM 50/63 GR	17613.2	5	50x1.5 - 63x1.5	14	68	32

Plastic reduction element / metric - metric VRM



Material: polyamide glass-fibre reinforced
 Colour: RAL 7035 light grey,
 Temperature range: -40 °C to +100 °C

Type	Cat. no.	Qty.	Outer Ø Da - Inner Ø Di mm	Thread length L, mm	Spanner width AF, mm	TL, mm
VRM 16/12 GR	17614.2	100	16x1.5 - 12x1.5	9	20	16
VRM 20/12 GR	17615.2	100	20x1.5 - 12x1.5	9	24	16
VRM 20/16 GR	17616.2	100	20x1.5 - 16x1.5	9	24	27
VRM 25/12 GR	17617.2	100	25x1.5 - 12x1.5	10	29	17
VRM 25/16 GR	17618.2	100	25x1.5 - 16x1.5	10	29	17
VRM 25/20 GR	17619.2	100	25x1.5 - 20x1.5	10	29	17
VRM 32/16 GR	17620.2	50	32x1.5 - 16x1.5	12	36	19
VRM 32/20 GR	17621.2	50	32x1.5 - 20x1.5	12	36	19
VRM 32/25 GR	17622.2	50	32x1.5 - 25x1.5	12	36	19
VRM 40/20 GR	17623.2	25	40x1.5 - 25x1.5	12	46	19
VRM 40/25 GR	17624.2	25	40x1.5 - 25x1.5	12	46	19
VRM 40/32 GR	17625.2	25	40x1.5 - 32x1.5	12	46	19
VRM 50/25 GR	17626.2	5	50x1.5 - 25x1.5	14	55	21
VRM 50/32 GR	17627.2	5	50x1.5 - 32x1.5	14	55	21
VRM 50/40 GR	17628.2	5	50x1.5 - 40x1.5	14	55	21
VRM 63/32 GR	17629.2	5	63x1.5 - 32x1.5	15	65	22
VRM 63/40 GR	17630.2	5	63x1.5 - 40x1.5	15	65	22
VRM 63/50 GR	17631.2	5	63x1.5 - 50x1.5	15	65	22

Plastic locknuts / metric thread S/M



Material: polyamide glass-fibre reinforced
 Colour variant (-4) RAL 9005 black
 Temperature range: -40 °C to +100 °C

Type	Cat. no.	Qty.	Spanner width AF, mm	TL, mm
S/M 12 x 1.5 GR	4140.2	100	18	5
S/M 12 x 1.5 BK	4140.4	100	18	5
S/M 16 x 1.5 GR	4141.2	100	22	5
S/M 16 x 1.5 BK	4141.4	100	22	5
S/M 20 x 1.5 GR	4142.2	100	27	5
S/M 20 x 1.5 BK	4142.4	100	27	5
S/M 25 x 1.5 GR	4143.2	100	32	6
S/M 25 x 1.5 BK	4143.4	100	32	6
S/M 32 x 1.5 GR	4144.2	100	40	6
S/M 32 x 1.5 BK	4144.4	100	40	6
S/M 40 x 1.5 GR	4145.2	50	50	7
S/M 40 x 1.5 BK	4145.4	50	50	7
S/M 50 x 1.5 GR	4146.2	50	60	7
S/M 50 x 1.5 BK	4146.4	50	60	7
S/M 63 x 1.5 GR	4147.2	50	75	7
S/M 63 x 1.5 BK	4147.4	50	75	7

Metric cable gland systems KV/M

Plastic screw plugs / metric thread V/M



Material: polyamide glass-fibre reinforced, protection class: IP 56,
Colour: RAL 7035 light grey,
Temperature range: -40 °C to +100 °C

Type	Cat. no.	Qty.	Head Ø, mm	Thread length L, mm	TL, mm
V/M 12 x 1.5 GR	4589.2	100	15	6	8
V/M 16 x 1.5 GR	4590.2	100	20	6	9
V/M 20 x 1.5 GR	4591.2	100	24	6	9.5
V/M 25 x 1.5 GR	4592.2	100	30	8	11.5
V/M 32 x 1.5 GR	4593.2	100	37	8	12
V/M 40 x 1.5 GR	4594.2	50	46	8	13
V/M 50 x 1.5 GR	4595.2	50	56	10	15
V/M 63 x 1.5 GR	4596.2	50	70	12	17

Seal plugs for metric thread VS/M



Material: polyethylene
Protection class: IP 54
Colour: grey

Type	Cat. no.	Qty.	For cable Ø mm	Wall thickness, mm
VS/M16 GR	4164.2	100	6 – 10	1.5 – 4.0
VS/M20 GR	4165.2	100	8 – 13.5	1.5 – 4.0
VS/M25 GR	4166.2	50	9 – 16	1.5 – 4.0
VS/M32 GR	4167.2	50	11 – 23	1.5 – 4.0
VS/M40 GR	4168.2	25	17 – 30	1.5 – 4.0

Adjustable nipple for metric thread SN/M



Material: thermo-plastic elastomer
Protection class: IP 55
Colour: grey

Type	Cat. no.	Qty.	For cable Ø mm	Wall thickness, mm
SN/M20 GR	4148.2	100	5 – 16	1.5 – 4.5
SN/M25 GR	4149.2	50	5 – 21	1.5 – 4.5
SN/M32 GR	4150.2	25	13 – 26.5	1.5 – 4.5
SN/M40 GR	4151.2	20	13 – 34	1.5 – 4.5

Double-membrane brackets / metric thread DM/M



Material: thermo-plastic elastomer
Protection: IP66
Colour: grey

Type	Cat. no.	Qty.	For cable Ø mm	Wall thickness, mm
DM/M16 GR	4160.2	50	5 – 9	1.5 – 4.5
DM/M20 GR	4161.2	50	7 – 12	1.5 – 4.5
DM/M25 GR	4162.2	50	9 – 16	1.5 – 4.5
DM/M32 GR	4163.2	25	14 – 21	1.5 – 4.5

Seal bushing for metric thread FDM



Material: EPDM, 55° shore A, protection class: IP66/67,
Colour: RAL 7001 silver grey, colour variants (4) RAL 9005 black
Temperature range: -40 °C to +110 °C

Type	Cat. no.	Qty.	For cable Ø, mm	Wall thickness, mm	Drill holes Ø, mm	TL, mm
FDM 12 GR	17632.6	50	4 – 7	0.5 – 2	12-13	13
FDM 12 BK	17632.4	50	4 – 7	0.5 – 2	12-13	13
FDM 16 GR	17633.6	50	5 – 10	1 – 4	15-17	18
FDM 16 BK	17633.4	50	5 – 10	1 – 4	15-17	18
FDM 20 GR	17634.6	50	8 – 13	1 – 4	18-19	20
FDM 20 BK	17634.4	50	8 – 13	1 – 4	18-19	20
FDM 25 GR	17635.6	50	11 – 17	1 – 4	25-26	21.5
FDM 25 BK	17635.4	50	11 – 17	1 – 4	25-26	21.5
FDM 32 GR	17636.6	25	15 – 21	1 – 4	32-33	25
FDM 32 BK	17636.4	25	15 – 21	1 – 4	32-33	25
FDM 40 GR	17637.6	25	19 – 28	1 – 4	40-41	30
FDM 40 BK	17637.4	25	19 – 28	1 – 4	40-41	30
FDM 50 GR	17638.6	10	27 – 35	1 – 4	50-51	35
FDM 50 BK	17638.4	10	27 – 35	1 – 4	50-51	35

Brass reduction element / metric - metric VRM



Material: nickel-plated brass

Type	Cat. no.	Qty.	Outer Ø Da - Inner Ø Di, mm	Thread length L, mm	TL, mm
VRM-MS 16/12	17707.2	100	16x1.5 - 12x1.5	5	8
VRM-MS 20/12	17708.2	100	20x1.5 - 12x1.5	6	8.5
VRM-MS 20/16	17709.2	100	20x1.5 - 16x1.5	6	8.5
VRM-MS 25/16	17710.2	50	25x1.5 - 16x1.5	7	10
VRM-MS 25/20	17711.2	100	25x1.5 - 20x1.5	7	10
VRM-MS 32/20	17712.2	25	32x1.5 - 20x1.5	8	11.5
VRM-MS 32/25	17713.2	50	32x1.5 - 25x1.5	8	11.5
VRM-MS 40/25	17714.2	25	40x1.5 - 25x1.5	8	11.5
VRM-MS 40/32	17715.2	25	40x1.5 - 32x1.5	8	11.5
VRM-MS 50/32	17716.2	10	50x1.5 - 32x1.5	9	12.5
VRM-MS 50/40	17717.2	25	50x1.5 - 40x1.5	9	12.5
VRM-MS 63/40	17718.2	10	63x1.5 - 40x1.5	10	14
VRM-MS 63/50	17719.2	10	63x1.5 - 50x1.5	10	14

Metric cable gland systems KV/M

Brass cable glands / metric thread KV/M



Material: nickel-plated brass, protection class: IP68 -5-bar,
Seal: EPDM (CR) seal, O-ring at connecting thread
Temperature range: -40 °C to +100 °C

Type	Cat. no.	Qty.	For cable Ø, mm	Thread length L, mm	Spanner width AF, mm	TL, mm
KV/M 12 x 1.5-MS	4169.2	100	3 – 7	5	16	23-30
KV/M 16 x 1.5-MS	4170.2	100	4.5 – 10	5	20	26-34
KV/M 20 x 1.5-MS	4171.2	100	6 – 13	6	24	29-37
KV/M 25 x 1.5-MS	4172.2	50	9 – 17	7	29	33-42
KV/M 32 x 1.5-MS	4173.2	25	13 – 21	8	36	36-44
KV/M 40 x 1.5-MS	4174.2	10	16 – 28	8	46	44-45
KV/M 50 x 1.5-MS	4175.2	5	21 – 35	9	55	51-62
KV/M 63 x 1.5-MS	4176.2	5	34 – 48	10	68	56-67
KV/M 75 x 1.5-MS	4177.2	1	48 – 62	12	82	67-81

Brass screw plugs / metric thread V/M



Material: nickel-plated brass, protection class: IP 54

Type	Cat. no.	Qty.	Head Ø, mm	Thread length L, mm	TL, mm
V/M 12 x 1.5-MS	4178.2	100	16	5	7.5
V/M 16 x 1.5-MS	4179.2	100	20	5	8
V/M 20 x 1.5-MS	4180.2	100	24	6.5	9.5
V/M 25 x 1.5-MS	4181.2	100	28	7	11
V/M 32 x 1.5-MS	4182.2	50	35	8	12
V/M 40 x 1.5-MS	4183.2	50	45	8.5	13
V/M 50 x 1.5-MS	4184.2	25	55	9	15
V/M 63 x 1.5-MS	4185.2	10	68	10	16

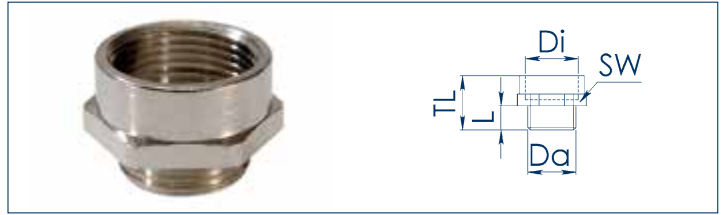
EMC earthing insert to DIN 89345 - brass / metric thread VEE-MS



Material: chrome-plated brass
For use in KV/M brass cable glands

Type	Cat. no.	Qty.	For cable Ø, mm	For cable gland
VEE-MS 12-05	17720.2	1	5	KV/M 12 x 1.5-MS
VEE-MS 16-07	17721.2	1	7.5	KV/M 16 x 1.5-MS
VEE-MS 18-09	17722.2	1	9.5	KV/M 20 x 1.5-MS
VEE-MS 24-16	17723.2	1	16	KV/M 25 x 1.5-MS
VEE-MS 36-20	17724.2	1	20	KV/M 32 x 1.5-MS
VEE-MS 36-26	17725.2	1	26	KV/M 40 x 1.5-MS
VEE-MS 45-33	17726.2	1	33	KV/M 50 x 1.5-MS
VEE-MS 56-45	17727.2	1	45	KV/M 63 x 1.5-MS

Brass extension / metric - metric VEM-MS



Material: nickel-plated brass

Type	Cat. no.	Qty.	Outer Ø Da - Inner Ø Di (mm)	Thread length L, mm	TL, mm
VEM-MS 12/16	17700.2	100	12x1.5 - 16x1.5	5	15
VEM-MS 16/20	17701.2	100	16x1.5 - 20x1.5	5	17
VEM-MS 20/25	17702.2	50	20x1.5 - 25x1.5	6	19
VEM-MS 25/32	17703.2	50	25x1.5 - 32x1.5	7	21
VEM-MS 32/40	17704.2	50	32x1.5 - 40x1.5	8	24
VEM-MS 40/50	17705.2	25	40x1.5 - 50x1.5	8	31
VEM-MS 50/63	17706.2	10	50x1.5 - 63x1.5	9	31

Brass locknuts / metric thread S/M



Material: nickel-plated brass

Type	Cat. no.	Qty.	Spanner width AF, mm	TL, mm
S/M 12 x 1.5-MS	4186.2	100	15	2.8
S/M 16 x 1.5-MS	4187.2	100	19	2.8
S/M 20 x 1.5-MS	4188.2	100	24	3
S/M 25 x 1.5-MS	4189.2	100	30	3.5
S/M 32 x 1.5-MS	4190.2	100	36	4
S/M 40 x 1.5-MS	4191.2	50	46	5
S/M 50 x 1.5-MS	4192.2	50	60	5
S/M 63 x 1.5-MS	4193.2	50	70	6
S/M 75 x 1.5-MS	17737.2	1	80	8

Brass EMC locknuts with teeth / metric thread S/ M



Material: nickel-plated brass

Type	Cat. no.	Qty.	Spanner width AF, mm	TL, mm
S/M 12-MS/EMV	17728.2	100	15	4.7
S/M 16-MS/EMV	17729.2	100	19	4.7
S/M 20-MS/EMV	17730.2	100	24	4.7
S/M 25-MS/EMV	17731.2	100	30	5.2
S/M 32-MS/EMV	17732.2	100	36	5.7
S/M 40-MS/EMV	17733.2	50	46	6.5
S/M 50-MS/EMV	17734.2	50	60	7.7
S/M 63-MS/EMV	17735.2	25	70	6

Metric cable gland systems KV/M

Reducing seal inserts for metric cable glands VRDE



Material: thermo-plastic elastomer, protection class: IP68
 Colour: black, temperature range: -40 °C to +100 °C
 Fits with all metric-sized plastic and brass cable glands.

Type	Cat. no.	Qty.	For cable ø, mm	For cable gland
VRDE 12 BK	17639.4	50	1 – 3	M12
VRDE 16 BK	17640.4	50	2 – 6	M16
VRDE 20 BK	17641.4	50	4 – 8	M20
VRDE 25 BK	17642.4	25	7 – 12	M25
VRDE 32 BK	17643.4	25	9 – 14	M32
VRDE 40 BK	17644.4	10	12 – 20	M40
VRDE 50 BK	17645.4	10	16 – 25	M50
VRDE 63 BK	17646.4	10	28 – 38	M63

Connection-thread sealing rings for metric cable glands D/M



Material: EPDM
 Colour: black, temperature range: -40 °C to +130 °C
 Provides additional sealing for the housing/cable gland connection

Type	Cat. no.	Qty.	TL, mm	For cable gland
D/M 12 BK	17760.4	100	2	M12
D/M 16 BK	17761.4	100	2	M16
D/M 20 BK	17762.4	100	2	M20
D/M 25 BK	17763.4	100	2	M25
D/M 32 BK	17764.4	100	2	M32
D/M 40 BK	17765.4	100	2	M40
D/M 50 BK	17766.4	100	2	M50
D/M 63 BK	17767.4	100	2	M63

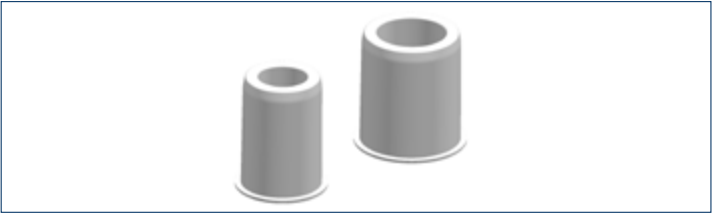
Multiple sealing inserts for metric cable glands VMD



Material: thermo-plastic elastomer, protection class: IP66
 Colour: black, temperature range: -40 °C to +100 °C
 Fits with all metric-sized plastic and brass cable glands.

Type	Cat. no.	Qty.	For cable ø, mm	Number of cables	For cable gland
VMD 12/04/020 BK	17647.4	25	0 – 2	4	M12
VMD 16/02/040 BK	17648.4	25	2 – 4	2	M16
VMD 20/02/060 BK	17649.4	25	4 – 6	2	M20
VMD 20/02/065 BK	17650.4	25	5 – 6.5	2	M20
VMD 20/03/040 BK	17651.4	25	2.5 – 4	3	M20
VMD 25/01/065 BK	17652.4	25	4 – 6.5	1	M25
VMD 25/02/060 BK	17653.4	25	4 – 6	2	M25
VMD 25/02/070 BK	17654.4	25	5 – 7	2	M25
VMD 25/02/080 BK	17655.4	25	6 – 8	2	M25
VMD 25/03/070 BK	17656.4	25	5 – 7	3	M25
VMD 25/04/060 BK	17657.4	25	4 – 6	4	M25
VMD 32/04/070 BK	17658.4	25	5 – 7	4	M32
VMD 32/04/080 BK	17659.4	25	6 – 8	4	M32
VMD 32/06/060 BK	17660.4	25	5 – 6	6	M32
VMD 40/07/070 BK	17661.4	25	5 – 7	7	M40
VMD 40/07/080 BK	17662.4	25	6 – 8	7	M40
VMD 40/08/060 BK	17663.4	25	5 – 6	8	M40
VMD 50/09/080 BK	17664.4	25	6 – 8	9	M50

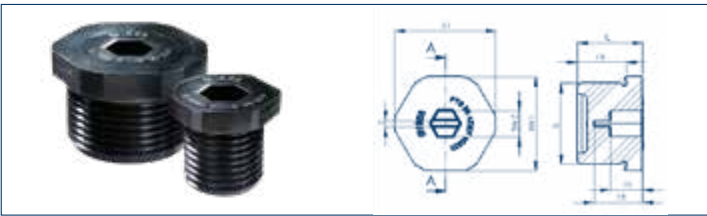
Seal plug KDS/KES-VS



Material: polyamide PA 6.6, protection class: IP66,
 Colour: white, temperature range: -40 °C to +120 °C
 Flammability: UL 94 V-0, halogen-free, silicone-free

Type	Cat. no.	Qty.	For cable ø, mm	Head diameter, mm
KDS/KES-VS 2 WH	28781.7	25	2	5
KDS/KES-VS 3 WH	28782.7	25	3	6
KDS/KES-VS 4 WH	28783.7	25	4	7
KDS/KES-VS 5 WH	28784.7	25	5	8
KDS/KES-VS 6 WH	28785.7	25	6	9
KDS/KES-VS 7 WH	28786.7	25	7	10
KDS/KES-VS 8 WH	28787.7	25	8	11
KDS/KES-VS 9 WH	28788.7	25	9	12
KDS/KES-VS 10 WH	28789.7	25	10	13
KDS/KES-VS 11 WH	28790.7	25	11	14
KDS/KES-VS 12 WH	28791.7	25	12	15
KDS/KES-VS 13 WH	28792.7	25	13	16
KDS/KES-VS 14 WH	28793.7	25	14	17
KDS/KES-VS 15 WH	28794.7	25	15	18
KDS/KES-VS 16 WH	28795.7	25	16	19
KDS/KES-VS 17 WH	28796.7	25	17	20
KDS/KES-VS 22 WH	28797.7	25	22	25

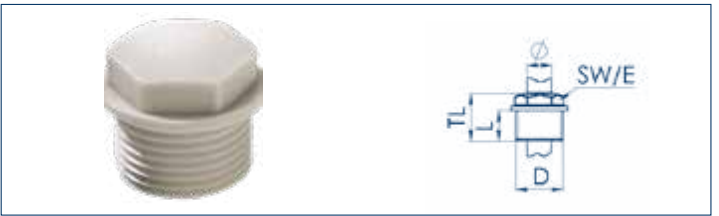
Plastic EX screw plugs / metric thread VSG/MEX



Explosion protection: II 2 G Ex eb IIC GB, certificates: PTB 06 ATEX 1032 X
 Material: polyamide, seal: EPDM, protection class: IP68, colour: RAL 9001 black
 Temperature range: -40 °C to +75 °C

Type	Cat. no.	Qty.	For cable gland	Spanner width AF, mm	TL, mm
VSG/MEX 12 BK	17780.4	100	M12	16	19
VSG/MEX 16 BK	17781.4	100	M16	20	19
VSG/MEX 20 BK	17782.4	100	M20	24	19
VSG/MEX 25 BK	17783.4	100	M25	29	20
VSG/MEX 32 BK	17784.4	50	M32	36	20
VSG/MEX 40 BK	17785.4	30	M40	46	20
VSG/MEX 50 BK	17786.4	30	M50	55	20
VSG/MEX 63 BK	17787.4	30	M63	68	20
VSG/MEX 75 BK	17788.4	30	M75	82	20

Plastic self-sealing grommet nipple / metric thread VMN

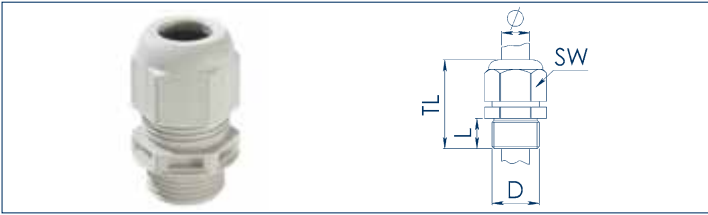


Material: polyethylene, protection class: IP 54,
 Colour: RAL 7035 light grey,
 Temperature range: -20 °C to +80 °C

Type	Cat. no.	Qty.	For cable gland	For cable ø, mm	Spanner width AF, mm	TL, mm
VMN 12 x 1.5 GR	17790.2	100	M12	3.5 – 6	12	17
VMN 16 x 1.5 GR	17791.2	100	M16	5 – 10	15	17
VMN 20 x 1.5 GR	17792.2	50	M20	8 – 13.5	19	20
VMN 25 x 1.5 GR	17793.2	25	M25	9 – 16	24	22
VMN 32 x 1.5 GR	17794.2	20	M32	11 – 22	30	25
VMN 40 x 1.5 GR	17795.2	20	M40	17 – 24	37	28
VMN 50 x 1.5 GR	17796.2	10	M50	22 – 35	46	31
VMN 63 x 1.5 GR	17797.2	5	M63	24 – 43	56	37

Cable gland system KV/PG

Plastic cable glands / PG thread KV/PG



Material: polyamide UL94-VO, protection class: IP68 -5-bar,
 Colour: RAL 7035 light grey, colour variant: RAL 9005 black,
 Seal: EPDM, temperature range: -20°C to +80°C

Type	Cat. no.	Qty.	For cable ø, mm	Thread length L, mm	Spanner width AF, mm	TL, mm
KV/PG 7 GR	4515.2	100	3 – 6	9	15	28-32
KV/PG 7 BK	4515.4	100	3 – 6	9	15	28-32
KV/PG 9 GR	4516.2	100	4 – 8	9	19	32-36
KV/PG 9 BK	4516.4	100	4 – 8	9	19	32-36
KV/PG 11 GR	4517.2	100	5 – 10	9	22	33-39
KV/PG 11 BK	4517.4	100	5 – 10	9	22	33-39
KV/PG 13.5 GR	4518.2	100	6 – 12	10	24	35-41
KV/PG 13.5 BK	4518.4	100	6 – 12	10	24	35-41
KV/PG 16 GR	4519.2	50	8 – 14	11	27	38-44
KV/PG 16 BK	4519.4	50	8 – 14	11	27	38-44
KV/PG 21 GR	4520.2	50	10 – 18	11	33	43-50
KV/PG 21 BK	4520.4	50	10 – 18	11	33	43-50
KV/PG 29 GR	4521.2	20	16 – 25	12	42	47-56
KV/PG 29 BK	4521.4	20	16 – 25	12	42	47-56
KV/PG 36 GR	4522.2	10	22 – 32	14	53	56-65
KV/PG 36 BK	4522.4	10	22 – 32	14	53	56-65
KV/PG 42 GR	4523.2	5	28 – 38	14	60	58-67
KV/PG 42 BK	4523.4	5	28 – 38	14	60	58-67
KV/PG 48 GR	4524.2	4	36 – 44	15	65	60-68
KV/PG 48 BK	4524.4	4	36 – 44	15	65	60-68

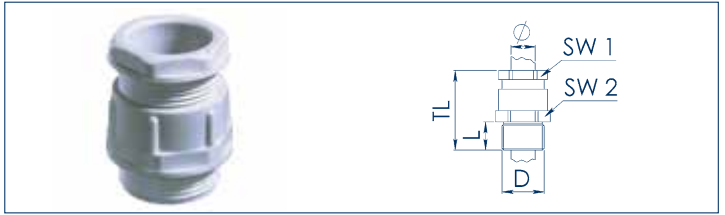
Plastic screw plugs / PG thread V/PG



Material: impact-resistant polystyrene, Protection: IP 56
 Colour: RAL 7035 light grey,
 Temperature range: -20 °C to + 60 °C

Type	Cat. no.	Qty.	Head ø, mm	Thread length L, mm	TL, mm
V/PG 7 GR	4515.6	100	15	6	8
V/PG 9 GR	4516.6	100	19	6	9
V/PG 11 GR	4517.6	100	22	6	9
V/PG 13.5 GR	4518.6	100	25	6	9.5
V/PG 16 GR	4519.6	100	27	6	9.5
V/PG 21 GR	4520.6	100	33	8	11
V/PG 29 GR	4521.6	100	44	8	12
V/PG 36 GR	4522.6	25	55	10	15
V/PG 42 GR	4523.6	25	62	10	16
V/PG 48 GR	4524.6	25	69	12	16

Plastic cable glands / PG thread KVC/PG



Material: polyamide glass-fibre reinforced, protection class: IP 54
 Colour: RAL 7035 light grey, plastic pressure ring
 Temperature range: -20°C to +80°C

Type	Cat. no.	Qty.	For cable ø, mm	Thread length L, mm	Spanner width AF, mm	TL, mm
KVC/PG 7 GR	4525.2	50	3.5 – 6	8	15	28
KVC/PG 9 GR	4526.2	50	4.5 – 7	8	19	30
KVC/PG 11 GR	4527.2	50	6 – 9	8	22	31
KVC/PG 13.5 GR	4528.2	50	9 – 12	9	24	35
KVC/PG 16 GR	4529.2	50	11 – 14	10	27	38
KVC/PG 21 GR	4530.2	25	14 – 18	11	33	43
KVC/PG 29 GR	4531.2	20	18 – 25	11	42	44
KVC/PG 36 GR	4532.2	10	25 – 32	13	53	54
KVC/PG 42 GR	4533.2	10	30 – 38	13	60	57
KVC/PG 48 GR	4534.2	5	38 – 44	15	65	60

Plastic locknuts / PG thread S/PG

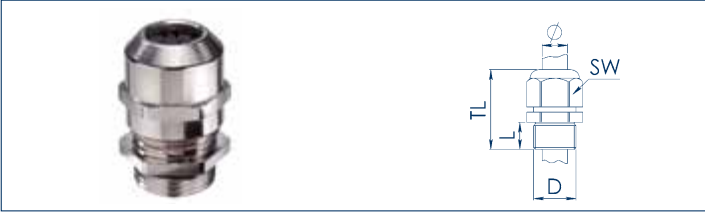


Material: polyamide, glass-fibre reinforced,
 Colour: RAL 7035 light grey
 Temperature range: -40 °C to +100 °C
 Colour variant: RAL 9005 black

Type	Cat. no.	Qty.	Spanner width AF, mm	TL, mm
S/PG 7 GR	4515.8	100	19	5
S/PG 7 BK	4515.0	100	19	5
S/PG 9 GR	4516.8	100	22	5
S/PG 9 BK	4516.0	100	22	5
S/PG 11 GR	4517.8	100	24	5
S/PG 11 BK	4517.0	100	24	5
S/PG 13.5 GR	4518.8	100	27	6
S/PG 13.5 BK	4518.0	100	27	6
S/PG 16 GR	4519.8	100	30	6
S/PG 16 BK	4519.0	100	30	6
S/PG 21 GR	4520.8	100	3	7
S/PG 21 BK	4520.0	100	3	7
S/PG 29 GR	4521.8	100	46	7
S/PG 29 BK	4521.0	100	46	7
S/PG 36 GR	4522.8	25	60	8
S/PG 36 BK	4522.0	25	60	8
S/PG 42 GR	4523.8	25	73	8
S/PG 42 BK	4523.0	25	73	8
S/PG 48 GR	4524.8	10	78	8
S/PG 48 BK	4524.0	10	78	8

Cable gland system KV/PG

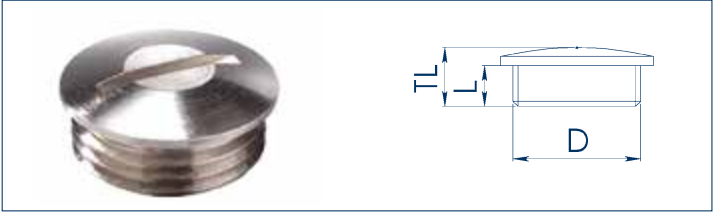
Brass cable glands / PG thread KV/PG



Material: nickel-plated brass, protection class: IP68 -5-bar,
Seal: EPDM, temperature range: -25°C to +80°C

Type	Cat. no.	Qty.	For cable ø, mm	Thread length L, mm	Spanner width AF, mm	TL, mm
KV/PG 7-MS	4535.2	100	3 – 6.5	6	14	23
KV/PG 9-MS	4536.2	100	4 – 8	6	17	29
KV/PG 11-MS	4537.2	50	5 – 10	6.5	20	30
KV/PG 13.5-MS	4538.2	50	6 – 12	6.5	22	32
KV/PG 16-MS	4539.2	50	10 – 14	6	24	32
KV/PG 21-MS	4540.2	50	13 – 18	7	30	35
KV/PG 29-MS	4541.2	25	18 – 25	8	40	40
KV/PG 36-MS	4542.2	10	22 – 32	9	50	45
KV/PG 42-MS	4543.2	5	30 – 38	12	57	48
KV/PG 48-MS	4544.2	5	34 – 44	14	64	50

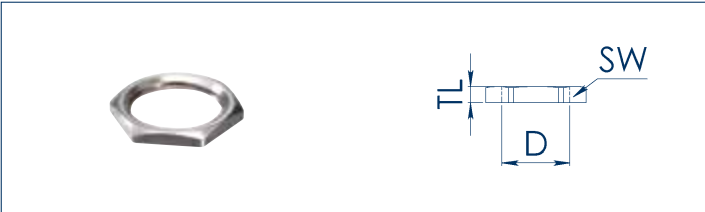
Brass screw plugs / PG thread V/PG



Material: nickel-plated brass, protection class: IP 54

Type	Cat. no.	Qty.	Head Ø, mm	Thread length L, mm	TL, mm
V/PG 7-MS	4535.6	100	14	5	8
V/PG 9-MS	4536.6	100	17	6	9
V/PG 11-MS	4537.6	100	20	6	9
V/PG 13.5-MS	4538.6	100	22	6.5	9.5
V/PG 16-MS	4539.6	100	24	6.5	9.5
V/PG 21-MS	4540.6	100	30	7	11
V/PG 29-MS	4541.6	50	39	8	12
V/PG 36-MS	4542.6	50	50	9	15
V/PG 42-MS	4543.6	25	57	10	16
V/PG 48-MS	4544.6	25	64	10	16

Brass locknuts / PG thread S/PG



Material: nickel-plated brass

Type	Cat. no.	Qty.	Spanner width AF, mm	TL, mm
S/PG 7-MS	4535.8	100	15	2.8
S/PG 9-MS	4536.8	100	18	2.8
S/PG 11-MS	4537.8	100	21	3
S/PG 13.5-MS	4538.8	100	23	3
S/PG 16-MS	4539.8	100	26	3
S/PG 21-MS	4540.8	100	32	3.5
S/PG 29-MS	4541.8	100	41	4
S/PG 36-MS	4542.8	50	51	5
S/PG 42-MS	4543.8	50	60	5
S/PG 48-MS	4544.8	50	64	5.5

Types and catalogue numbers, alphabetic

Type	Cat. no.	Page	Type	Cat. no.	Page	Type	Cat. no.	Page
A			CG-PC 2012/75 OV	31050.2	10	CK 1818/111 OV	4273.3	20
AG/CK 1811-CK 3625	4512.3	29	CG-PC 2012/75 OVT	31051.2	10	CK 1818/111 OVT	4275.3	20
AG/CK 77-CK 1809	4512.2	29	CG-PC 2012/90 OV	31052.2	10	CK 1818/165 MV	4354.3	20
AG/CM/CT (pair)	4510.3	62	CG-PC 2012/90 OVT	31053.2	10	CK 1818/165 MVT	4355.3	20
AG/CP/CA (pair)	4509.6	53, 76	CG-PC 2015/90 OV	31054.2	10	CK 1818/165 OV	4277.3	20
B			CG-PC 2015/90 OVT	31055.2	10	CK 1818/165 OVT	4279.3	20
BS M 3X5	4556.0	53	CG-PC 2516/120 OV	31058.2	10	CK 1818/90 MV	4350.3	20
BS M 4X5	4557.0	53, 76	CG-PC 2516/120 OVT	31059.2	10	CK 1818/90 MVT	4351.3	20
BS M 6X8	4558.0	53, 76	CG-PC 2516/90 OV	31056.2	10	CK 1818/90 OV	4269.3	20
C			CG-PC 2516/90 OVT	31057.2	10	CK 1818/90 OVT	4271.3	20
CA 122/80	4007.0	64	CG-PC 3023/110 OV	31062.2	10	CK 2518/111 MV	4362.3	20
CA 125/57	4004.0	64	CG-PC 3023/110 OVT	31063.2	10	CK 2518/111 MVT	4363.3	20
CA 150/34	4005.0	64	CG-PC 3023/90 OV	31060.2	10	CK 2518/111 OV	4289.3	20
CA 160/90	4010.0	64	CG-PC 3023/90 OVT	31061.2	10	CK 2518/111 OVT	4291.3	20
CA 175/57	4006.0	64	CG-PC 88/55 OV	31032.2	10	CK 2518/165 MV	4364.3	20
CA 200/110	4016.0	64	CG-PC 88/55 OVT	31033.2	10	CK 2518/165 MVT	4365.3	20
CA 220/80	4008.0	64	CG-PC 88/85 OV	31034.2	10	CK 2518/165 OV	4293.3	20
CA 220/90	4009.0	64	CG-PC 88/85 OVT	31035.2	10	CK 2518/165 OVT	4295.3	20
CA 250/52	4014.0	64	CK 1111/66 MV	4328.3	20	CK 2518/215 OV	4297.3	20
CA 260/90	4011.0	64	CK 1111/66 MVT	4329.3	20	CK 2518/215 OVT	4299.3	20
CA 280/100	4438.0	64	CK 1111/66 OV	4225.3	20	CK 2518/63 MV	4356.3	20
CA 280/110	4017.0	64	CK 1111/66 OVT	4227.3	20	CK 2518/63 MVT	4357.3	20
CA 330/110	4018.0	64	CK 1111/90 MV	4330.3	20	CK 2518/63 OV	4194.3	20
CA 330/180	4019.0	64	CK 1111/90 MVT	4331.3	20	CK 2518/63 OVT	4195.3	20
CA 360/80	4015.0	64	CK 1111/90 OV	4229.3	20	CK 2518/84 MV	4358.3	20
CA 360/90	4012.0	64	CK 1111/90 OVT	4231.3	20	CK 2518/84 MVT	4359.3	20
CA 50/30	4000.0	64	CK 1309/57 MV	4332.3	20	CK 2518/84 OV	4196.3	20
CA 560/90	4013.0	64	CK 1309/57 MVT	4333.3	20	CK 2518/84 OVT	4197.3	20
CA 58/34	4001.0	64	CK 1309/57 OV	4233.3	20	CK 2518/90 MV	4360.3	20
CA 75/57	4003.0	64	CK 1309/57 OVT	4235.3	20	CK 2518/90 MVT	4361.3	20
CA 98/34	4002.0	64	CK 1309/81 MV	4334.3	20	CK 2518/90 OV	4285.3	20
CK 1208/55 OV	31004.3	10	CK 1309/81 MVT	4335.3	20	CK 2518/90 OVT	4287.3	20
CG 1208/55 OVT	31005.3	10	CK 1309/81 OV	4237.3	20	CK 3625/111 MV	4366.3	20
CK 1208/85 OV	31006.3	10	CK 1309/81 OVT	4239.3	20	CK 3625/111 MVT	4367.3	20
CG 1208/85 OVT	31007.3	10	CK 1313/75 MV	4336.3	20	CK 3625/111 OV	4301.3	20
CK 1212/55 OV	31008.3	10	CK 1313/75 MVT	4337.3	20	CK 3625/111 OVT	4303.3	20
CG 1212/55 OVT	31009.3	10	CK 1313/75 OV	4241.3	20	CK 3625/165 MV	4368.3	20
CK 1212/85 OV	31010.3	10	CK 1313/75 OVT	4243.3	20	CK 3625/165 MVT	4369.3	20
CG 1212/85 OVT	31011.3	10	CK 1313/99 MV	4338.3	20	CK 3625/165 OV	4305.3	20
CK 1608/55 OV	31012.3	10	CK 1313/99 MVT	4339.3	20	CK 3625/165 OVT	4307.3	20
CG 1608/55 OVT	31013.3	10	CK 1313/99 OV	4245.3	20	CK 77/57 MV	4316.3	20
CK 1608/85 OV	31014.3	10	CK 1313/99 OVT	4247.3	20	CK 77/57 MVT	4317.3	20
CG 1608/85 OVT	31015.3	10	CK 1809/57 MV	4340.3	20	CK 77/57 OV	4201.3	20
CK 1612/90 OV	31016.3	10	CK 1809/57 MVT	4341.3	20	CK 77/57 OVT	4203.3	20
CG 1612/90 OVT	31017.3	10	CK 1809/57 OV	4249.3	20	CK 77/81 MV	4318.3	20
CK 2012/75 OV	31018.3	10	CK 1809/57 OVT	4251.3	20	CK 77/81 MVT	4319.3	20
CG 2012/75 OVT	31019.3	10	CK 1809/81 MV	4342.3	20	CK 77/81 OV	4205.3	20
CK 2012/90 OV	31020.3	10	CK 1809/81 MVT	4343.3	20	CK 77/81 OVT	4207.3	20
CG 2012/90 OVT	31021.3	10	CK 1809/81 OV	4253.3	20	CK 97/57 MV	4320.3	20
CK 2015/90 OV	31022.3	10	CK 1809/81 OVT	4255.3	20	CK 97/57 MVT	4321.3	20
CG 2015/90 OVT	31023.3	10	CK 1811/111 MV	4346.3	20	CK 97/57 OV	4209.3	20
CK 2516/120 OV	31026.3	10	CK 1811/111 MVT	4347.3	20	CK 97/57 OVT	4211.3	20
CG 2516/120 OVT	31027.3	10	CK 1811/111 OV	4261.3	20	CK 97/81 MV	4322.3	20
CK 2516/90 OV	31024.3	10	CK 1811/111 OVT	4263.3	20	CK 97/81 MVT	4323.3	20
CG 2516/90 OVT	31025.3	10	CK 1811/165 MV	4348.3	20	CK 97/81 OV	4213.3	20
CK 3023/110 OV	31030.3	10	CK 1811/165 MVT	4349.3	20	CK 97/81 OVT	4215.3	20
CG 3023/110 OVT	31031.3	10	CK 1811/165 OV	4265.3	20	CK 99/57 MV	4324.3	20
CK 3023/90 OV	31028.3	10	CK 1811/165 OVT	4267.3	20	CK 99/57 MVT	4325.3	20
CG 3023/90 OVT	31029.3	10	CK 1811/90 MV	4344.3	20	CK 99/57 OV	4217.3	20
CK 88/55 OV	31000.3	10	CK 1811/90 MVT	4345.3	20	CK 99/57 OVT	4219.3	20
CG 88/55 OVT	31001.3	10	CK 1811/90 OV	4257.3	20	CK 99/81 MV	4326.3	20
CK 88/85 OV	31002.3	10	CK 1811/90 OVT	4259.3	20	CK 99/81 MVT	4327.3	20
CG 88/85 OVT	31003.3	10	CK 1813/111 MV	31100.3	20, 25	CK 99/81 OV	4221.3	20
CG-PC 1208/55 OV	31036.2	10	CK 1813/111 MVT	31102.3	20, 25	CK 99/81 OVT	4223.3	20
CG-PC 1208/55 OVT	31037.2	10	CK 1813/111 OV	31101.3	20, 25	CK-PC 1111/66 MV	4384.2	30
CG-PC 1208/85 OV	31038.2	10	CK 1813/111 OVT	31103.3	20, 25	CK-PC 1111/66 MVT	4385.2	30
CG-PC 1208/85 OVT	31039.2	10	CK 1813/165 MV	31104.3	20, 25	CK-PC 1111/90 MV	4386.2	30
CG-PC 1212/55 OV	31040.2	10	CK 1813/165 MVT	31106.3	20, 25	CK-PC 1111/90 OVT	4387.2	30
CG-PC 1212/55 OVT	31041.2	10	CK 1813/165 OV	31105.3	20, 25	CK-PC 1309/57 MV	4388.2	30
CG-PC 1212/85 OV	31042.2	10	CK 1813/165 OVT	31107.3	20, 25	CK-PC 1309/57 MVT	4389.2	30
CG-PC 1212/85 OVT	31043.2	10	CK 1813/63 MV	31108.3	20, 25	CK-PC 1309/81 MV	4390.2	30
CG-PC 1608/55 OV	31044.2	10	CK 1813/63 OVT	31109.3	20, 25	CK-PC 1309/81 MVT	4391.2	30
CG-PC 1608/55 OVT	31045.2	10	CK 1813/84 MV	31110.3	20, 25	CK-PC 1313/75 MV	4392.2	30
CG-PC 1608/85 OV	31046.2	10	CK 1813/84 OVT	31111.3	20, 25	CK-PC 1313/75 MVT	4393.2	30
CG-PC 1608/85 OVT	31047.2	10	CK 1813/90 MV	31112.3	20, 25	CK-PC 1313/99 MV	4394.2	30
CG-PC 1612/90 OV	31048.2	10	CK 1813/90 MVT	31113.3	20, 25	CK-PC 1313/99 OVT	4395.2	30
CG-PC 1612/90 OVT	31049.2	10	CK 1813/90 OV	31113.3	20, 25	CK-PC 1809/57 MV	4396.2	30
			CK 1813/90 OVT	31115.3	20, 25	CK-PC 1809/57 MVT	4397.2	30
			CK 1818/111 MV	4352.3	20	CK-PC 1809/81 MV	4398.2	30
			CK 1818/111 MVT	4353.3	20	CK-PC 1809/81 MVT	4399.2	30

Types and catalogue numbers, alphabetic

Type	Cat. no.	Page	Type	Cat. no.	Page	Type	Cat. no.	Page
CK-PC 1811/111 MV	4402.2	30	CP 110/75	4434.1	42	KV/M 32 x 1,5 GR	4577.2	78
CK-PC 1811/111 MVT	4403.2	30	CP 122/90	4024.1	42	KV/M 32 x 1,5-MS	4173.2	81
CK-PC 1811/165 MV	4404.2	30	CP 160/55	4022.1	42	KV/M 40 x 1,5 BK	4578.4	78
CK-PC 1811/165 MVT	4405.2	30	CP 160/75	4435.1	42	KV/M 50 x 1,5 BK	4579.4	78
CK-PC 1811/90 MV	4400.2	30	CP 160/90	4025.1	42	KV/M 50 x 1,5 GR	4579.2	78
CK-PC 1811/90 MVT	4401.2	30	CP 190/55	4023.1	42	KV/M 50 x 1,5-MS	4175.2	81
CK-PC 1813/111 MV	31116.2	30, 36	CP 190/75	4436.1	42	KV/M 16 x 1,5 GR	4574.2	78
CK-PC 1813/111 MVT	31117.2	30, 36	CP 220/90	4026.1	42	KV/M 16 x 1,5-MS	4170.2	81
CK-PC 1813/165 MV	31118.2	30, 36	CP 230/55	4437.1	42	KV/M 40 x 1,5 GR	4578.2	78
CK-PC 1813/165 MVT	31119.2	30, 36	CP 230/75	4198.1	42	KV/M 40 x 1,5-MS	4174.2	81
CK-PC 1813/63 MV	31120.2	30	CP 255/120	4029.1	42	KV/M 63 x 1,5 BK	4580.4	78
CK-PC 1813/84 MV	31121.2	30	CP 260/90	4027.1	42	KV/M 63 x 1,5 GR	4580.2	78
CK-PC 1813/90 MV	31122.2	30	CP 360/90	4028.1	42	KV/M 63 x 1,5-MS	4176.2	81
CK-PC 1813/90 MVT	31123.2	30	CP 400/120	4030.1	42	KV/M 75 x 1,5-MS	4177.2	81
CK-PC 1818/111 MV	4408.2	30	CP 400/120-2	4031.1	42	KV/Mex-e 16 x 1,5 BK	17500.4	78
CK-PC 1818/111 MVT	4409.2	30	CP 55/37	4432.1	42	KV/Mex-e 20 x 1,5 BK	17501.4	78
CK-PC 1818/165 MV	4410.2	30	CP 55/59	4433.1	42	KV/Mex-e 25 x 1,5 BK	17502.4	78
CK-PC 1818/165 MVT	4411.2	30	CP 80/55	4020.1	42	KV/Mex-e 32 x 1,5 BK	17503.4	78
CK-PC 1818/90 MV	4406.2	30	CP 80/75	4439.1	42	KV/Mex-e 40 x 1,5 BK	17504.4	78
CK-PC 1818/90 MVT	4407.2	30	CT 120/5	4083.3	54	KV/Mex-e 50 x 1,5 BK	17505.4	78
CK-PC 1818/90 MVT PV	4413.2	30	CT 120/8	4084.3	54	KV/Mex-e 63 x 1,5 BK	17506.4	78
CK-PC 2518/111 MV	4422.2	30	CT 122/5	4087.3	54	KV/Mex-i 16 x 1,5 BU	17500.5	78
CK-PC 2518/111 MVT	4423.2	30	CT 122/8	4088.3	54	KV/Mex-i 20 x 1,5 BU	17501.5	78
CK-PC 2518/165 MV	4424.2	30	CT 160/5	4085.3	54	KV/Mex-i 25 x 1,5 BK	17502.5	78
CK-PC 2518/165 MVT	4425.2	30	CT 160/8	4086.3	54	KV/Mex-i 32 x 1,5 BU	17503.5	78
CK-PC 2518/63 MV	4412.2	30	CT 200/12	4089.3	54	KV/Mex-i 40 x 1,5 BU	17504.5	78
CK-PC 2518/63 MVT	4414.2	30	CT 200/15	4090.3	54	KV/Mex-i 50 x 1,5 BU	17505.5	78
CK-PC 2518/84 MV	4416.2	30	CT 240	4091.3	54	KV/Mex-i 63 x 1,5 BU	17506.5	78
CK-PC 2518/84 MVT	4418.2	30	CT 240/12	4093.3	54	KV/M-L 12 x 1,5 GR	17599.2	78
CK-PC 2518/90 MV	4420.2	30	CT 240/9	4092.3	54	KV/M-L 16 x 1,5 GR	17600.2	78
CK-PC 2518/90 MVT	4421.2	30	CT 52	4080.3	54	KV/M-L 20 x 1,5 GR	17601.2	78
CK-PC 2518/90 MVT PV	4426.2	30	CT 82/5	4081.3	54	KV/M-L 25 x 1,5 GR	17602.2	78
CK-PC 3625/111 MV	4428.2	30	CT 82/8	4082.3	54	KV/M-L 32 x 1,5 GR	17603.2	78
CK-PC 3625/111 MVT	4429.2	30				KV/M-L 40 x 1,5 GR	17604.2	78
CK-PC 3625/111 MVT PV	4427.2	30				KV/M-L 50 x 1,5 GR	17605.2	78
CK-PC 3625/165 MV	4430.2	30	D			KV/M-L 63 x 1,5 GR	17606.2	78
CK-PC 3625/165 MVT	4431.2	30	DAE/M12 GR	17769.2	79	KV/PG 11 GR	4517.2	83
CK-PC 75/35 MV	4370.2	30	DM/M16 GR	4160.2	80	KV/PG 11-MS	4537.2	84
CK-PC 75/35 MVT	4371.2	30	DM/M20 GR	4161.2	80	KV/PG 13,5 GR	4518.2	83
CK-PC 77/57 MV	4372.2	30	DM/M25 GR	4162.2	80	KV/PG 13,5-MS	4538.2	84
CK-PC 77/57 MVT	4373.2	30	DM/M32 GR	4163.2	80	KV/PG 16 GR	4519.2	83
CK-PC 77/81 MV	4374.2	30	D/M 12 BK	17760.4	82	KV/PG 16-MS	4539.2	84
CK-PC 77/81 MVT	4375.2	30	D/M 16 BK	17761.4	82	KV/PG 21 GR	4520.2	83
CK-PC 97/57 MV	4376.2	30	D/M 20 BK	17762.4	82	KV/PG 21-MS	4540.2	84
CK-PC 97/57 MVT	4377.2	30	D/M 25 BK	17763.4	82	KV/PG 29 GR	4521.2	83
CK-PC 97/81 MV	4378.2	30	D/M 32 BK	17764.4	82	KV/PG 29-MS	4541.2	84
CK-PC 97/81 MVT	4379.2	30	D/M 40 BK	17765.4	82	KV/PG 36 GR	4522.2	83
CK-PC 99/57 MV	4380.2	30	D/M 50 BK	17766.4	82	KV/PG 36-MS	4542.2	84
CK-PC 99/57 MVT	4381.2	30	D/M 63 BK	17767.4	82	KV/PG 42 GR	4523.2	83
CK-PC 99/81 MV	4382.2	30	F			KV/PG 42-MS	4543.2	84
CK-PC 99/81 MVT	4383.2	30	FDM 12 BK	17632.4	80	KV/PG 48 GR	4524.2	83
CM 120/5	4043.2	54	FDM 16 BK	17633.4	80	KV/PG 48-MS	4544.2	84
CM 120/5/DT	4063.2	54	FDM 20 BK	17634.4	80	KV/PG 7 BK	4515.4	83
CM 120/8	4044.2	54	FDM 25 BK	17635.4	80	KV/PG 7 GR	4515.2	83
CM 120/8/DT	4064.2	54	FDM 32 BK	17636.4	80	KV/PG 7-MS	4535.2	84
CM 122/5	4047.2	54	FDM 40 BK	17637.4	80	KV/PG 9 BK	4516.4	83
CM 122/5/DT	4067.2	54	FDM 50 BK	17638.4	80	KV/PG 9 GR	4516.2	83
CM 122/8	4048.2	54	FDM 12 GR	17632.6	80	KV/PG 9-MS	4536.2	84
CM 122/8/DT	4068.2	54	FDM 16 GR	17633.6	80	KVC/PG 11 BK	4517.4	83
CM 160/5	4045.2	54	FDM 20 GR	17634.6	80	KVC/PG 11 GR	4527.2	83
CM 160/5/DT	4065.2	54	FDM 25 GR	17635.6	80	KVC/PG 13,5 BK	4518.4	83
CM 160/8	4046.2	54	FDM 32 GR	17636.6	80	KVC/PG 13,5 GR	4528.2	83
CM 160/8/DT	4066.2	54	FDM 40 GR	17637.6	80	KVC/PG 16 BK	4519.4	83
CM 200/12	4049.2	54	FDM 50 GR	17638.6	80	KVC/PG 16 GR	4529.2	83
CM 200/12/DT	4069.2	54				KVC/PG 21 BK	4520.4	83
CM 200/15	4050.2	54	I			KVC/PG 21 GR	4530.2	83
CM 200/15/DT	4070.2	54	IG/CG	31080.2	19	KVC/PG 29 BK	4521.4	83
CM 240	4051.2	54	K			KVC/PG 29 GR	4531.2	83
CM 240/12	4053.2	54	KV/M 12 x 1,5 BK	4573.4	78	KVC/PG 36 BK	4522.4	83
CM 240/12/DT	4073.2	54	KV/M 12 x 1,5 GR	4573.2	78	KVC/PG 36 GR	4532.2	83
CM 240/9	4052.2	54	KV/M 12 x 1,5-MS	4169.2	81	KVC/PG 42 BK	4523.4	83
CM 240/9/DT	4072.2	54	KV/M 16 x 1,5 BK	4574.4	78	KVC/PG 42 GR	4533.2	83
CM 240/DT	4071.2	54	KV/M 20 x 1,5 BK	4575.4	78	KVC/PG 48 BK	4524.4	83
CM 52	4040.2	54	KV/M 20 x 1,5 GR	4575.2	78	KVC/PG 48 GR	4534.2	83
CM 52/DT	4060.2	54	KV/M 20 x 1,5-MS	4171.2	81	KVC/PG 7 GR	4525.2	83
CM 82/5	4041.2	54	KV/M 25 x 1,5 BK	4576.4	78	KVC/PG 9 GR	4526.2	83
CM 82/5/DT	4061.2	54	KV/M 25 x 1,5 GR	4576.2	78			
CM 82/8	4042.2	54	KV/M 25 x 1,5-MS	4172.2	81	M		
CM 82/8/DT	4062.2	54	KV/M 32 x 1,5 BK	4577.4	78	MP/A 122	4500.5	76
CP 110/55	4021.1	42				MP/A 125	4500.9	76

Types and catalogue numbers, alphabetic

Type	Cat. no.	Page	Type	Cat. no.	Page	Type	Cat. no.	Page
MP/A 160	4501.9	76	S/M 40 x 1,5-MS	4191.2	81	TS 35 / 188 mm long	4509.0	62
MP/A 175	4501.3	76	S/M 40-MS/EMV	17733.2	81	TS 35 / 208 mm long	4507.3	53, 76
MP/A 2023	4512.6	76	S/M 63 x 1,5 BK	4147.4	79	TS 35 / 214 mm long	4569.0	53
MP/A 220/8/9	4501.7	76	S/M 63 x 1,5 GR	4147.2	79	TS 35/220/CG mm long	31087.0	19
MP/A 260	4502.1	76	S/M 63 x 1,5-MS	4193.2	81	TS 35 / 230 mm long	4509.1	62
MP/A 280	4571.0	76	S/M 63-MS/EMV	17735.2	81	TS 35 / 235 mm long	4508.4	53
MP/A 2823	4512.7	76	S/M 75 x 1,5-MS	17737.2	81	TS 35 / 240 mm long	4508.2	53
MP/A 3323	4512.8	76	S/PG 7 BK	4515.0	83	TS 35 / 248 mm long	4507.5	76
MP/A 360	4502.3	76	S/PG 9 BK	4516.0	83	TS 35 / 264 mm long	4570.0	76
MP/A 362	4512.5	76	S/PG 11 BK	4517.0	83	TS 35/283,5/CG mm long	31088.0	19
MP/A 560	4502.5	76	S/PG 11 GR	4517.8	83	TS 35 / 314 mm long	4560.3	76
MP/A 75	4500.7	76	S/PG 11-MS	4537.8	84	TS 35 / 336 mm long	4559.8	29, 40
MP/CG 1208	31071.2	19	S/PG 13,5 BK	4518.0	83	TS 35 / 338 mm long	4507.6	76
MP/CG 1212	31072.2	19	S/PG 13,5 GR	4518.8	83	TS 35 / 340 mm long	4508.3	53
MP/CG 1608	31073.2	19	S/PG 13,5-MS	4538.8	84	TS 35 / 348 mm long	4572.0	76
MP/CG 1612	31074.2	19	S/PG 16 BK	4519.0	83	TS 35 / 384 mm long	4508.5	53
MP/CG 2012	31075.2	19	S/PG 16 GR	4519.8	83	TS 35 / 545 mm long	4507.7	76
MP/CG 2015	31076.2	19	S/PG 16-MS	4539.8	84	TS 35/66/CG mm long	31081.0	19
MP/CG 2516	31077.2	19	S/PG 21 BK	4520.0	83	TS 35 / 87 mm long	4559.3	29, 40
MP/CG 3023	31078.2	19	S/PG 21 GR	4520.8	83			
MP/CG 88	31070.2	19	S/PG 21-MS	4540.8	84			
MP/CK 1111	4511.3	29, 40	S/PG 29 BK	4521.0	83	V		
MP/CK 1309	4511.4	29, 40	S/PG 29 GR	4521.8	83	V/M 12 x 1,5 GR	4589.2	80
MP/CK 1313	4511.5	29, 40	S/PG 29-MS	4541.8	84	V/M 12 x 1,5-MS	4178.2	81
MP/CK 1809	4511.6	29, 40	S/PG 36 BK	4522.0	83	V/M 20 x 1,5 GR	4591.2	80
MP/CK 1811	4511.7	29, 40	S/PG 36 GR	4522.8	83	V/M 20 x 1,5-MS	4180.2	81
MP/CK 1813	4563.4	29, 40	S/PG 36-MS	4542.8	84	V/M 25 x 1,5 GR	4592.2	80
MP/CK 1818	4511.8	29, 40	S/PG 42 BK	4523.0	83	V/M 25 x 1,5-MS	4181.2	81
MP/CK 2518	4511.9	29, 40	S/PG 42 GR	4523.8	83	V/M 32 x 1,5 GR	4593.2	80
MP/CK 3625	4512.0	29, 40	S/PG 42-MS	4543.8	84	V/M 32 x 1,5-MS	4182.2	81
MP/CK 75	4563.3	40	S/PG 48 BK	4524.0	83	V/M 50 x 1,5 GR	4595.2	80
MP/CK 77	4511.0	40	S/PG 48 GR	4524.8	83	V/M 50 x 1,5-MS	4184.2	81
MP/CK 97	4511.1	40	S/PG 48-MS	4544.8	84	V/M 16 x 1,5 GR	4590.2	80
MP/CK 99	4511.2	40	S/PG 7 GR	4515.8	83	V/M 16 x 1,5-MS	4179.2	81
MP/M-T/120	4505.0	62	S/PG 7-MS	4535.8	84	V/M 40 x 1,5 GR	4594.2	80
MP/M-T/122	4505.4	62	S/PG 9 GR	4516.8	83	V/M 40 x 1,5-MS	4183.2	81
MP/M-T/160	4505.2	62	S/PG 9-MS	4536.8	84	V/M 63 x 1,5 GR	4596.2	80
MP/M-T/200/12	4505.6	62	SN/M20 GR	4148.2	80	V/M 63 x 1,5-MS	4185.2	81
MP/M-T/200/15	4505.8	62	SN/M25 GR	4149.2	80	V/PG 11 GR	4517.6	83
MP/M-T/240	4506.0	62	SN/M32 GR	4150.2	80	V/PG 11-MS	4537.6	84
MP/M-T/52	4504.6	62	SN/M40 GR	4151.2	80	V/PG 13,5 GR	4518.6	83
MP/M-T/82	4504.8	62				V/PG 13,5-MS	4538.6	84
MP/P 110	4500.3	53	T			V/PG 16 GR	4519.6	83
MP/P 122	4503.0	53	TS 15/104/CG mm long	31092.0	19	V/PG 16-MS	4539.6	84
MP/P 160/5	4501.1	53	TS 15 / 106 mm long	4559.4	29, 40, 53	V/PG 21 GR	4520.6	83
MP/P 160/9	4503.2	53				V/PG 21-MS	4540.6	84
MP/P 190	4502.8	53	TS 15/108/CG mm long	31093.0	19	V/PG 29 GR	4521.6	83
MP/P 220	4503.4	53	TS 15 / 110 mm long	4510.8	62, 76	V/PG 29-MS	4541.6	84
MP/P 260	4503.6	53	TS 15 / 144 mm long	4508.7	62	V/PG 36 GR	4522.6	83
MP/P 360	4503.8	53	TS 15/144/CG mm long	31094.0	19	V/PG 36-MS	4542.6	84
MP/P 400/2	4504.2	53	TS 15 / 147 mm long	4559.6	29, 40	V/PG 42 GR	4523.6	83
MP/P 400/4	4504.4	53	TS 15 / 148 mm long	4508.0	53	V/PG 42-MS	4543.6	84
S			TS 15 / 160 mm long	4507.0	76	V/PG 48 GR	4524.6	83
S/M 12 x 1,5 BK	4140.4	79	TS 15/168/CG mm long	31096.0	19	V/PG 48-MS	4544.6	84
S/M 12 x 1,5 GR	4140.2	79	TS 15 / 178 mm long	4508.1	53	V/PG 7 GR	4515.6	83
S/M 12 x 1,5-MS	4186.2	81	TS 15/184/CG mm long	31095.0	19	V/PG 7-MS	4535.6	84
S/M 12-MS/EMV	17728.2	81	TS 15 / 188 mm long	4508.9	62	V/PG 9 GR	4516.6	83
S/M 20 x 1,5 BK	4142.4	79	TS 15/220/CG mm long	31097.0	19	V/PG 9-MS	4536.6	84
S/M 20 x 1,5 GR	4142.2	79	TS 15/283,5/CG mm long	31098.0	19	VEE-MS 12-05	17720.2	81
S/M 20 x 1,5-MS	4188.2	81	TS 15 / 42 mm long	4567.0	53	VEE-MS 18-09	17722.2	81
S/M 20-MS/EMV	17730.2	81	TS 15 / 45 mm long	4559.0	29, 40	VEE-MS 24-16	17723.2	81
S/M 25 x 1,5 BK	4143.4	79	TS 15 / 61 mm long	4510.7	76	VEE-MS 36-20	17724.2	81
S/M 25 x 1,5 GR	4143.2	79	TS 15/66/CG mm long	31091.0	19	VEE-MS 45-33	17726.2	81
S/M 25 x 1,5-MS	4189.2	81	TS 15 / 68 mm long	4507.8	53, 62	VEE-MS 16-07	17721.2	81
S/M 25-MS/EMV	17731.2	81	TS 15 / 75 mm long	4559.1	29, 40	VEE-MS 36-26	17725.2	81
S/M 32 x 1,5 BK	4144.4	79	TS 15 / 87 mm long	4559.2	29, 40, 76	VEE-MS 56-45	17727.2	81
S/M 32 x 1,5 GR	4144.2	79	TS 15 / 98 mm long	4507.9	53	VEM 12/16 GR	17607.2	79
S/M 32 x 1,5-MS	4190.2	81	TS 35/104/CG mm long	31082.0	19	VEM 16/20 GR	17608.2	79
S/M 32-MS/EMV	17732.2	81	TS 35 / 106 mm long	4559.5	29, 40, 76	VEM 20/25 GR	17609.2	79
S/M 50 x 1,5 BK	4146.4	79				VEM 25/32 GR	17610.2	79
S/M 50 x 1,5 GR	4146.2	79	TS 35 / 108/CG mm long	31083.0	19	VEM 32/40 GR	17611.2	79
S/M 50 x 1,5-MS	4192.2	81	TS 35 / 112 mm long	4508.8	62	VEM 40/50 GR	17612.2	79
S/M 50-MS/EMV	17734.2	81	TS 35 / 144 mm long	4507.4	29, 40, 53, 76	VEM 50/63 GR	17613.2	79
S/M 16 x 1,5 BK	4141.4	79				VEM-MS 16/20	17701.2	81
S/M 16 x 1,5 GR	4141.2	79	TS 35/144/CG mm long	31084.0	19	VEM-MS 20/25	17702.2	81
S/M 16 x 1,5-MS	4187.2	81	TS 35 / 160 mm long	4510.9	76	VEM-MS 25/32	17703.2	81
S/M 16-MS/EMV	17729.2	81	TS 35/168/CG mm long	31086.0	19	VEM-MS 32/40	17704.2	81
S/M 40 x 1,5 BK	4145.4	79	TS 35/184/CG mm long	31085.0	19	VEM-MS 50/63	17706.2	81
S/M 40 x 1,5 GR	4145.2	79	TS 35 / 186 mm long	4560.1	76	VEM-MS 12/16	17700.2	81
						VEM-MS 40/50	17705.2	81
						VMD 12/04/020 BK	17647.4	82

Catalogue numbers and types, numerical

Cat. no.	Type	Page	Cat. no.	Type	Page	Cat. no.	Type	Page
4			4142.2	S/M 20 x 1,5 GR	79	4251.3	CK 1809/57 OVT	20
4000.0	CA 50/30	64	4142.4	S/M 20 x 1,5 BK	79	4253.3	CK 1809/81 OV	20
4001.0	CA 58/34	64	4143.2	S/M 25 x 1,5 GR	79	4255.3	CK 1809/81 OVT	20
4002.0	CA 98/34	64	4143.4	S/M 25 x 1,5 BK	79	4257.3	CK 1811/90 OV	20
4003.0	CA 75/57	64	4144.2	S/M 32 x 1,5 GR	79	4259.3	CK 1811/90 OVT	20
4004.0	CA 125/57	64	4144.4	S/M 32 x 1,5 BK	79	4261.3	CK 1811/111 OV	20
4005.0	CA 150/34	64	4145.2	S/M 40 x 1,5 GR	79	4263.3	CK 1811/111 OVT	20
4006.0	CA 175/57	64	4145.4	S/M 40 x 1,5 BK	79	4265.3	CK 1811/165 OV	20
4007.0	CA 122/80	64	4146.2	S/M 50 x 1,5 GR	79	4267.3	CK 1811/165 OVT	20
4008.0	CA 220/80	64	4146.4	S/M 50 x 1,5 BK	79	4269.3	CK 1818/90 OV	20
4009.0	CA 220/90	64	4147.2	S/M 63 x 1,5 GR	79	4271.3	CK 1818/90 OVT	20
4010.0	CA 160/90	64	4147.4	S/M 63 x 1,5 BK	79	4273.3	CK 1818/111 OV	20
4011.0	CA 260/90	64	4148.2	SN/M20 GR	80	4275.3	CK 1818/111 OVT	20
4012.0	CA 360/90	64	4149.2	SN/M25 GR	80	4277.3	CK 1818/165 OV	20
4013.0	CA 560/90	64	4150.2	SN/M32 GR	80	4279.3	CK 1818/165 OVT	20
4014.0	CA 250/52	64	4151.2	SN/M40 GR	80	4285.3	CK 2518/90 OV	20
4015.0	CA 360/80	64	4160.2	DM/M16 GR	80	4287.3	CK 2518/90 OVT	20
4016.0	CA 200/110	64	4161.2	DM/M20 GR	80	4289.3	CK 2518/111 OV	20
4017.0	CA 280/110	64	4162.2	DM/M25 GR	80	4291.3	CK 2518/111 OVT	20
4018.0	CA 330/110	64	4163.2	DM/M32 GR	80	4293.3	CK 2518/165 OV	20
4019.0	CA 330/180	64	4164.2	VS/M16 GR	80	4295.3	CK 2518/165 OVT	20
4020.1	CP 80/55	42	4165.2	VS/M20 GR	80	4297.3	CK 2518/215 OV	20
4021.1	CP 110/55	42	4166.2	VS/M25 GR	80	4299.3	CK 2518/215 OVT	20
4022.1	CP 160/55	42	4167.2	VS/M32 GR	80	4301.3	CK 3625/111 OV	20
4023.1	CP 190/55	42	4168.2	VS/M40 GR	80	4303.3	CK 3625/111 OVT	20
4024.1	CP 122/90	42	4169.2	KV/M 12 x 1,5-MS	81	4305.3	CK 3625/165 OV	20
4025.1	CP 160/90	42	4170.2	KV/M 16 x 1,5-MS	81	4307.3	CK 3625/165 OVT	20
4026.1	CP 220/90	42	4171.2	KV/M 20 x 1,5-MS	81	4316.3	CK 77/57 MV	20
4027.1	CP 260/90	42	4172.2	KV/M 25 x 1,5-MS	81	4317.3	CK 77/57 MVT	20
4028.1	CP 360/90	42	4173.2	KV/M 32 x 1,5-MS	81	4318.3	CK 77/81 MV	20
4029.1	CP 255/120	42	4174.2	KV/M 40 x 1,5-MS	81	4319.3	CK 77/81 MVT	20
4030.1	CP 400/120	42	4175.2	KV/M 50 x 1,5-MS	81	4320.3	CK 97/57 MV	20
4031.1	CP 400/120-2	42	4176.2	KV/M 63 x 1,5-MS	81	4321.3	CK 97/57 MVT	20
4040.2	CM 52	54	4177.2	KV/M 75 x 1,5-MS	81	4322.3	CK 97/81 MV	20
4041.2	CM 82/5	54	4178.2	V/M 12 x 1,5-MS	81	4323.3	CK 97/81 MVT	20
4042.2	CM 82/8	54	4179.2	V/M 16 x 1,5-MS	81	4324.3	CK 99/57 MV	20
4043.2	CM 120/5	54	4180.2	V/M 20 x 1,5-MS	81	4325.3	CK 99/57 MVT	20
4044.2	CM 120/8	54	4181.2	V/M 25 x 1,5-MS	81	4326.3	CK 99/81 MV	20
4045.2	CM 160/5	54	4182.2	V/M 32 x 1,5-MS	81	4327.3	CK 99/81 MVT	20
4046.2	CM 160/8	54	4183.2	V/M 40 x 1,5-MS	81	4328.3	CK 1111/66 MV	20
4047.2	CM 122/5	54	4184.2	V/M 50 x 1,5-MS	81	4329.3	CK 1111/66 MVT	20
4048.2	CM 122/8	54	4185.2	V/M 63 x 1,5-MS	81	4330.3	CK 1111/90 MV	20
4049.2	CM 200/12	54	4186.2	S/M 12 x 1,5-MS	81	4331.3	CK 1111/90 MVT	20
4050.2	CM 200/15	54	4187.2	S/M 16 x 1,5-MS	81	4332.3	CK 1309/57 MV	20
4051.2	CM 240	54	4188.2	S/M 20 x 1,5-MS	81	4333.3	CK 1309/57 MVT	20
4052.2	CM 240/9	54	4189.2	S/M 25 x 1,5-MS	81	4334.3	CK 1309/81 MV	20
4053.2	CM 240/12	54	4190.2	S/M 32 x 1,5-MS	81	4335.3	CK 1309/81 MVT	20
4060.2	CM 52/DT	54	4191.2	S/M 40 x 1,5-MS	81	4336.3	CK 1313/75 MV	20
4061.2	CM 82/5/DT	54	4192.2	S/M 50 x 1,5-MS	81	4337.3	CK 1313/75 MVT	20
4062.2	CM 82/8/DT	54	4193.2	S/M 63 x 1,5-MS	81	4338.3	CK 1313/99 MV	20
4063.2	CM 120/5/DT	54	4194.3	CK 2518/63 OV	20	4339.3	CK 1313/99 MVT	20
4064.2	CM 120/8/DT	54	4195.3	CK 2518/63 OVT	20	4340.3	CK 1809/57 MV	20
4065.2	CM 160/5/DT	54	4196.3	CK 2518/84 OV	20	4341.3	CK 1809/57 MVT	20
4066.2	CM 160/8/DT	54	4197.3	CK 2518/84 OVT	20	4342.3	CK 1809/81 MV	20
4067.2	CM 122/5/DT	54	4198.1	CP 230/75	42	4343.3	CK 1809/81 MVT	20
4068.2	CM 122/8/DT	54	4201.3	CK 77/57 OV	20	4344.3	CK 1811/90 MV	20
4069.2	CM 200/12/DT	54	4203.3	CK 77/57 OVT	20	4345.3	CK 1811/90 MVT	20
4070.2	CM 200/15/DT	54	4205.3	CK 77/81 OV	20	4346.3	CK 1811/111 MV	20
4071.2	CM 240/DT	54	4207.3	CK 77/81 OVT	20	4347.3	CK 1811/111 MVT	20
4072.2	CM 240/9/DT	54	4209.3	CK 97/57 OV	20	4348.3	CK 1811/165 MV	20
4073.2	CM 240/12/DT	54	4211.3	CK 97/57 OVT	20	4349.3	CK 1811/165 MVT	20
4080.3	CT 52	54	4213.3	CK 97/81 OV	20	4350.3	CK 1818/90 MV	20
4081.3	CT 82/5	54	4215.3	CK 97/81 OVT	20	4351.3	CK 1818/90 MVT	20
4082.3	CT 82/8	54	4217.3	CK 99/57 OV	20	4352.3	CK 1818/111 MV	20
4083.3	CT 120/5	54	4219.3	CK 99/57 OVT	20	4353.3	CK 1818/111 MVT	20
4084.3	CT 120/8	54	4221.3	CK 99/81 OV	20	4354.3	CK 1818/165 MV	20
4085.3	CT 160/5	54	4223.3	CK 99/81 OVT	20	4355.3	CK 1818/165 MVT	20
4086.3	CT 160/8	54	4225.3	CK 1111/66 OV	20	4356.3	CK 2518/63 MV	20
4087.3	CT 122/5	54	4227.3	CK 1111/66 OVT	20	4357.3	CK 2518/63 MVT	20
4088.3	CT 122/8	54	4229.3	CK 1111/90 OV	20	4358.3	CK 2518/84 MV	20
4089.3	CT 200/12	54	4231.3	CK 1111/90 OVT	20	4359.3	CK 2518/84 MVT	20
4090.3	CT 200/15	54	4233.3	CK 1309/57 OV	20	4360.3	CK 2518/90 MV	20
4091.3	CT 240	54	4235.3	CK 1309/57 OVT	20	4361.3	CK 2518/90 MVT	20
4092.3	CT 240/9	54	4237.3	CK 1309/81 OV	20	4362.3	CK 2518/111 MV	20
4093.3	CT 240/12	54	4239.3	CK 1309/81 OVT	20	4363.3	CK 2518/111 MVT	20
4140.2	S/M 12 x 1,5 GR	79	4241.3	CK 1313/75 OV	20	4364.3	CK 2518/165 MV	20
4140.4	S/M 12 x 1,5 BK	79	4243.3	CK 1313/75 OVT	20	4365.3	CK 2518/165 MVT	20
4141.2	S/M 16 x 1,5 GR	79	4245.3	CK 1313/99 OV	20	4366.3	CK 3625/111 MV	20
4141.4	S/M 16 x 1,5 BK	79	4247.3	CK 1313/99 OVT	20	4367.3	CK 3625/111 MVT	20
			4249.3	CK 1809/57 OV	20	4368.3	CK 3625/165 MV	20

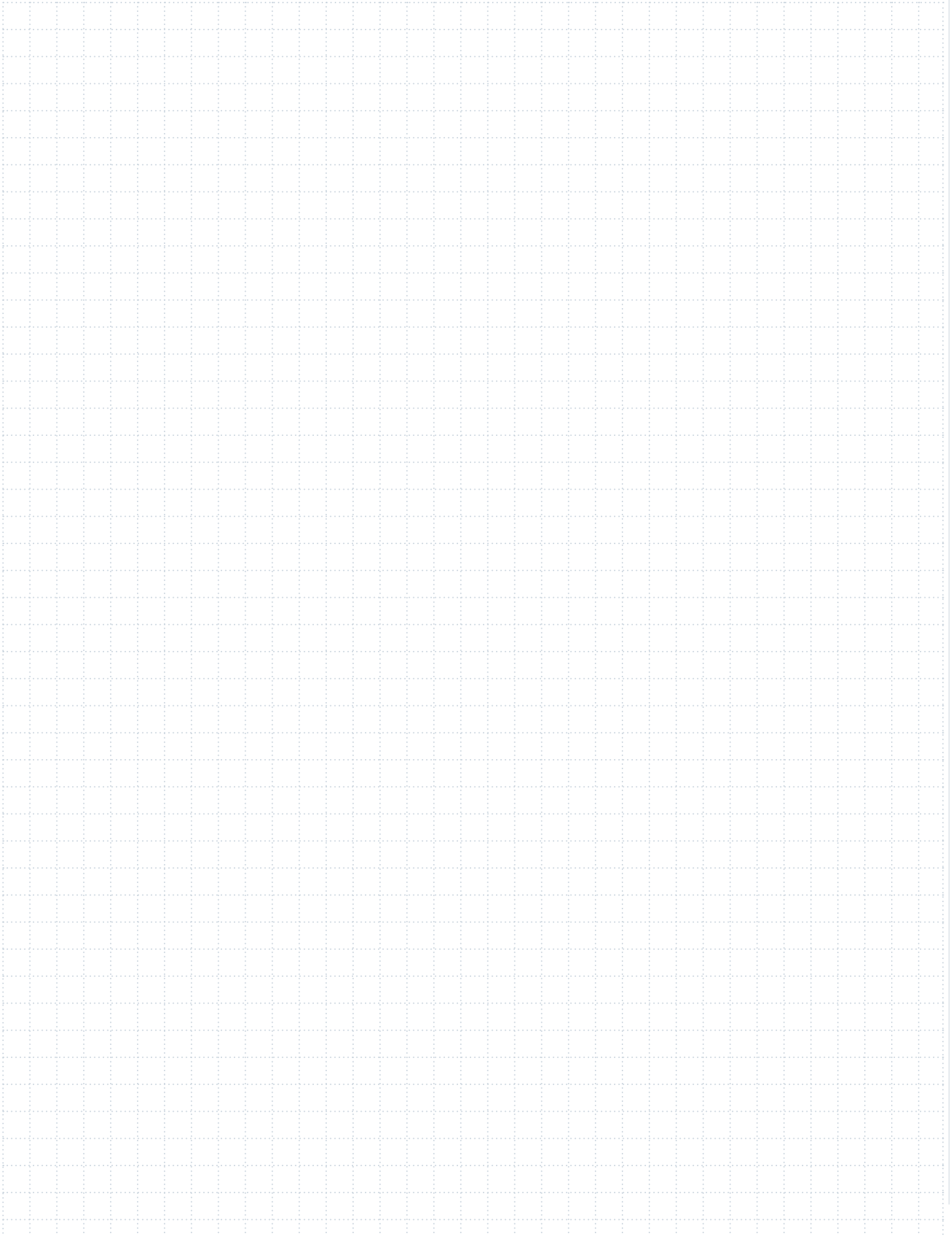
Catalogue numbers and types, numerical

Cat. no.	Type	Page	Cat. no.	Type	Page	Cat. no.	Type	Page
4369.3	CK 3625/165 MVT	20	4503.0	MP/P 122	53	4518.8	S/PG 13,5 GR	83
4370.2	CK-PC 75/35 MV	30	4503.2	MP/P 160/9	53	4519.0	S/PG 16 BK	83
4371.2	CK-PC 75/35 MVT	30	4503.4	MP/P 220	53	4519.2	KV/PG 16 GR	83
4372.2	CK-PC 77/57 MV	30	4503.6	MP/P 260	53	4519.4	KV/PG 16 BK	83
4373.2	CK-PC 77/57 MVT	30	4503.8	MP/P 360	53	4519.6	V/PG 16 GR	83
4374.2	CK-PC 77/81 MV	30	4504.2	MP/P 400/2	53	4519.8	S/PG 16 GR	83
4375.2	CK-PC 77/81 MVT	30	4504.4	MP/P 400/4	53	4520.0	S/PG 21 BK	83
4376.2	CK-PC 97/57 MV	30	4504.6	MP/M-T/52	62	4520.2	KV/PG 21 GR	83
4377.2	CK-PC 97/57 MVT	30	4504.8	MP/M-T/82	62	4520.4	KV/PG 21 BK	83
4378.2	CK-PC 97/81 MV	30	4505.0	MP/M-T/120	62	4520.6	V/PG 21 GR	83
4379.2	CK-PC 97/81 MVT	30	4505.2	MP/M-T/160	62	4520.8	S/PG 21 GR	83
4380.2	CK-PC 99/57 MV	30	4505.4	MP/M-T/122	62	4521.0	S/PG 29 BK	83
4381.2	CK-PC 99/57 MVT	30	4505.6	MP/M-T/200/12	62	4521.2	KV/PG 29 GR	83
4382.2	CK-PC 99/81 MV	30	4505.8	MP/M-T/200/15	62	4521.4	KV/PG 29 BK	83
4383.2	CK-PC 99/81 MVT	30	4506.0	MP/M-T/240	62	4521.6	V/PG 29 GR	83
4384.2	CK-PC 1111/66 MV	30	4507.0	TS 15 / 160 mm long	76	4521.8	S/PG 29 GR	83
4385.2	CK-PC 1111/66 MVT	30	4507.3	TS 35 / 208 mm long	53, 76	4522.0	S/PG 36 BK	83
4386.2	CK-PC 1111/90 MV	30	4507.4	TS 35 / 144 mm long	29, 40, 53, 76	4522.2	KV/PG 36 GR	83
4387.2	CK-PC 1111/90 MVT	30	4507.5	TS 35 / 248 mm long	76	4522.4	KV/PG 36 BK	83
4388.2	CK-PC 1309/57 MV	30	4507.6	TS 35 / 338 mm long	76	4522.6	V/PG 36 GR	83
4389.2	CK-PC 1309/57 MVT	30	4507.7	TS 35 / 545 mm long	76	4522.8	S/PG 36 GR	83
4390.2	CK-PC 1309/81 MV	30	4507.8	TS 15 / 68 mm long	53, 62	4523.0	S/PG 42 BK	83
4391.2	CK-PC 1309/81 MVT	30	4507.9	TS 15 / 98 mm long	53	4523.2	KV/PG 42 GR	83
4392.2	CK-PC 1313/75 MV	30	4508.0	TS 15 / 148 mm long	53	4523.4	KV/PG 42 BK	83
4393.2	CK-PC 1313/75 MVT	30	4508.1	TS 15 / 178 mm long	53	4523.6	V/PG 42 GR	83
4394.2	CK-PC 1313/99 MV	30	4508.2	TS 35 / 240 mm long	53	4523.8	S/PG 42 GR	83
4395.2	CK-PC 1313/99 MVT	30	4508.3	TS 35 / 340 mm long	53	4524.0	S/PG 48 BK	83
4396.2	CK-PC 1809/57 MV	30	4508.4	TS 35 / 235 mm long	53	4524.2	KV/PG 48 GR	83
4397.2	CK-PC 1809/57 MVT	30	4508.5	TS 35 / 384 mm long	53	4524.4	KV/PG 48 BK	83
4398.2	CK-PC 1809/81 MV	30	4508.6	TS 15 / 144 mm long	62	4524.6	V/PG 48 GR	83
4399.2	CK-PC 1809/81 MVT	30	4508.7	TS 15 / 112 mm long	62	4524.8	S/PG 48 GR	83
4400.2	CK-PC 1811/90 MV	30	4508.8	TS 35 / 112 mm long	62	4525.2	KVC/PG 7 GR	83
4401.2	CK-PC 1811/90 MVT	30	4508.9	TS 15 / 188 mm long	62	4526.2	KVC/PG 9 GR	83
4402.2	CK-PC 1811/111 MV	30	4509.0	TS 35 / 188 mm long	62	4527.2	KVC/PG 11 GR	83
4403.2	CK-PC 1811/111 MVT	30	4509.1	TS 35 / 230 mm long	62	4528.2	KVC/PG 13,5 GR	83
4404.2	CK-PC 1811/165 MV	30	4509.3	WL/CP/CA short	53, 76	4529.2	KVC/PG 16 GR	83
4405.2	CK-PC 1811/165 MVT	30	4509.4	WL/CP/CA long	53, 76	4530.2	KVC/PG 21 GR	83
4406.2	CK-PC 1818/90 MV	30	4509.6	AG/CP/CA (pair)	53, 76	4531.2	KVC/PG 29 GR	83
4407.2	CK-PC 1818/90 MVT	30	4510.2	WL/CM/CT	62	4532.2	KVC/PG 36 GR	83
4408.2	CK-PC 1818/111 MV	30	4510.3	AG/CM/CT (pair)	62	4533.2	KVC/PG 42 GR	83
4409.2	CK-PC 1818/111 MVT	30	4510.7	TS 15 / 61 mm long	76	4534.2	KVC/PG 48 GR	83
4410.2	CK-PC 1818/165 MV	30	4510.8	TS 15 / 110 mm long	62, 76	4535.2	KV/PG 7-MS	84
4411.2	CK-PC 1818/165 MVT	30	4510.9	TS 35 / 160 mm long	76	4535.6	V/PG 7-MS	84
4412.2	CK-PC 2518/63 MV	30	4511.0	MP/CK 77	40	4535.8	S/PG 7-MS	84
4413.2	CK-PC 1818/90 MVT PV	30	4511.1	MP/CK 97	40	4536.2	KV/PG 9-MS	84
4414.2	CK-PC 2518/63 MVT	30	4511.2	MP/CK 99	40	4536.6	V/PG 9-MS	84
4416.2	CK-PC 2518/84 MV	30	4511.3	MP/CK 1111	29, 40	4536.8	S/PG 9-MS	84
4418.2	CK-PC 2518/84 MVT	30	4511.4	MP/CK 1309	29, 40	4537.2	KV/PG 11-MS	84
4420.2	CK-PC 2518/90 MV	30	4511.5	MP/CK 1313	29, 40	4537.6	V/PG 11-MS	84
4421.2	CK-PC 2518/90 MVT	30	4511.6	MP/CK 1809	29, 40	4537.8	S/PG 11-MS	84
4422.2	CK-PC 2518/111 MV	30	4511.7	MP/CK 1811	29, 40	4538.2	KV/PG 13,5-MS	84
4423.2	CK-PC 2518/111 MVT	30	4511.8	MP/CK 1818	29, 40	4538.6	V/PG 13,5-MS	84
4424.2	CK-PC 2518/165 MV	30	4511.9	MP/CK 2518	29, 40	4538.8	S/PG 13,5-MS	84
4425.2	CK-PC 2518/165 MVT	30	4512.0	MP/CK 3625	29, 40	4539.2	KV/PG 16-MS	84
4426.2	CK-PC 2518/90 MVT PV	30	4512.1	WL/CK	29, 40	4539.6	V/PG 16-MS	84
4427.2	CK-PC 3625/111 MVT PV	30	4512.2	AG/CK 77-CK 1809	29	4539.8	S/PG 16-MS	84
4428.2	CK-PC 3625/111 MV	30	4512.3	AG/CK 1811-CK 3625	29	4540.2	KV/PG 21-MS	84
4429.2	CK-PC 3625/111 MVT	30	4512.5	MP/A 362	76	4540.6	V/PG 21-MS	84
4430.2	CK-PC 3625/165 MV	30	4512.6	MP/A 2023	76	4540.8	S/PG 21-MS	84
4431.2	CK-PC 3625/165 MVT	30	4512.7	MP/A 2823	76	4541.2	KV/PG 29-MS	84
4432.1	CP 55/37	42	4512.8	MP/A 3323	76	4541.6	V/PG 29-MS	84
4433.1	CP 55/59	42	4515.0	S/PG 7 BK	83	4541.8	S/PG 29-MS	84
4434.1	CP 110/75	42	4515.2	KV/PG 7 GR	83	4542.2	KV/PG 36-MS	84
4435.1	CP 160/75	42	4515.4	KV/PG 7 BK	83	4542.6	V/PG 36-MS	84
4436.1	CP 190/75	42	4515.6	V/PG 7 GR	83	4542.8	S/PG 36-MS	84
4437.1	CP 230/55	42	4515.8	S/PG 7 GR	83	4543.2	KV/PG 42-MS	84
4438.0	CA 280/100	64	4516.0	S/PG 9 BK	83	4543.6	V/PG 42-MS	84
4439.1	CP 80/75	42	4516.2	KV/PG 9 GR	83	4543.8	S/PG 42-MS	84
4500.3	MP/P 110	53	4516.4	KV/PG 9 BK	83	4544.2	KV/PG 48-MS	84
4500.5	MP/A 122	76	4516.6	V/PG 9 GR	83	4544.6	V/PG 48-MS	84
4500.7	MP/A 75	76	4516.8	S/PG 9 GR	83	4544.8	S/PG 48-MS	84
4500.9	MP/A 125	76	4517.0	S/PG 11 BK	83	4556.0	BS M 3X5	53
4501.1	MP/P 160/5	53	4517.2	KV/PG 11 GR	83	4557.0	BS M 4X5	53, 76
4501.3	MP/A 175	76	4517.4	KV/PG 11 BK	83	4558.0	BS M 6X8	53, 76
4501.7	MP/A 220/8/9	76	4517.6	V/PG 11 GR	83	4559.0	TS 15 / 45 mm long	29, 40
4501.9	MP/A 160	76	4517.8	S/PG 11 GR	83	4559.1	TS 15 / 75 mm long	29, 40
4502.1	MP/A 260	76	4518.0	S/PG 13,5 BK	83	4559.2	TS 15 / 87 mm long	29, 40, 76
4502.3	MP/A 360	76	4518.2	KV/PG 13,5 GR	83	4559.3	TS 35 / 87 mm long	29, 40
4502.5	MP/A 560	76	4518.4	KV/PG 13,5 BK	83	4559.4	TS 15 / 106 mm long	29, 40, 53
4502.8	MP/P 190	53	4518.6	V/PG 13,5 GR	83			

Catalogue numbers and types, numerical

Cat. no.	Type	Page	Cat. no.	Type	Page	Cat. no.	Type	Page
4559.5	TS 35 / 106 mm long	29, 40, 76	17626.2	VRM 50/25 GR	79	17734.2	S/M 50-MS/EMV	81
4559.6	TS 15 / 147 mm long	29, 40	17627.2	VRM 50/32 GR	79	17735.2	S/M 63-MS/EMV	81
4559.8	TS 35 / 336 mm long	29, 40	17628.2	VRM 50/40 GR	79	17737.2	S/M 75 x 1,5-MS	81
4560.1	TS 35 / 186 mm long	76	17629.2	VRM 63/32 GR	79	17760.4	D/M 12 BK	82
4560.3	TS 35 / 314 mm long	76	17630.2	VRM 63/40 GR	79	17761.4	D/M 16 BK	82
4563.3	MP/CK 75	40	17631.2	VRM 63/50 GR	79	17762.4	D/M 20 BK	82
4563.4	MP/CK 1813	29, 40	17632.4	FDM 12 BK	80	17763.4	D/M 25 BK	82
4567.0	TS 15 / 42 mm long	53	17632.6	FDM 12 GR	80	17764.4	D/M 32 BK	82
4569.0	TS 35 / 214 mm long	53	17633.4	FDM 16 BK	80	17765.4	D/M 40 BK	82
4570.0	TS 35 / 264 mm long	76	17633.6	FDM 16 GR	80	17766.4	D/M 50 BK	82
4571.0	MP/A 280	76	17634.4	FDM 20 BK	80	17767.4	D/M 63 BK	82
4572.0	TS 35 / 348 mm long	76	17634.6	FDM 20 GR	80	17769.2	DAE/M12 GR	79
4573.2	KV/M 12 x 1,5 GR	78	17635.4	FDM 25 BK	80			
4573.4	KV/M 12 x 1,5 BK	78	17635.6	FDM 25 GR	80	31		
4574.2	KV/M 16 x 1,5 GR	78	17636.4	FDM 32 BK	80	3100.3	CK 88/55 OV	10
4574.4	KV/M 16 x 1,5 BK	78	17636.6	FDM 32 GR	80	31001.3	CG 88/55 OVT	10
4575.2	KV/M 20 x 1,5 GR	78	17637.4	FDM 40 BK	80	31002.3	CK 88/85 OV	10
4575.4	KV/M 20 x 1,5 BK	78	17637.6	FDM 40 GR	80	31003.3	CG 88/85 OVT	10
4576.2	KV/M 25 x 1,5 GR	78	17638.4	FDM 50 BK	80	31004.3	CK 1208/55 OV	10
4576.4	KV/M 25 x 1,5 BK	78	17638.6	FDM 50 GR	80	31005.3	CG 1208/55 OVT	10
4577.2	KV/M 32 x 1,5 GR	78	17639.4	VRDE 12 BK	82	31006.3	CK 1208/85 OV	10
4577.4	KV/M 32 x 1,5 BK	78	17640.4	VRDE 16 BK	82	31007.3	CG 1208/85 OVT	10
4578.2	KV/M 40 x 1,5 GR	78	17641.4	VRDE 20 BK	82	31008.3	CK 1212/55 OV	10
4578.4	KV/M 40 x 1,5 BK	78	17642.4	VRDE 25 BK	82	31009.3	CG 1212/55 OVT	10
4579.2	KV/M 50 x 1,5 GR	78	17643.4	VRDE 32 BK	82	31010.3	CK 1212/85 OV	10
4579.4	KV/M 50 x 1,5 BK	78	17644.4	VRDE 40 BK	82	31011.3	CG 1212/85 OVT	10
4580.2	KV/M 63 x 1,5 GR	78	17645.4	VRDE 50 BK	82	31012.3	CK 1608/55 OV	10
4580.4	KV/M 63 x 1,5 BK	78	17646.4	VRDE 63 BK	82	31013.3	CG 1608/55 OVT	10
4589.2	V/M 12 x 1,5 GR	80	17647.4	VMD 12/04/020 BK	82	31014.3	CK 1608/85 OV	10
4590.2	V/M 16 x 1,5 GR	80	17648.4	VMD 16/02/040 BK	82	31015.3	CG 1608/85 OVT	10
4591.2	V/M 20 x 1,5 GR	80	17649.4	VMD 20/02/060 BK	82	31016.3	CK 1612/90 OV	10
4592.2	V/M 25 x 1,5 GR	80	17650.4	VMD 20/02/065 BK	82	31017.3	CG 1612/90 OVT	10
4593.2	V/M 32 x 1,5 GR	80	17651.4	VMD 20/03/040 BK	82	31018.3	CK 2012/75 OV	10
4594.2	V/M 40 x 1,5 GR	80	17652.4	VMD 25/01/065 BK	82	31019.3	CG 2012/75 OVT	10
4595.2	V/M 50 x 1,5 GR	80	17653.4	VMD 25/02/060 BK	82	31020.3	CK 2012/90 OV	10
4596.2	V/M 63 x 1,5 GR	80	17654.4	VMD 25/02/070 BK	82	31021.3	CG 2012/90 OVT	10
17			17655.4	VMD 25/02/080 BK	82	31022.3	CK 2015/90 OV	10
17500.4	KV/Mex-e 16x1,5 BK	78	17656.4	VMD 25/03/070 BK	82	31023.3	CG 2015/90 OVT	10
17500.5	KV/Mex-i 16x1,5 BU	78	17657.4	VMD 25/04/060 BK	82	31024.3	CK 2516/90 OV	10
17501.4	KV/Mex-e 20 x 1,5 BK	78	17658.4	VMD 32/04/070 BK	82	31025.3	CG 2516/90 OVT	10
17501.5	KV/Mex-i 20 x 1,5 BU	78	17659.4	VMD 32/04/080 BK	82	31026.3	CK 2516/120 OV	10
17502.4	KV/Mex-e 25 x 1,5 BK	78	17660.4	VMD 32/06/060 BK	82	31027.3	CG 2516/120 OVT	10
17502.5	KV/Mex-i 25 x 1,5 BU	78	17661.4	VMD 40/07/070 BK	82	31028.3	CK 3023/90 OV	10
17503.4	KV/Mex-e 32 x 1,5 BK	78	17662.4	VMD 40/07/080 BK	82	31029.3	CG 3023/90 OVT	10
17503.5	KV/Mex-i 32 x 1,5 BU	78	17663.4	VMD 40/08/060 BK	82	31030.3	CK 3023/110 OV	10
17504.4	KV/Mex-e 40 x 1,5 BK	78	17664.4	VMD 50/09/080 BK	82	31031.3	CG 3023/110 OVT	10
17504.5	KV/Mex-i 40 x 1,5 BU	78	17700.2	VEM-MS 12/16	81	31032.2	CG-PC 88/55 OV	10
17505.4	KV/Mex-e 50 x 1,5 BK	78	17701.2	VEM-MS 16/20	81	31033.2	CG-PC 88/55 OVT	10
17505.5	KV/Mex-i 50 x 1,5 BU	78	17702.2	VEM-MS 20/25	81	31034.2	CG-PC 88/85 OV	10
17506.4	KV/Mex-e 63 x 1,5 BK	78	17703.2	VEM-MS 25/32	81	31035.2	CG-PC 88/85 OVT	10
17506.5	KV/Mex-i 63 x 1,5 BU	78	17704.2	VEM-MS 32/40	81	31036.2	CG-PC 1208/55 OV	10
17599.2	KV/M-L 12 x 1,5 GR	78	17705.2	VEM-MS 40/50	81	31037.2	CG-PC 1208/55 OVT	10
17600.2	KV/M-L 16 x 1,5 GR	78	17706.2	VEM-MS 50/63	81	31038.2	CG-PC 1208/85 OV	10
17601.2	KV/M-L 20 x 1,5 GR	78	17707.2	VRM-MS 16/12	80	31039.2	CG-PC 1208/85 OVT	10
17602.2	KV/M-L 25 x 1,5 GR	78	17708.2	VRM-MS 20/12	80	31040.2	CG-PC 1212/55 OV	10
17603.2	KV/M-L 32 x 1,5 GR	78	17709.2	VRM-MS 20/16	80	31041.2	CG-PC 1212/55 OVT	10
17604.2	KV/M-L 40 x 1,5 GR	78	17710.2	VRM-MS 25/16	80	31042.2	CG-PC 1212/85 OV	10
17605.2	KV/M-L 50 x 1,5 GR	78	17711.2	VRM-MS 25/20	80	31043.2	CG-PC 1212/85 OVT	10
17606.2	KV/M-L 63 x 1,5 GR	78	17712.2	VRM-MS 32/20	80	31044.2	CG-PC 1608/55 OV	10
17607.2	VEM 12/16 GR	79	17713.2	VRM-MS 32/25	80	31045.2	CG-PC 1608/55 OVT	10
17608.2	VEM 16/20 GR	79	17714.2	VRM-MS 40/25	80	31046.2	CG-PC 1608/85 OV	10
17609.2	VEM 20/25 GR	79	17715.2	VRM-MS 40/32	80	31047.2	CG-PC 1608/85 OVT	10
17610.2	VEM 25/32 GR	79	17716.2	VRM-MS 50/32	80	31048.2	CG-PC 1612/90 OV	10
17611.2	VEM 32/40 GR	79	17717.2	VRM-MS 50/40	80	31049.2	CG-PC 1612/90 OVT	10
17612.2	VEM 40/50 GR	79	17718.2	VRM-MS 63/40	80	31050.2	CG-PC 2012/75 OV	10
17613.2	VEM 50/63 GR	79	17719.2	VRM-MS 63/50	80	31051.2	CG-PC 2012/75 OVT	10
17614.2	VRM 16/12 GR	79	17720.2	VEE-MS 12-05	81	31052.2	CG-PC 2012/90 OV	10
17615.2	VRM 20/12 GR	79	17721.2	VEE-MS 16-07	81	31053.2	CG-PC 2012/90 OVT	10
17616.2	VRM 20/16 GR	79	17722.2	VEE-MS 18-09	81	31054.2	CG-PC 2015/90 OV	10
17617.2	VRM 25/12 GR	79	17723.2	VEE-MS 24-16	81	31055.2	CG-PC 2015/90 OVT	10
17618.2	VRM 25/16 GR	79	17724.2	VEE-MS 36-20	81	31056.2	CG-PC 2516/90 OV	10
17619.2	VRM 25/20 GR	79	17725.2	VEE-MS 36-26	81	31057.2	CG-PC 2516/90 OVT	10
17620.2	VRM 32/16 GR	79	17726.2	VEE-MS 45-33	81	31058.2	CG-PC 2516/120 OV	10
17621.2	VRM 32/20 GR	79	17727.2	VEE-MS 56-45	81	31059.2	CG-PC 2516/120 OVT	10
17622.2	VRM 32/25 GR	79	17728.2	S/M 12-MS/EMV	81	31060.2	CG-PC 3023/90 OV	10
17623.2	VRM 40/20 GR	79	17729.2	S/M 16-MS/EMV	81	31061.2	CG-PC 3023/90 OVT	10
17624.2	VRM 40/25 GR	79	17730.2	S/M 20-MS/EMV	81	31062.2	CG-PC 3023/110 OV	10
17625.2	VRM 40/32 GR	79	17731.2	S/M 25-MS/EMV	81	31063.2	CG-PC 3023/110 OVT	10
			17732.2	S/M 32-MS/EMV	81	31070.2	MP/CG 88	19
			17733.2	S/M 40-MS/EMV	81	31071.2	MP/CG 1208	19

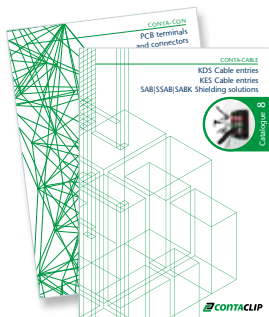
Notes



Otto-Hahn-Str. 7
D-33161 Hövelhof,
Germany

Phone +49 (0) 5257 9833-0
Fax +49 (0) 5257 9833-33

info@conta-clip.com
www.conta-clip.com



Our products for your challenges:

01 CONTA-CONNECT
Terminal blocks
with push-in connection system
Cat. no. 98070.2

02 CONTA-CONNECT
Terminal blocks with screw connection
system and special purpose terminals
Cat. no. 98071.2

03 CONTA-CONNECT
Terminal blocks with tension-spring
connection system
Cat. no. 98072.2

04 CONTA-CONNECT
Installation materials and
other accessories for terminal blocks
Cat. no. 98073.2

05 CONTA-LABEL
Marking components
for thermal-transfer marking systems
Cat. no. 98074.2

06 CONTA-LABEL
Marking components
for ink-based marking systems
Cat. no. 98075.2

07 CONTA-BOX
Housings
Cat. no. 98076.2

08 CONTA-CABLE
KDS cable entries, KES cable entries,
SAB|SSAB|SABK shielding solutions
Cat. no. 98077.2

09 CONTA-ELECTRONICS
Electrical and electronic cabinet components
Cat. no. 98078.2

10 CONTA-CON
PCB terminals and connectors
Cat. no. 98079.2